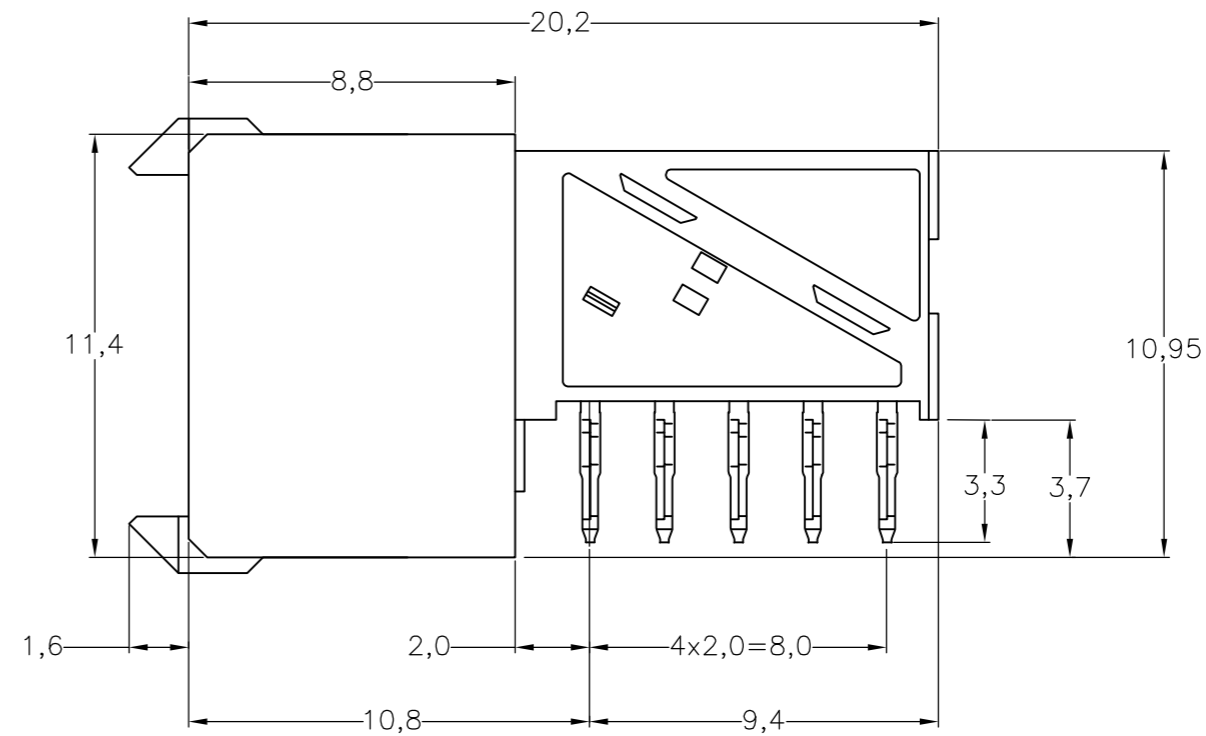
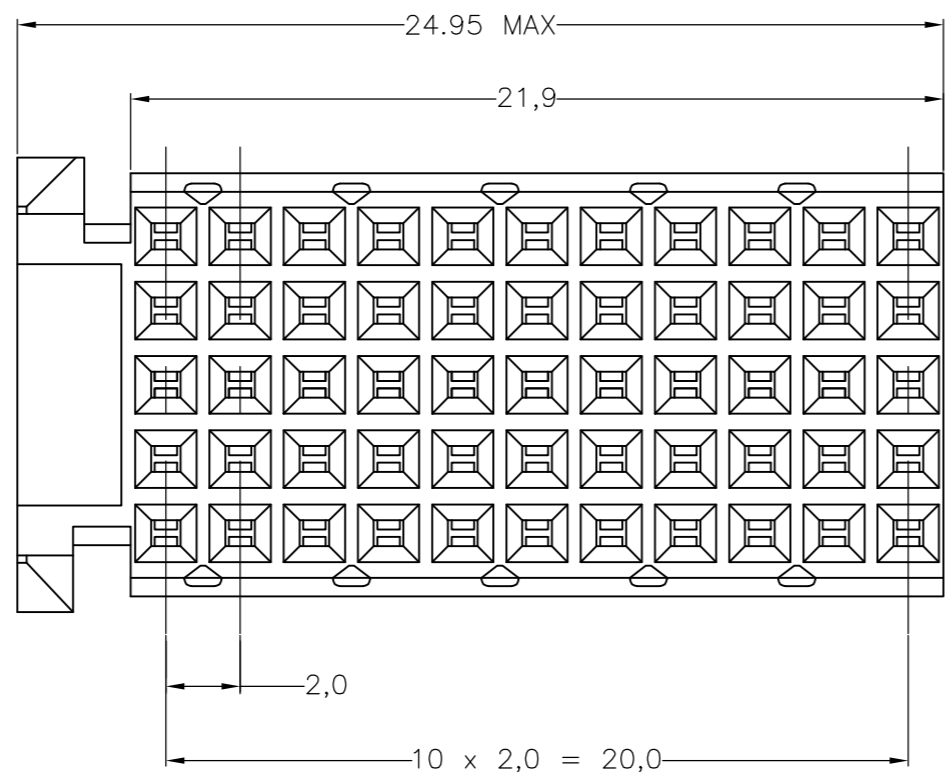
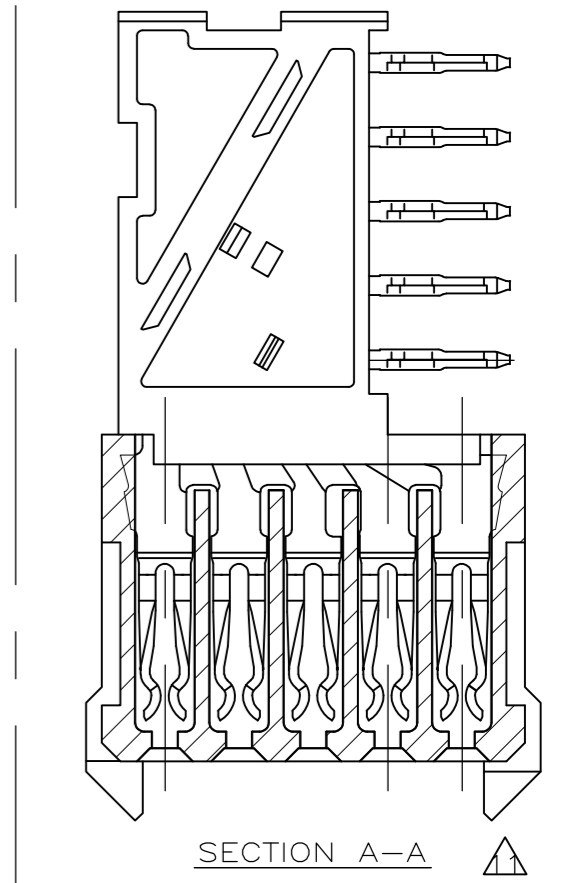
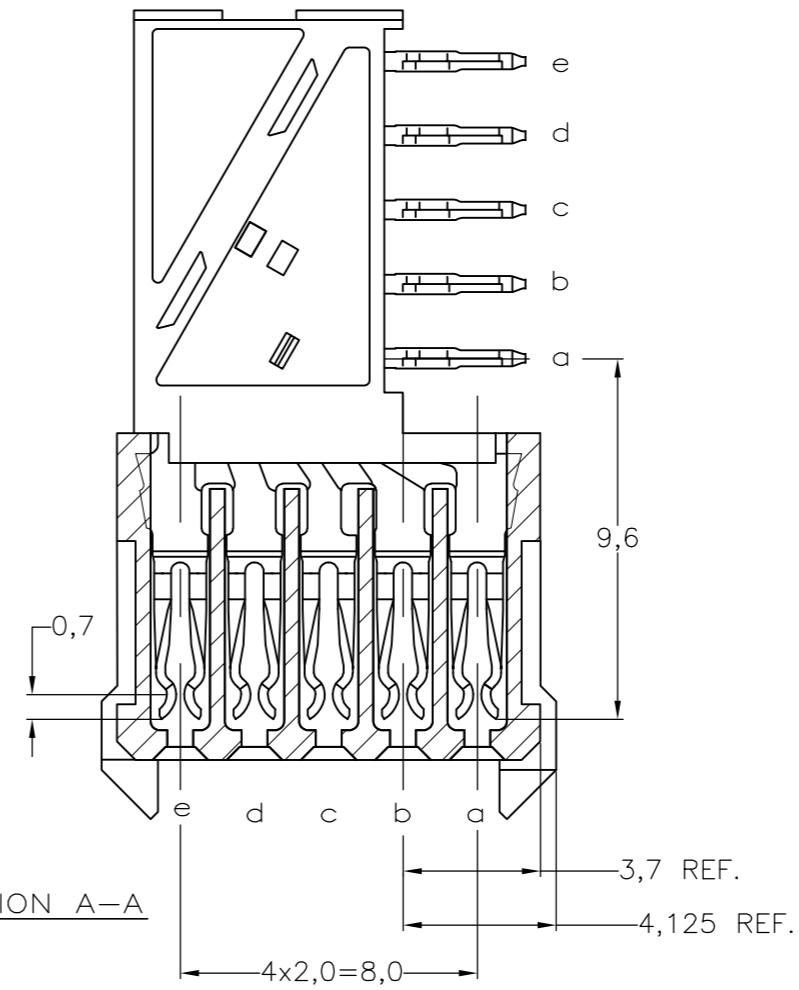
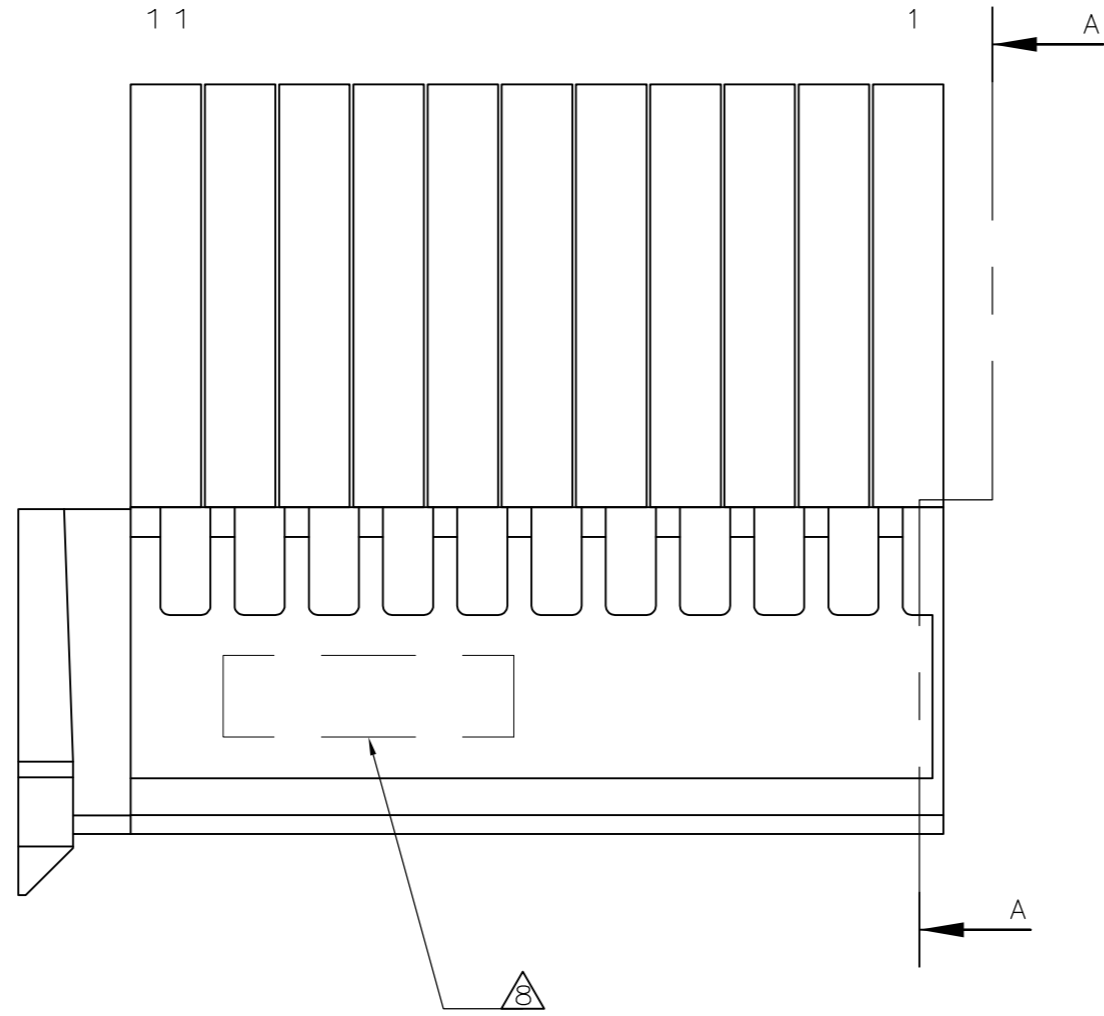
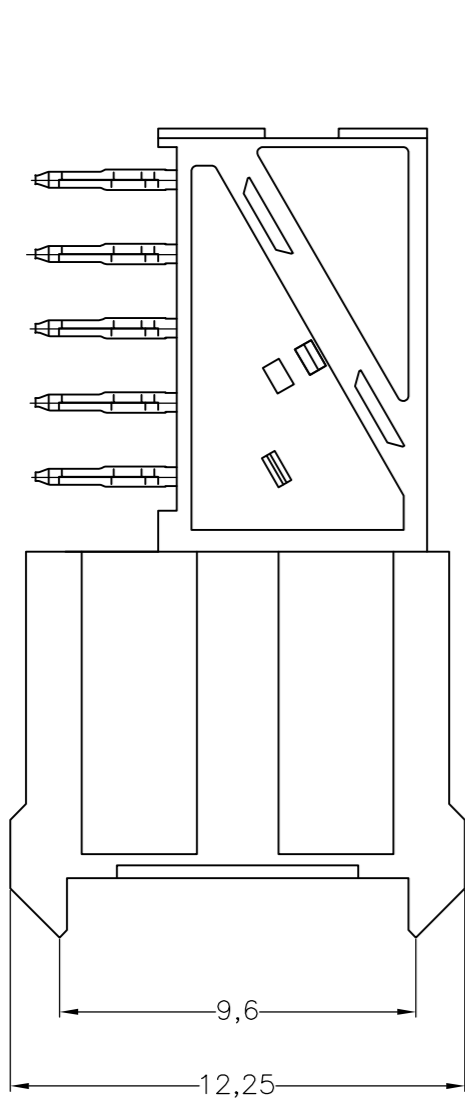


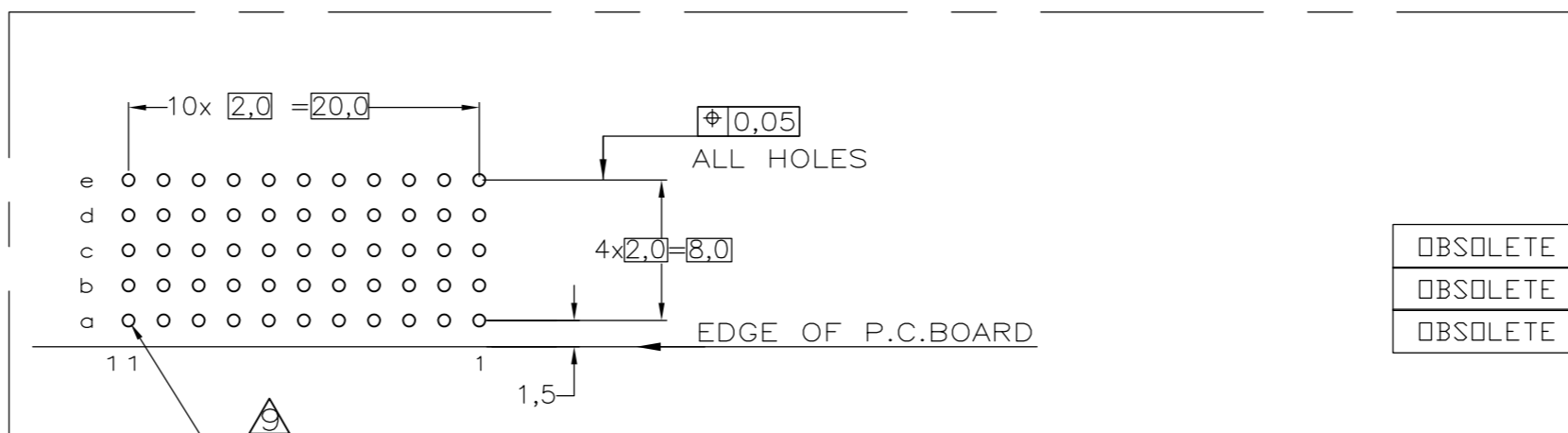
THIS DRAWING IS UNPUBLISHED. RELEASED FOR PUBLICATION
 © COPYRIGHT - By - ALL RIGHTS RESERVED.

| REVISIONS | | | | |
|-----------|-----|---------------|-----------|-------|
| P | LTR | DESCRIPTION | DATE | APVD |
| S | | ECR-16-013249 | 07JUL2017 | FL SY |



NOTES:

- △ MATERIAL CONTACT; PHOSPHORBRONZE
MATERIAL HOUSING; GLASSFILLED POLYESTER (GRAY)
UL-RATING 94V0.
- △ GENERAL PLATING SPECIFICATION: UNDERPLATING (ENTIRE CONTACT): 1,27µm NICKEL MIN.
AND ACTION PIN: 0,5µm TIN-LEAD MIN.
FOR PLATING OF MATING SURFACES SEE APPLICABLE SPECIFICATION REFERENCE FOR EACH DASH NUMBER.
- △ CONFORMS TO ALL TESTING ACCORDING IEC 61076-4-101 PERFORMANCE LEVEL 2.
- △ CONFORMS TO ALL TESTING ACCORDING IEC 61076-4-101 PERFORMANCE LEVEL 1.
- △ CONNECTOR TESTED AND QUALIFIED AGAINST TELCORDIA GR-1217-CORE QUALITY LEVEL III, CENTRAL OFFICE APPLICATIONS.
- △ CONNECTOR TESTED AND QUALIFIED AGAINST TELCORDIA GR-1217-CORE QUALITY LEVEL III, UNCONTROLLED ENVIRONMENT APPLICATIONS.
- △ CONNECTOR LUBRICATED WITH TELCORDIA GR-1217-CORE APPROVED LUBRICANT.
- △ CONNECTOR PRINTED WITH PARTNUMBER AND DATECODE
THE MARKING CAN APPEAR ON THE FRONT SIDE OR ON THE BACK SIDE.
- △ PLATED-THROUGH HOLES AT 2x2mm SQUARE GRID. 55 HOLES
- 10 FITS WITH INTEGRATED GROUND RETURN UPPERSHIELD, BASIC P.N. 352111
AND INTEGRATED GROUND RETURN LOWERSHIELD, BASIC P.N. 352112
- △ CONNECTOR ASSEMBLED WITH REDESIGNED CONTACTS.
CONTACTS HAVE A CORING-OUT IN THE PLASTIC.
- △ 0.76µm MIN GOLD PLATING AT MATING SURFACES.



SCALE 2,5:1
 COMPONENT SIDE AS SHOWN
 RECOMMENDED PCB-HOLE LAY-OUT

P.C.B. HOLE DIM. ACTION PIN
 FOR DETAILS SEE
 APPLICATION SPECIFICATION

| | | | |
|----------|--------|----------|-------------|
| OBSOLETE | △△△ | △ | 3-100161-0 |
| OBSOLETE | △△△ | △ | 1-100161-9 |
| OBSOLETE | △△△ | △ | 100161-9 |
| | △△△ | △ | 100161-4 |
| | △△ | △ | 100161-1 |
| | FINISH | MATERIAL | PART NUMBER |

| | | | | |
|--|--|-------------------------------------|--|---------------|
| THIS DRAWING IS A CONTROLLED DOCUMENT. | | DWN F.V.KONINGSBRUGGE 20JAN97 | TE Connectivity | |
| DIMENSIONS: mm | | CHK W.V.D.HEIJDEN 20JAN97 | Z-PACK 2MM HM TYPE C 55 POS. FEMALE CONNECTOR | |
| TOLERANCES UNLESS OTHERWISE SPECIFIED: ±0.2 | | APVD F.V.KONINGSBRUGGE | NAME | RESTRICTED TO |
| MATERIAL | | PRODUCT SPEC 108-19082 | SIZE | SCALE |
| | | APPLICATION SPEC 114-19029 | CAGE CODE | SHEET |
| | | WEIGHT 0.000000 | DRAWING NO A2 00779 | 1 of 1 |
| | | CUSTOMER DRAWING | SCALE NTS | REV S |

X-ON Electronics

Largest Supplier of Electrical and Electronic Components

Click to view similar products for [Hard Metric Connectors](#) category:

Click to view products by [TE Connectivity](#) manufacturer:

Other Similar products are found below :

[6345127-1](#) [646916-9](#) [6469658-1](#) [973108](#) [1-2000713-0](#) [1-2000713-2](#) [1-2000713-3](#) [1645343-1](#) [1645456-1](#) [1645594-1](#) [1645595-1](#) [1645601-1](#)
[1934822-1](#) [278071110010833](#) [1645179-1](#) [1645245-1](#) [1645457-1](#) [1645525-1](#) [1645570-1](#) [1645596-1](#) [17041102202](#) [1857470-1](#) [1934275-1](#)
[1934289-1](#) [1934759-1](#) [2000673-1](#) [2170292-2](#) [2-536642-6](#) [3-106015-1](#) [352188-1](#) [352629-1](#) [5120823-1](#) [5120899-1](#) [3-100145-0](#) [3-100147-0](#)
[3-100669-1](#) [3-106081-0](#) [HM2DK2368PLF](#) [5646530-1](#) [3-352049-0](#) [3-352069-0](#) [3-352115-0](#) [3-352638-0](#) [352189-1](#) [3-646357-0](#) [3-646487-0](#)
[3-646513-0](#) [104108](#) [106726-1](#) [114352](#)