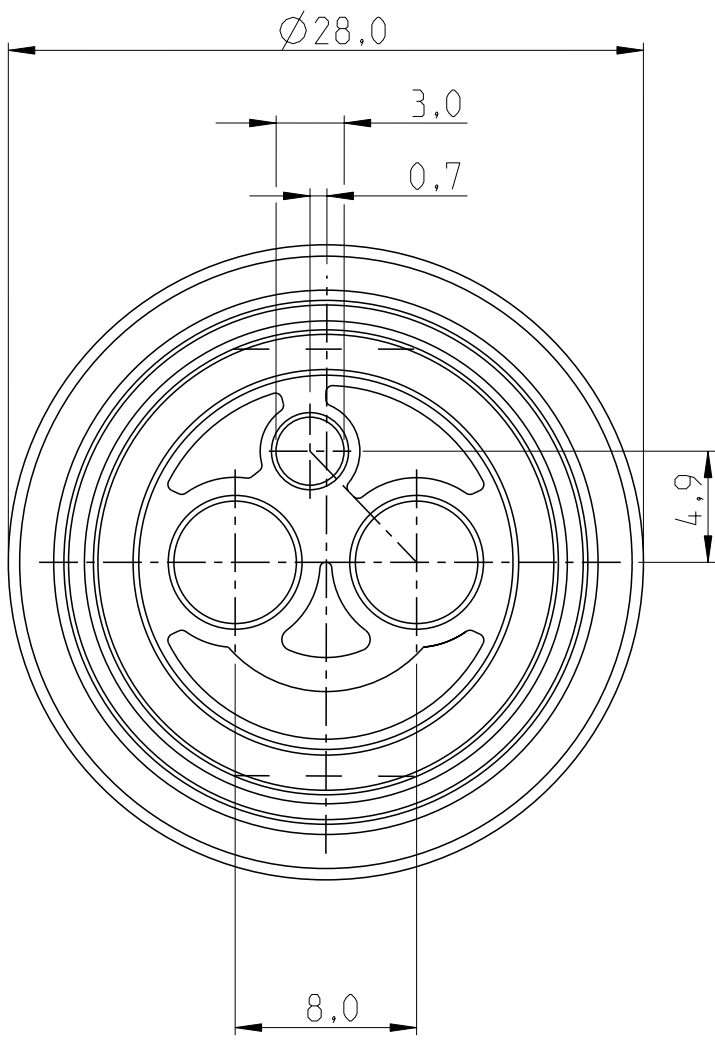
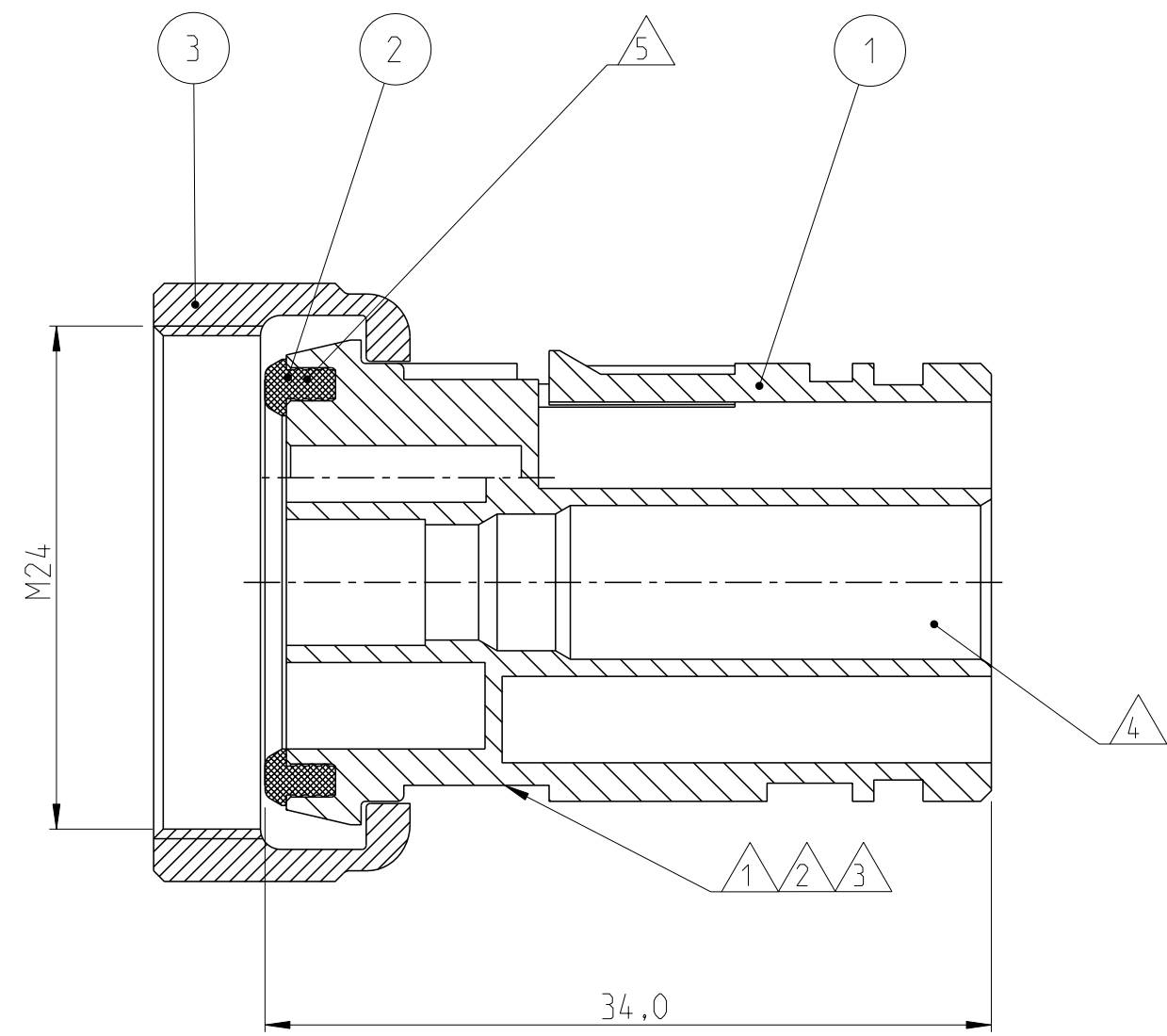


THIS DRAWING IS UNPUBLISHED. RELEASED FOR PUBLICATION. ALL RIGHTS RESERVED.

LOC FM DIST -

REVISIONS					
P	LTR	DESCRIPTION	DATE	DWN	APVD
	A	H-9765	13MAY1992	LvdH	RotB
	B	EH-08960-93	18NOV1993	DK	RotB
	D1	ECR-12-004695	13MAR2012	GB	SzG
	D2	ECR-13-014597	21JAN2014	GB	SzG



NOTES:

- 1 TRADEMARK PER SPEC. 115-19030-3
- 2 TE-IDENTIFICATION NUMBER ACC. DIN 1451 MITTLESCHR. HEIGHT 1.2
- 3 TE-MOLD IDENTIFICATION NUMBER
- 4 CAVITY FOR;
 - 1. 4mm. SOCKET CONTACT WIRE SIZE 0.5-4mm² SEE DRAWING NR.962952-1 NR.962954-1 NR.962956-1
 - 2. SCAT SEE DRAWING NR.963243-1 NR.963244-1
- 5 SEAL BONDED IN INSERT.

-1 AS SHOWN

BRASS	NUT M24	BRASS	100296-1	3
SILICON RUBBER	SEALING RING	BLACK	100294-1	2
PBT	2-POS. HOUSING	BLACK	100287-1	1
MATERIAL	DESCRIPTION	COLOUR/FINISH	PART NO	ITEM

THIS DRAWING IS A CONTROLLED DOCUMENT.		DWN J.v.Liempt 10FEB1992	TE Connectivity											
DIMENSIONS: mm		CHK R.o.t.Berg 10FEB1992												
TOLERANCES UNLESS OTHERWISE SPECIFIED:		APVD L.v.Soest 24NOV1993												
<table border="0"> <tr> <td>0 PLC</td><td>±</td></tr> <tr> <td>1 PLC</td><td>±0.2</td></tr> <tr> <td>2 PLC</td><td>±0.02</td></tr> <tr> <td>3 PLC</td><td>±0.005</td></tr> <tr> <td>4 PLC</td><td>±</td></tr> <tr> <td>ANGLES</td><td>±°</td></tr> </table>		0 PLC			±	1 PLC	±0.2	2 PLC	±0.02	3 PLC	±0.005	4 PLC	±	ANGLES
0 PLC	±													
1 PLC	±0.2													
2 PLC	±0.02													
3 PLC	±0.005													
4 PLC	±													
ANGLES	±°													
MATERIAL -		FINISH -	NAME ASSY 2 POS HOUSING FOR 4mm SOCKET CONTACT M24 VERSION											
		APPLICATION SPEC -	SIZE A3	CAGE CODE 00779										
		WEIGHT -	DRAWING NO C=100283	RESTRICTED TO -										
CUSTOMER DRAWING			SCALE 3:1	SHEET 1 OF 1										
			REV D2											

X-ON Electronics

Largest Supplier of Electrical and Electronic Components

Click to view similar products for [Circular Metric Connectors](#) category:

Click to view products by [TE Connectivity](#) manufacturer:

Other Similar products are found below :

[600X518037X](#) [6STD15PCR99B70A](#) [8R4000A16M020](#) [8R5000A16M005](#) [1200910002](#) [1203580030](#) [1200910008](#) [1200910011](#) [1300140094](#)
[130203-0054](#) [1300140026](#) [1300150099](#) [RF-12S1N8A90DU](#) [1-3637-600-5205](#) [1612618](#) [21036836414](#) [8R4006A16M010](#) [8R5006A18A120](#)
[1604232](#) [1R3006A20M005](#) [RF-12P1N8A80DU](#) [RF-12P1N8A90DU](#) [41-40011](#) [42-01015](#) [4-22279-4](#) [4-22281-1](#) [4-22284-9](#) [43-00113](#) [43-](#)
[01088](#) [43-01203](#) [41-40013](#) [42-00008](#) [43-00343](#) [43-01032](#) [43-01162](#) [43-10000](#) [600X518050X](#) [SACC-DSI-FS-5P-PG9-L180 SC](#)
[8R5006A16M020](#) [8R5006A16M005](#) [8R4000A16M010](#) [6-22279-3](#) [1605332](#) [N03FA03144](#) [1300140077](#) [43-01338](#) [XS2RD4265](#) [XS2R-](#)
[D426-1](#) [XS8A-0441](#) [859RD04-103R004](#)