

4

3

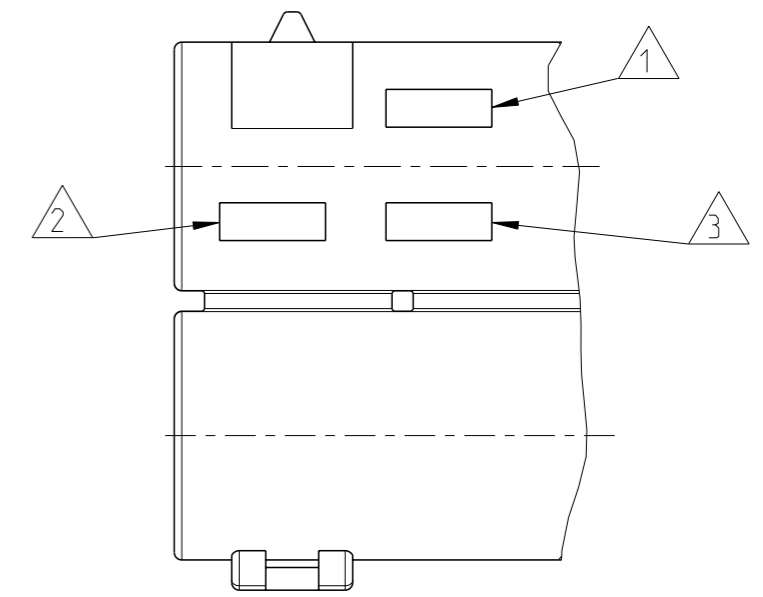
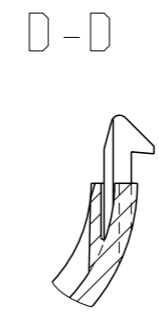
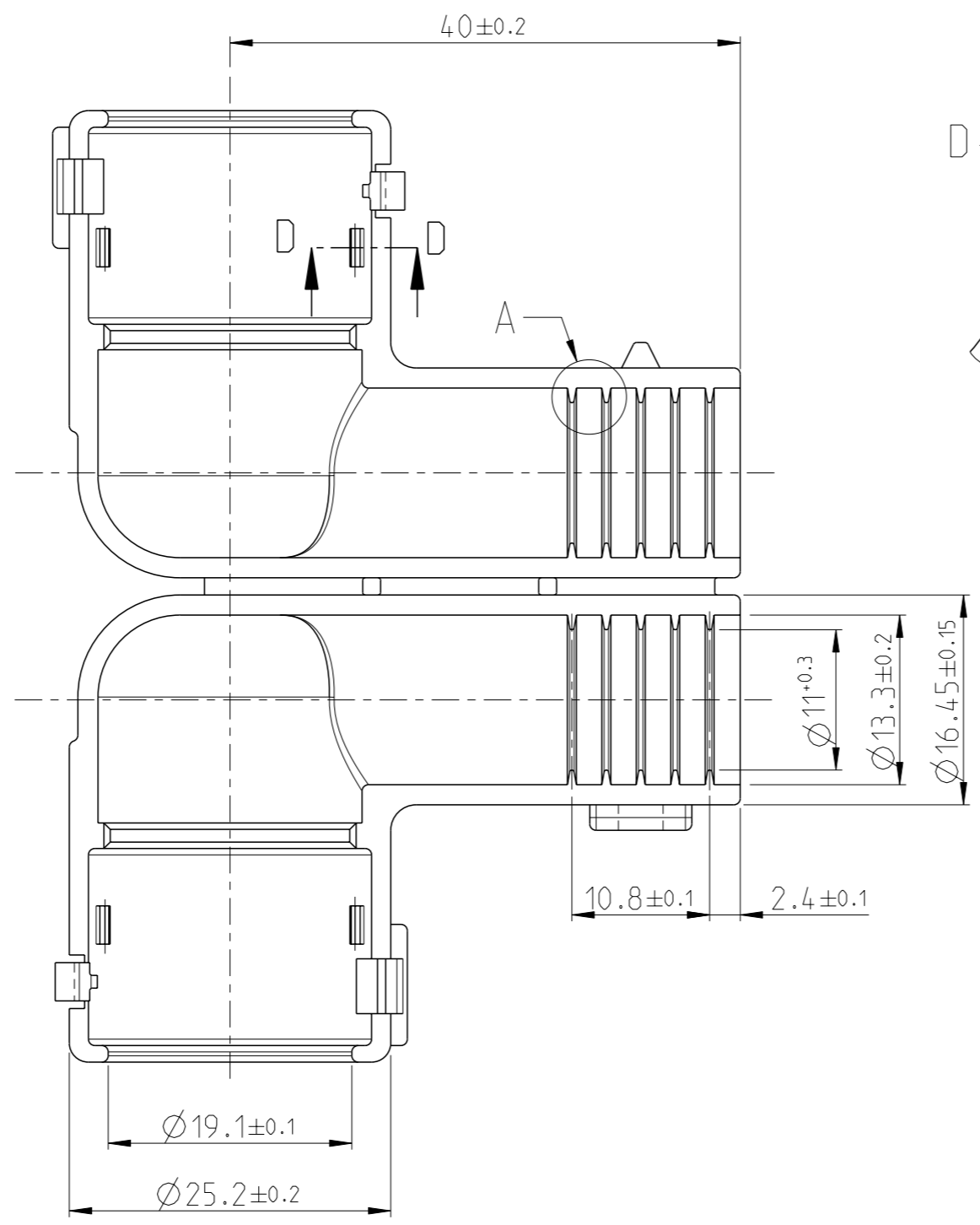
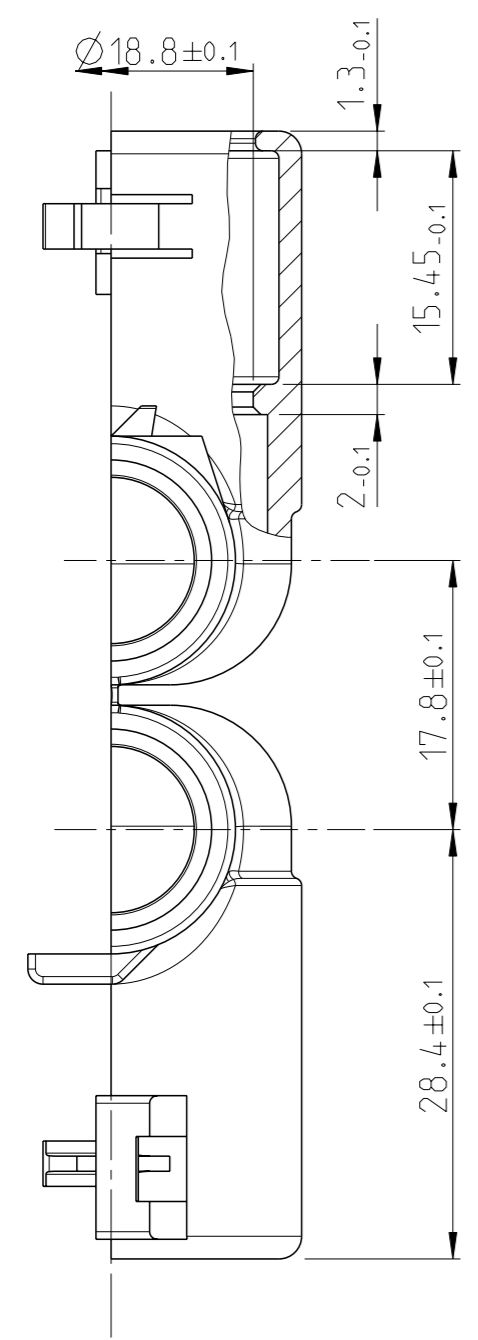
2

1

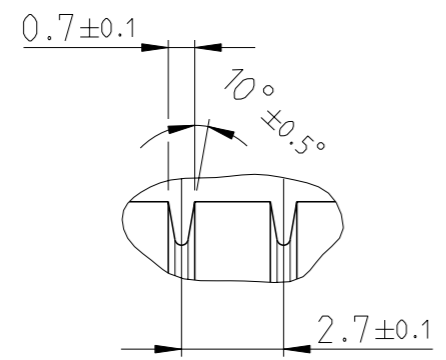
THIS DRAWING IS UNPUBLISHED. RELEASED FOR PUBLICATION 2009
© COPYRIGHT 2009 ALL RIGHTS RESERVED.

LOC FM DIST 1

REVISIONS					
P	LTR	DESCRIPTION	DATE	DWN	APVD
	D	EH-1552-95	19DEC1995	JVL	J.J.
	E	EH-0589-96	22MAY1996	J.Z.	J.J.
	E1	ECR-11-019959	02NOV2011	GN	GB



A
5:1



NOTES:

- 1 TRADEMARK PER SPEC. 115-19030-3
- 2 TE-IDENTIFICATION NUMBER ACC. DIN 1451 MITTLESCHRIFT, HEIGHT 1.2mm, RAISED 0.15mm
- 3 TE-MOLD IDENTIFICATION NUMBER.
- 4 MATERIAL: PBT
COLOR: BLACK

THIS DRAWING IS A CONTROLLED DOCUMENT.		DWN J.V.LIEMPT. 10FEB1992	TE Connectivity	
		CHK R.O.T.BERG 25FEB1992		
DIMENSIONS: mm		APVD L.V.SOEST. 25FEB1992	NAME ADAPTER 90 DEG M24/M27 VERSION	
TOLERANCES UNLESS OTHERWISE SPECIFIED:		PRODUCT SPEC -	RESTRICTED TO -	
0 PLC ±-		APPLICATION SPEC -	SIZE A3	
1 PLC ±0.1		WEIGHT -	CAGE CODE 00779	DRAWING NO C=100291
2 PLC ±0.05		SCALE 2:1		
3 PLC ±0.005		SHEET 1 OF 1		
4 PLC ±-		REV E1		
ANGLES ±° .30'		CUSTOMER DRAWING		
FINISH -				

X-ON Electronics

Largest Supplier of Electrical and Electronic Components

Click to view similar products for [Circular Metric Connectors](#) category:

Click to view products by [TE Connectivity](#) manufacturer:

Other Similar products are found below :

[600X518037X](#) [6STD15PCR99B70A](#) [8R4000A16M020](#) [8R5000A16M005](#) [1200910002](#) [1203580030](#) [1200910008](#) [1200910011](#) [1300140094](#)
[130203-0054](#) [1300140026](#) [1300150099](#) [RF-12S1N8A90DU](#) [1612618](#) [21036836414](#) [8R4006A16M010](#) [8R5006A18A120](#) [1604232](#)
[1R3006A20M005](#) [RF-12P1N8A80DU](#) [RF-12P1N8A90DU](#) [41-40011](#) [42-00006](#) [42-01015](#) [4-22279-4](#) [4-22281-1](#) [4-22284-9](#) [43-00113](#) [43-](#)
[01088](#) [43-01203](#) [41-40013](#) [42-00008](#) [43-00343](#) [43-01032](#) [43-01162](#) [43-01173](#) [43-10000](#) [XS3P-M421-2](#) [600X518050X](#) [SACC-DSI-FS-5P-](#)
[PG9-L180 SC](#) [8R5006A16M020](#) [8R5006A16M005](#) [8R4000A16M010](#) [6-22279-3](#) [1605332](#) [N03FA03144](#) [1300140077](#) [43-16213](#) [43-01338](#)
[XS2RD4265](#)