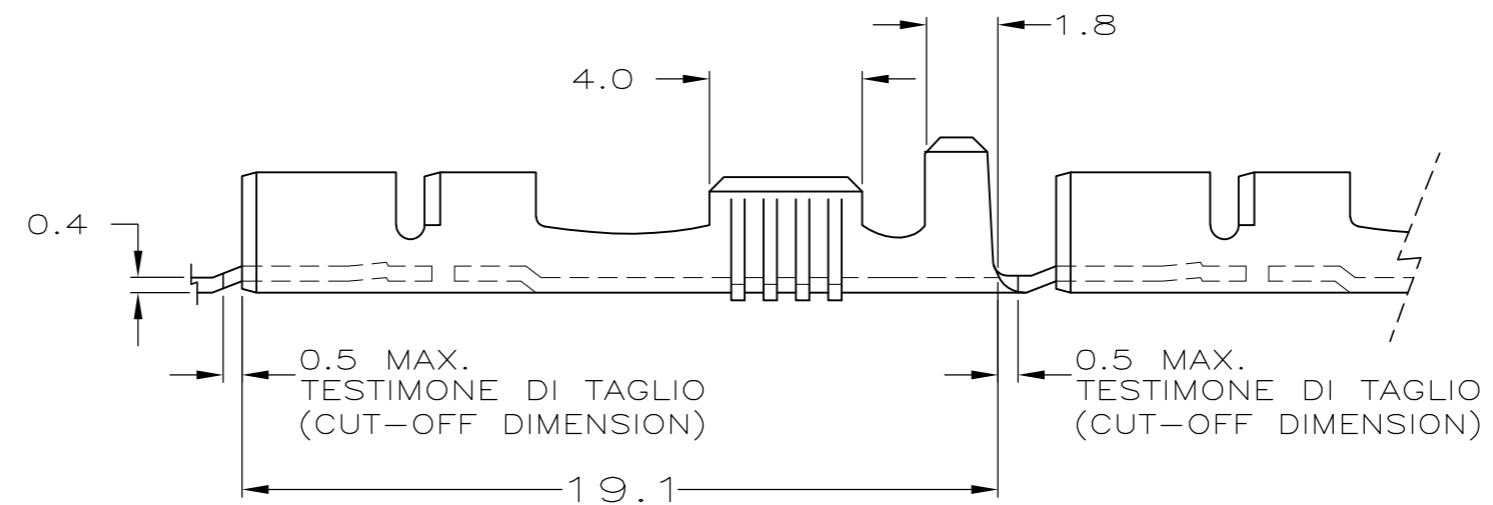
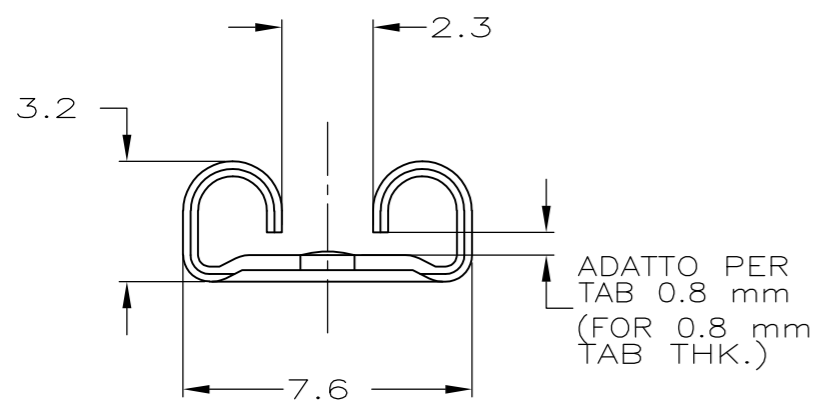
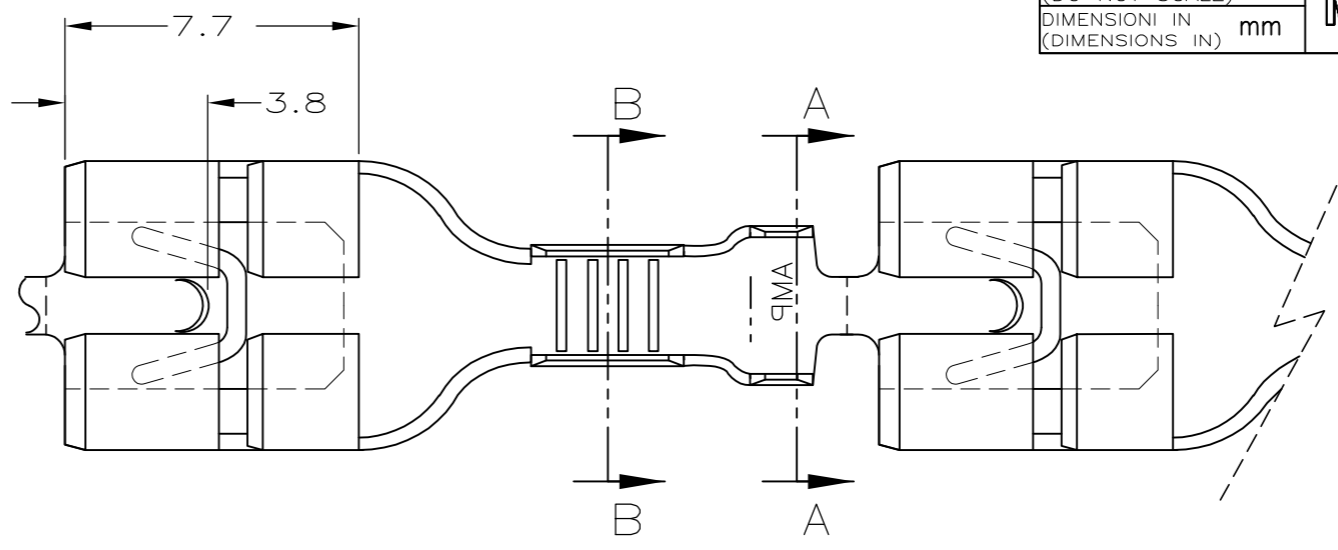


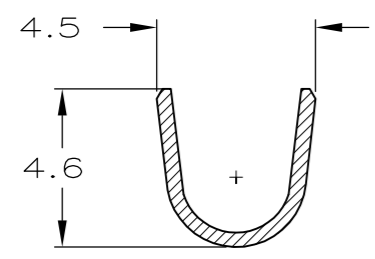
SCALA NON IMPEGNATIVA
(DO NOT SCALE)
DIMENSIONI IN mm
(DIMENSIONS IN mm)

METRIC

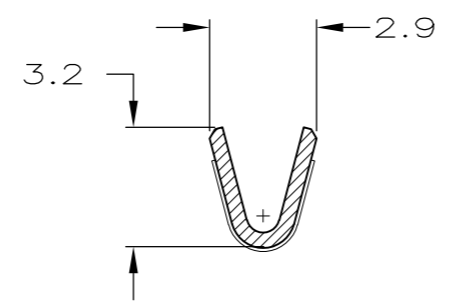
PROIEZIONE EUROPEA
(EUROPEAN PROJECTION)



SEZIONE A-A
SECTION A-A



SEZIONE B-B
SECTION C-C



| | | | | |
|-------------------------------------|-----------------------|----------------------------|------------------|-----|
| 3 OBSOLETE | NUDO (UNPLATED) | Cu Ni Zn | 0-100495-6 | C |
| | STAGNATO (TIN PLATED) | BRONZO FOS. (PHOS. BRONZE) | 0-100495-4 | C |
| | STAGNATO (TIN PLATED) | OTTONE (BRASS) | 0-100495-2 | C |
| | NUDO (UNPLATED) | OTTONE (BRASS) | 0-100495-1 | C |
| FINITURA / COLORE (FINISH / COLOUR) | | MATERIALE (MATERIAL) | NUMERO (PART NO) | REV |

CUSTOMER DWG. FOR REFERENCE ONLY DISEGNO PER CLIENTE SOLO PER RIFERIMENTO

THIS DRAWING IS UNPUBLISHED. RELEASE FOR PUBLICATION 19
© COPYRIGHT BY, ALL INTERNATIONAL RIGHT RESERVED.

| | | | |
|--|----------------------------------|-------------------------|---------------|
| TOLLERANZE: SE NON DIVERSAMENTE SPECIFICATO (TOLERANCES: UNLESS OTHERWISE SPECIFIED) | DIAM. ISOLANTE (INS. DIA. RANGE) | RANGO FILO (WIRE RANGE) | SCALA (SCALE) |
| ± 0.3 | 2.3-3.3 | 0.5-1.5 | 5:1 |

ANGOLI (ANGLES) ± 2°

DIS. H. YAALI (DR.) 10 MAR 2000

CONT. C. TARTARI (CHK) 10 MAR 2000

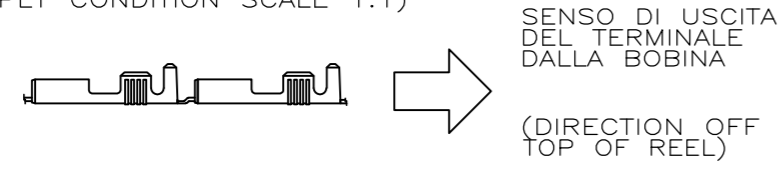


DESCRIZIONE (DESCRIPTION) FASTON® Connector, .250" sr. L.I.F. FASTON CONTACT.

| | | | | |
|------|------|-----------------|------|----------------|
| LOC. | SIZE | NUMERO (DWG NO) | REV. | FOGLIO (SHEET) |
| 1 | A3 | C-100495 | D3 | 1 (OF) 1 |

| | | | |
|------------------|-----------------------------|----------------|-------------|
| D3 | REVISED PER ECO-11-005140 | RK | 05APR |
| REV. (REV. LTR.) | REVISIONI (REVISION RECORD) | DIS. DATA (DR) | APP. (APP.) |

1) STATO DI FORNITURA SCALA 1:1 (SUPPLY CONDITION SCALE 1:1)



2) SPECIFICA DI PRODOTTO 108-19084 (PRODUCT SPEC. 108-19084)

3 OBSOLETE PARTS: OBSOLETE CIS STREAMLINING PER D.RENAUD/D.SINISI

DISTRIBUZIONE (PRINT DIST.)

X-ON Electronics

Largest Supplier of Electrical and Electronic Components

Click to view similar products for [Terminals](#) category:

Click to view products by [TE Connectivity](#) manufacturer:

Other Similar products are found below :

[00-054007-01074-6](#) [00-054007-70206-1](#) [00-054007-70210-8](#) [00-054007-70217-7](#) [00-054007-70226-9](#) [00-054007-70228-3](#) [00-054007-70248-1](#) [00-054007-70256-6](#) [00-054007-70301-3](#) [00-054007-70316-7](#) [0-0320562-0](#) [00-054007-49560-4](#) [00-054007-70209-2](#) [00-054007-70225-2](#) [00-054007-70227-6](#) [00-054007-70231-3](#) [00-054007-70241-2](#) [00-054007-70242-9](#) [00-054007-70244-3](#) [00-054007-70246-7](#) [00-054007-70263-4](#) [00-054007-70288-7](#) [00-054007-70290-0](#) [00-054007-70300-6](#) [00-054007-70304-4](#) [01-2065-1-0216](#) [01-2900-1-04412](#) [00581P0075](#) [600TS-10](#) [60205-1](#) [604200-1](#) [605601-1](#) [60598-1-CUT-TAPE](#) [61314-6-C](#) [61810-3](#) [61-S](#) [61-SN](#) [626-0194](#) [62-NBM-A](#) [62-SN](#) [62-SP](#) [63-S](#) [640179-1](#) [M55155/059I03](#) [M55155/079C01](#) [M55155/099H02](#) [M55155/109H01](#) [M55155/109H02](#) [M55155/12XH05](#) [M55155/16XH02](#)