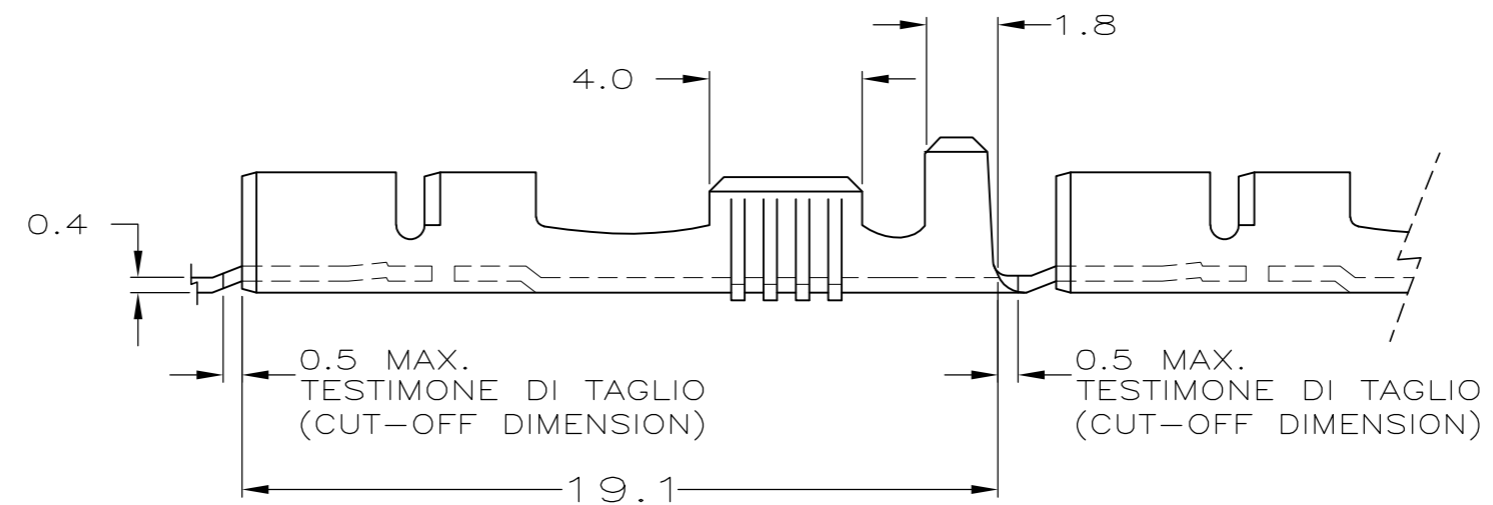
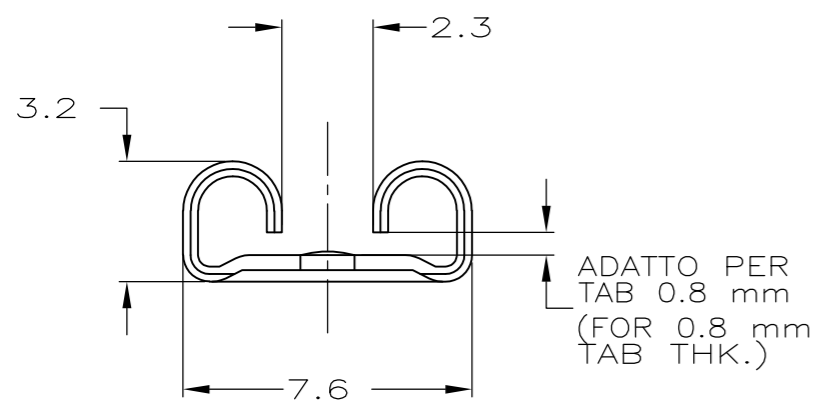
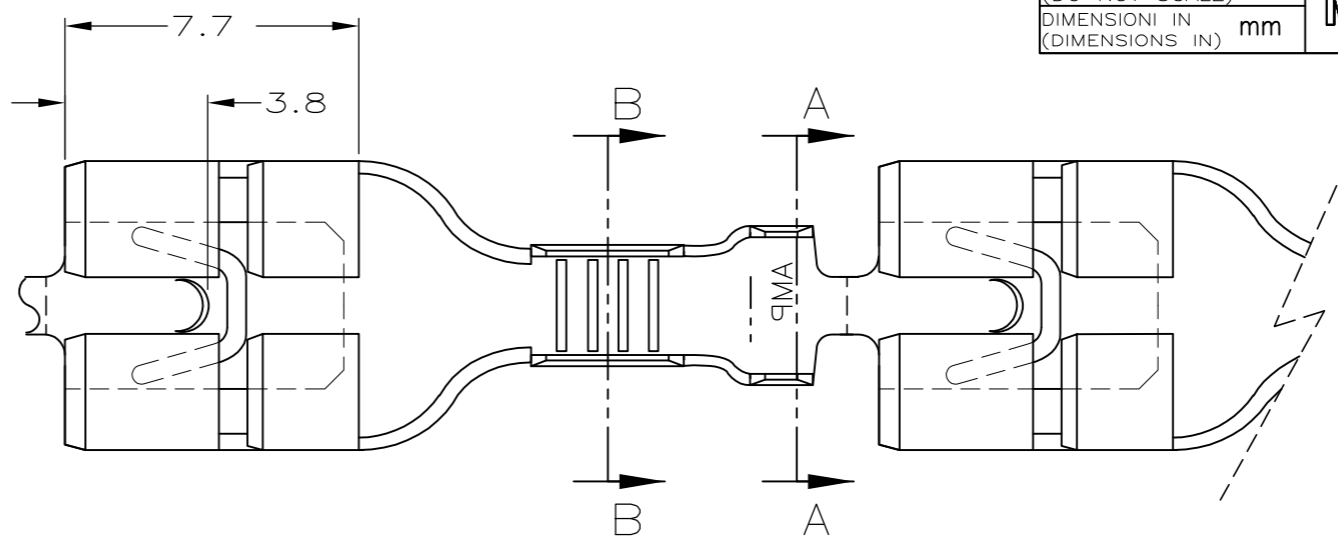


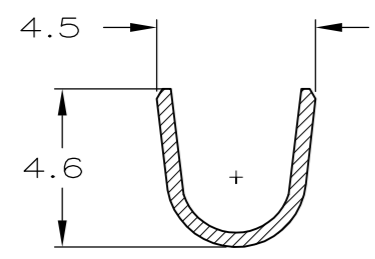
SCALA NON IMPEGNATIVA
(DO NOT SCALE)
DIMENSIONI IN mm
(DIMENSIONS IN mm)

METRIC

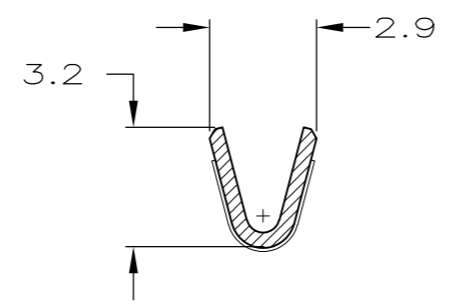
PROIEZIONE EUROPEA
(EUROPEAN PROJECTION)



SEZIONE A-A
SECTION A-A



SEZIONE B-B
SECTION C-C



3 OBSOLETE	NUDO (UNPLATED)	Cu Ni Zn	0-100495-6	C
	STAGNATO (TIN PLATED)	BRONZO FOS. (PHOS. BRONZE)	0-100495-4	C
	STAGNATO (TIN PLATED)	OTTONE (BRASS)	0-100495-2	C
	NUDO (UNPLATED)	OTTONE (BRASS)	0-100495-1	C
FINITURA / COLORE (FINISH / COLOUR)		MATERIALE (MATERIAL)	NUMERO (PART NO)	REV

CUSTOMER DWG. FOR REFERENCE ONLY DISEGNO PER CLIENTE SOLO PER RIFERIMENTO

THIS DRAWING IS UNPUBLISHED. RELEASE FOR PUBLICATION 19
© COPYRIGHT BY, ALL INTERNATIONAL RIGHT RESERVED.

TOLLERANZE: SE NON DIVERSAMENTE SPECIFICATO (TOLERANCES: UNLESS OTHERWISE SPECIFIED)	DIAM. ISOLANTE (INS. DIA. RANGE)	RANGO FILO (WIRE RANGE)	SCALA (SCALE)
± 0.3	2.3-3.3	0.5-1.5	5:1

ANGOLI (ANGLES) ± 2°

DIS. H. YAALI (DR.) 10 MAR 2000

CONT. C. TARTARI (CHK) 10 MAR 2000

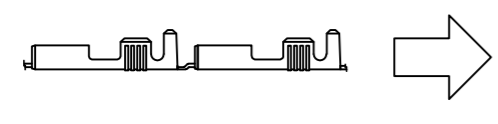


DESCRIZIONE (DESCRIPTION) FASTON® Connector, .250" sr. L.I.F. FASTON CONTACT.

LOC.	SIZE	NUMERO (DWG NO)	REV.	FOGLIO (SHEET)
1	A3	C-100495	D3	1 (OF) 1

D3	REVISED PER ECO-11-005140	RK	05APR
REV. (REV. LTR.)	REVISIONI (REVISION RECORD)	DIS. DATA (DR)	APP. (APP.)

1) STATO DI FORNITURA SCALA 1:1 (SUPPLY CONDITION SCALE 1:1)



SENSO DI USCITA DEL TERMINALE DALLA BOBINA (DIRECTION OFF TOP OF REEL)

2) SPECIFICA DI PRODOTTO 108-19084 (PRODUCT SPEC. 108-19084)

3 OBSOLETE PARTS: OBSOLETE CIS STREAMLINING PER D.RENAUD/D.SINISI

DISTRIBUZIONE (PRINT DIST.)

X-ON Electronics

Largest Supplier of Electrical and Electronic Components

Click to view similar products for [Terminals](#) category:

Click to view products by [TE Connectivity](#) manufacturer:

Other Similar products are found below :

[00-054007-01074-6](#) [00-054007-70206-1](#) [00-054007-70210-8](#) [00-054007-70217-7](#) [00-054007-70226-9](#) [00-054007-70228-3](#) [00-054007-70248-1](#) [00-054007-70256-6](#) [00-054007-70301-3](#) [00-054007-70316-7](#) [0-0320562-0](#) [00-054007-49560-4](#) [00-054007-70209-2](#) [00-054007-70225-2](#) [00-054007-70227-6](#) [00-054007-70231-3](#) [00-054007-70241-2](#) [00-054007-70242-9](#) [00-054007-70244-3](#) [00-054007-70246-7](#) [00-054007-70263-4](#) [00-054007-70288-7](#) [00-054007-70290-0](#) [00-054007-70300-6](#) [00-054007-70304-4](#) [01-2065-1-0216](#) [01-2900-1-04412](#) [00581P0075](#) [600TS-10](#) [60205-1](#) [604200-1](#) [605601-1](#) [60598-1-CUT-TAPE](#) [61314-6-C](#) [61810-3](#) [61-S](#) [61-SN](#) [626-0194](#) [62-NBM-A](#) [62-SN](#) [62-SP](#) [63-S](#) [640179-1](#) [M55155/059I03](#) [M55155/079C01](#) [M55155/099H02](#) [M55155/109H01](#) [M55155/109H02](#) [M55155/12XH05](#) [M55155/16XH02](#)