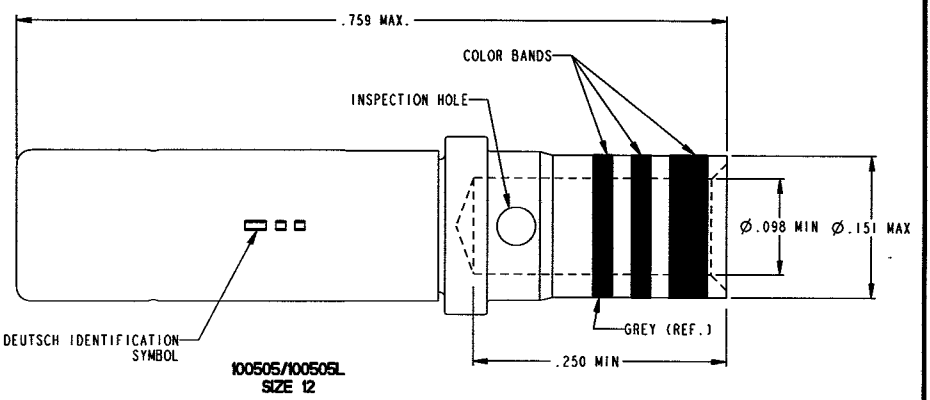
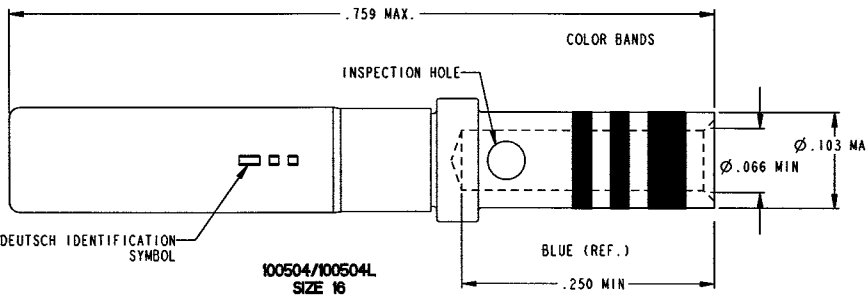
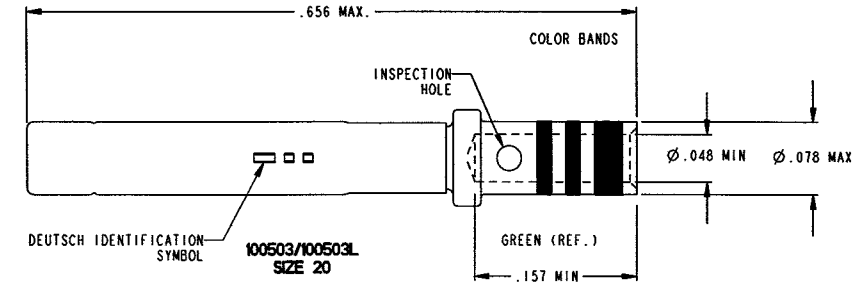


PROPERTY OF DEUTSCH E.C.D.

This drawing contains proprietary information that shall not be disclosed, duplicated, nor used in whole or in part for any purposes other than to evaluate this drawing.

H	100503 THRU 100505 100503L THRU 100505L	REVISIONS			
		REV	DESCRIPTION	DATE	APPROVED
		H	REVISED PER E.O. C6219	050331	JPZ



PART NUMBER	PLATING SOCKET BODY	PLATING HOOD	H2
100503 THRU 100505	.00050 MIN. GOLD PER MIL-G-45204 OVER NICKEL	PASSIVATED	▲
100503L THRU 100505L	SELECTIVE PLATING PER MIL-C-39029	PASSIVATED	

- APPLICABLE CRIMP TOOLS: BASIC TOOL, DANIELS CORP., PART NO. AFB, (MILITARY PART NO. M22520/1-01) PLUS TURRET HEAD, DANIELS CORP., PART NO. THIA (MILITARY PART NO. M22520/1-02).
- BASIC DIMENSIONS & MANUFACTURING IN INCHES. METRIC EQUIV'S ARE SHOWN IN CONVERSION CHART AND ARE FOR GENERAL INFO ONLY.
- FOR THE MATING PIN CONTACT SEE ENVELOPE DWG. 0625-4-0000.
- CONNECTOR APPLICATION: THESE CONTACTS ARE SUPPLIED WITH THE FOLLOWING CRIMP CONTACT TYPE CONNECTOR SERIES: NAS 1599; MIL-C-26482, SERIES 2; MIL-C-81703, SERIES 3; MIL-C-83723, SERIES I & III AND DEUTSCH AFD, DBA & DL TYPE.
- MATERIAL: (PER MIL-C-39029)  
SOCKET BODY - COPPER ALLOY  
HOOD - STAINLESS STEEL
- FINISH: SEE TABLE H1

DEUTSCH PART NO'S	MIL-C-39029 EQUIV NO'S	NAS1600 EQUIV NO'S	MIL-C-83723 EQUIV NO'S	SIZE	WIRE GAGE RANGE	RECOMMENDED STRIP LENGTH	WEIGHT IN LBS	COLOR CODE
100503 100503L	M39029/5-115	NAS1663-20	M83723-34B20	20	20, 22, 24	.156 TO .219	.0007	GREEN, BROWN, BROWN
100504 100504L	M39029/5-116	NAS1663-16	M83723-34B16	16	16, 18, 20	.250 TO .313	.0014	BLUE, BROWN, BROWN
100505 100505L	M39029/5-118	NAS1663-12	M83723-34B12	12	12 AND 14	.250 TO .313	.0028	GREY, BROWN, BROWN

INCH	mm
.048	1.219
.066	1.676
.078	1.981
.098	2.489
.103	2.616
.151	3.835
.157	3.988
.250	6.350
.656	16.662
.759	19.279

SIGNATURE & DATE	
DR	J. FRIEDHOF 10-6-98
CHK	JPZ 050331
PE	J. FRIEDHOF 10-6-98
APPD	<i>[Signature]</i>
SCALE	WT

CONTACTS, SOCKET ASM  
SPLIT BODY SOCKETS  
CLOSED ENTRY  
CRIMP TYPE  
(THESE CONTACTS MEET ALL  
REQUIREMENTS OF NAS1600 & M83723)  
ENVELOPE

CP	MATL CODE
<b>DEUTSCH</b> ENGINEERED CONNECTING DEVICES 5733 W. Whittier Ave. Hemet, California	
<b>B</b> DWG SIZE	100503 THRU 100505 100503L THRU 100505L
	CODE 11139 SHEET 1 of 1

100503-100505-ENV

## X-ON Electronics

Largest Supplier of Electrical and Electronic Components

*Click to view similar products for [Circular MIL Spec Contacts](#) category:*

*Click to view products by [TE Connectivity](#) manufacturer:*

Other Similar products are found below :

[006-1189-20](#) [M39029/106-616](#) [71-VEAM](#) [809-023](#) [809-111](#) [811393-000](#) [850-014](#) [97-45-1418P-4\(0920\)](#) [97-45-1418S-4](#) [D-602-0106CS076](#)  
[AIC12-14P](#) [AIC16-16PG](#) [AIC8-12P](#) [AIC8-8SG](#) [AIC8-8SRAD](#) [1495044-1](#) [BACC47CP2T](#) [BACC47DP4](#) [BACC47GC1A](#) [BACC47GN1](#)  
[16968/2C](#) [173-900245-91](#) [21-033909-028](#) [241611N001](#) [2560-220-2031](#) [27963-12T112](#) [27963-15T112](#) [27964-38T112](#) [2M809-118](#) [97-67-36-](#)  
[20](#) [AIC12-16P](#) [AIC16-18PG](#) [AIC16-20PG](#) [AIC4-4PG](#) [AIC8-10P](#) [CE102S-18](#) [M39029/30-221](#) [M39029/30-222](#) [M39029/77-430](#) [416-2020-](#)  
[088I](#) [MDM-21SH003B-F222](#) [48-100-5014P-02](#) [BACC47CN2](#) [BACC47CN3S](#) [BACC47GC3A](#) [BACC47GD3A](#) [BACC47GM1](#) [52G137 REV](#)  
[A](#) [D-602-1116CS2727](#) [D-602-1117CS2727](#)