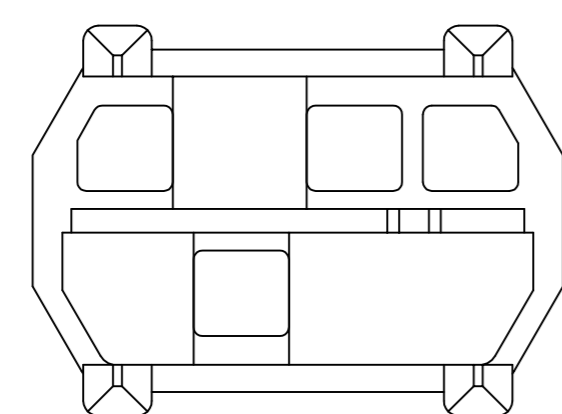


THIS DRAWING IS UNPUBLISHED. RELEASED FOR PUBLICATION  
 © COPYRIGHT - By - ALL RIGHTS RESERVED.

LOC	DIST	REVISIONS			
P	LTR	DESCRIPTION	DATE	DWN	APVD
	D2	SHEET 2 DRAFTING ERROR CORRECTION	10NOV2011	A.S	M.W



SECTION A-A  
 =====



- NOTES:**
- 1 DRAWING SHOWS CODING KEY 6-100525-3 WITH CODE NUMBER 3568 AS AN EXAMPLE. REINFORCED CODING KEYS ARE DESIGNED FOR THE 8 ROW CONNECTOR SYSTEM, BUT FIT THE 5 ROW CONNECTOR SYSTEM AS WELL.
  - 2 DRAWING SHOWS CODING KEY 2-100525-4 WITH CODE NUMBER 1368 AS AN EXAMPLE.
  - 3 MATERIAL: GLASSFILLED POLYAMIDE 6.6.; COLOUR: SEE TABLE.
  - 4 EACH CODING KEY HAS FOUR BLOCKING PINS AND FOUR CAVITIES. THE NUMBERS ON TOP OF THE BLOCKING PINS FORM THE FOUR-FIGURE IDENTIFICATION NUMBER (ASCENDING).
  - 5 PARTNUMBER MATCHING FEMALE CODING KEY, FOR REFERENCE ONLY.
  - 6 1 INSERTION TOOL INCLUDED PER 500 CODING KEYS.

Part No.	Colour	RAL NR.	ID. NUMBER	Partnumber
6-100526-3	PASTEL ORANGE	2003	3568	6-100525-3
6-100526-1	STEEL BLUE	5011	3478	6-100525-1
5-100526-9	SLATE GREY	7015	3467	5-100525-9
5-100526-6	CADMIUM YELLOW	1021	3456	5-100525-6
5-100526-4	RESADA GREEN	6011	2578	5-100525-4
3-100526-2	BRILLIANT BLUE	5007	1567	3-100525-2
100526-9	STRAWBERRY RED	3018	1248	100525-9
100526-3	NUT BROWN	8011	1236	100525-3
FEMALE KEY	COLOUR	RAL NR.	ID. NUMBER	PARTNUMBER

THIS DRAWING IS A CONTROLLED DOCUMENT.

DIMENSIONS: mm	TOLERANCES UNLESS OTHERWISE SPECIFIED:	DWN: D. TRUREN 03-FEB-98	TE Connectivity
	0 PLC ± 0.3 1 PLC ± 0.3 2 PLC ± 0.3 3 PLC ± 0.3 4 PLC ± 0.3 ANGLES ± -	CHK: D. TRUREN 03-FEB-98 APVD: F.v. KONINGSBRUGGE PRODUCT SPEC: - APPLICATION SPEC: - WEIGHT: -	
MATERIAL: -	FINISH: -	CUSTOMER DRAWING	

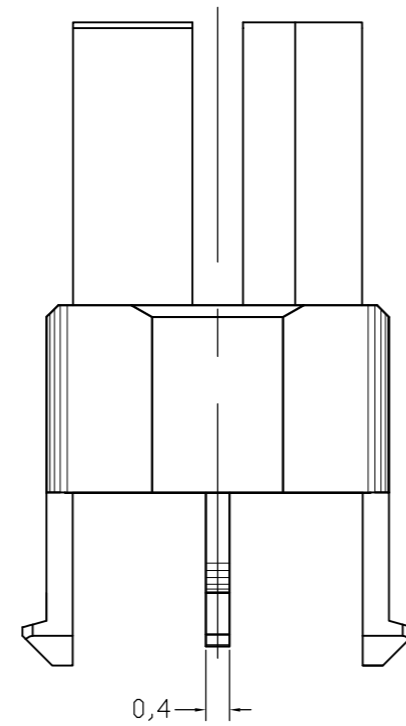
SCALE: 1:1 SHEET 1 of 2 REV D2

100525

LOC		DIST		REVISIONS				
P	LTR	DESCRIPTION			DATE	DWN	APVD	
-	-	SEE SHEET 1			-	-	-	



SECTION A-A  
 =====



-	-	-	-	-
6-100526-9	OCHER YELLOW	1024	4678	6-100525-9
6-100526-4	RASPBERRY RED	3027	3578	6-100525-4
5-100526-3	OCEAN BLUE	5020	2568	5-100525-3
5-100526-2	EMERALD GREEN	6001	2567	5-100525-2
4-100526-9	YELLOW ORANGE	2000	2467	4-100525-9
4-100526-8	HEATHER VIOLET	4003	2458	4-100525-8
4-100526-4	COPPER BROWN	8004	2368	4-100525-4
4-100526-3	STONE GREY	7030	2367	4-100525-3
3-100526-7	PURPLE RED	3004	2346	3-100525-7
3-100526-5	SALMON PINK	3022	1678	3-100525-5
3-100526-4	RED LILAC	4001	1578	3-100525-4
2-100526-7	LIGHT IVORY	1015	1457	2-100525-7
2-100526-6	PASTEL GREEN	6019	1456	2-100525-6
2-100526-4	YELLOW GREEN	6018	1368	2-100525-4
2-100526-0	BLUE LILAC	4005	1356	2-100525-0
1-100526-8	PIGEON BLUE	5014	1347	1-100525-8
1-100526-4	OLIVE YELLOW	1020	1268	1-100525-4
1-100526-3	CEMENT GREY	7033	1267	1-100525-3
1-100526-2	LIGHT GREEN	6027	1258	1-100525-2
100526-8	PURE ORANGE	2004	1247	100525-8
100526-5	ULTRAMARINE BLUE	5002	1238	100525-5
100526-2	GREEN BROWN	8000	1235	100525-2
FEMALE KEY	COLOUR	RAL NR.	ID. NUMBER	PARTNUMBER

THIS DRAWING IS A CONTROLLED DOCUMENT.		DWN D. TRUREN 03-FEB-98	TE Connectivity	
DIMENSIONS: mm		CHK D. TRUREN 03-FEB-98		
TOLERANCES UNLESS OTHERWISE SPECIFIED:		APVD F.v. KONINGSBRUGGE	NAME Z-PACK 2mm HM MALE CODING KEY	
0 PLC ± 0.3 1 PLC ± 0.3 2 PLC ± 0.3 3 PLC ± 0.3 4 PLC ± 0.3 ANGLES ± -		PRODUCT SPEC -	-	
MATERIAL		APPLICATION SPEC -	-	
FINISH		WEIGHT -	SIZE A2	CAGE CODE 00779
		CUSTOMER DRAWING	DRAWING NO C=100525	RESTRICTED TO -
			SCALE 1:1	SHEET 2 of 2
				REV D2

## X-ON Electronics

Largest Supplier of Electrical and Electronic Components

*Click to view similar products for [Hard Metric Connectors](#) category:*

*Click to view products by [TE Connectivity](#) manufacturer:*

Other Similar products are found below :

[6345127-1](#) [646916-9](#) [6469658-1](#) [973108](#) [1-2000713-0](#) [1-2000713-2](#) [1-2000713-3](#) [1645343-1](#) [1645456-1](#) [1645594-1](#) [1645595-1](#) [1645601-1](#)  
[1934822-1](#) [278071110010833](#) [1645179-1](#) [1645245-1](#) [1645457-1](#) [1645525-1](#) [1645570-1](#) [1645596-1](#) [17041102202](#) [1857470-1](#) [1934275-1](#)  
[1934289-1](#) [1934759-1](#) [2000673-1](#) [2170292-2](#) [2-536642-6](#) [3-106015-1](#) [352188-1](#) [352629-1](#) [5120823-1](#) [5120899-1](#) [3-100145-0](#) [3-100147-0](#)  
[3-100669-1](#) [3-106081-0](#) [HM2DK2368PLF](#) [5646530-1](#) [3-352049-0](#) [3-352069-0](#) [3-352115-0](#) [3-352638-0](#) [352189-1](#) [3-646357-0](#) [3-646487-0](#)  
[3-646513-0](#) [104108](#) [106726-1](#) [114352](#)