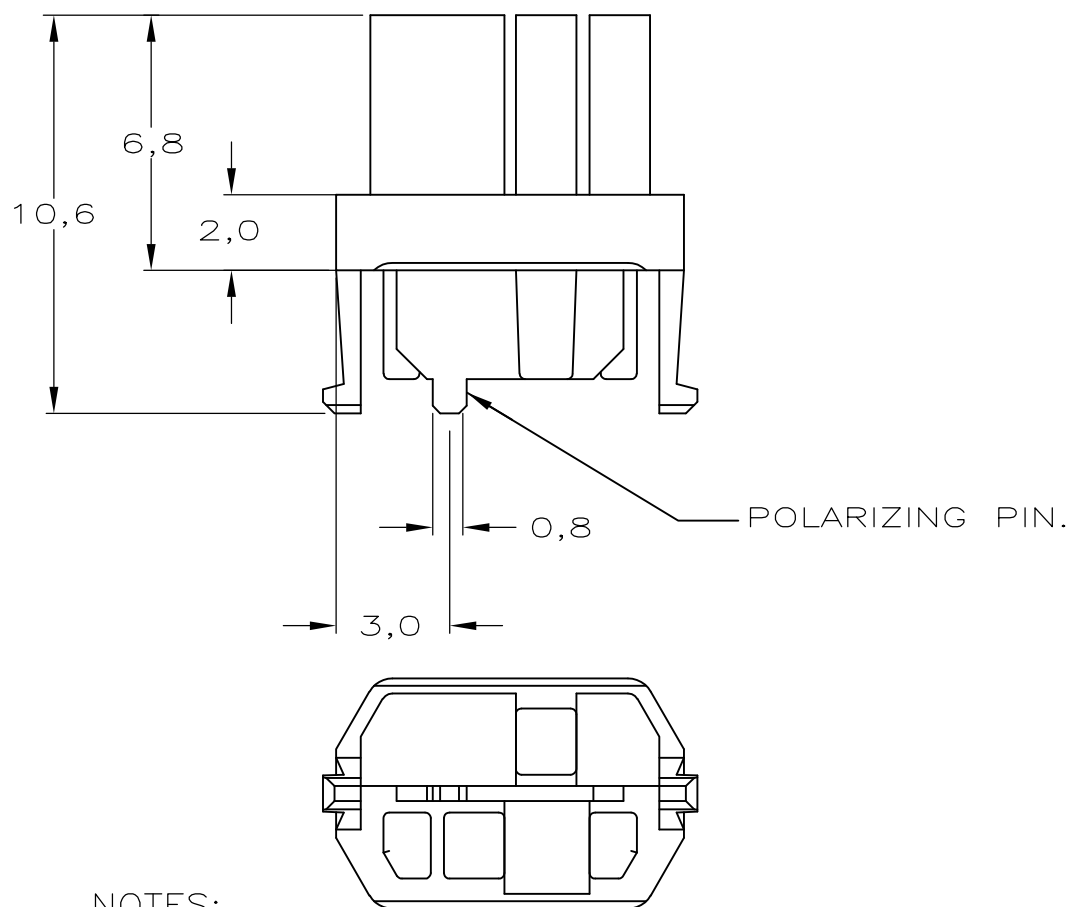
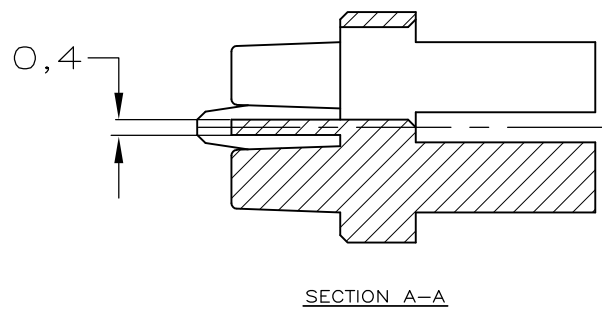
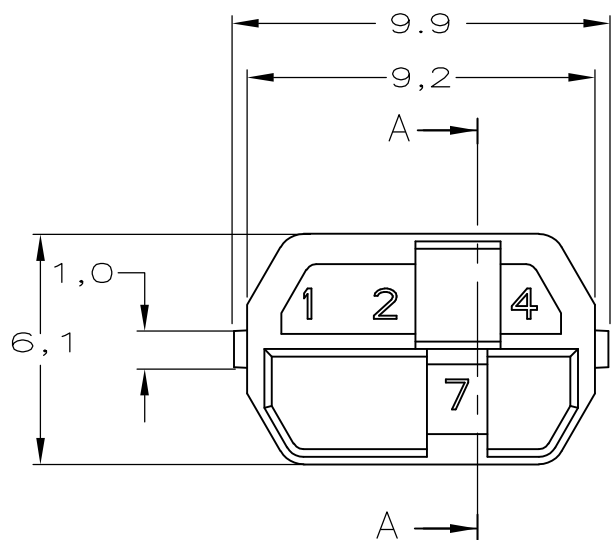


THIS DRAWING IS UNPUBLISHED. RELEASED FOR PUBLICATION
 © COPYRIGHT - By - ALL RIGHTS RESERVED.

LOC	DIST	REVISIONS					
		P	LTR	DESCRIPTION	DATE	DWN	APVD
-	-	D1		REVISED PER ECO-11-005030	11MAR11	RK	HMR



Part No.	Colour	RAL Nr.	ID. Number	Partnumber
6-100525-3	PASTEL ORANGE	2003	1247	6-100526-3
6-100525-1	STEEL BLUE	5011	1256	6-100526-1
5-100525-9	SLATE GREY	7015	1258	5-100526-9
5-100525-6	CADMIUM YELLOW	1021	1278	5-100526-6
5-100525-4	RESADA GREEN	6011	1346	5-100526-4
3-100525-2	BRILLIANT BLUE	5007	2348	3-100526-2
100525-9	STRAWBERRY RED	3018	3567	100526-9
100525-3	NUT BROWN	8011	4578	100526-3
MALE KEY	COLOUR	RAL NR.	ID. NUMBER	PARTNUMBER

NOTES:

- ① DRAWING SHOWS CODING KEY 6-100526-3 WITH CODE NUMBER 1247 AS AN EXAMPLE. REINFORCED CODING KEYS ARE DESIGNED FOR THE 8 ROW CONNECTOR SYSTEM, BUT FIT THE 5 ROW CONNECTOR SYSTEM AS WELL.
- ② DRAWING SHOWS CODING KEY 2-100526-4 WITH CODE NUMBER 2457 AS AN EXAMPLE.
- ③ MATERIAL: GLASSFILLED POLYAMIDE 6.6.; COLOUR: SEE TABLE.
- ④ EACH CODING KEY HAS FOUR BLOCKING PINS AND FOUR CAVITIES. THE NUMBERS ON TOP OF THE BLOCKING PINS FORM THE FOUR-FIGURE IDENTIFICATION NUMBER (ASCENDING).
- ⑤ PARTNUMBER MATCHING FEMALE CODING KEY, FOR REFERENCE ONLY.

THIS DRAWING IS A CONTROLLED DOCUMENT.

DWN RvHEUVEN 08-MAY-98
 CHK D. TRUREN 08-MAY-98
 APVD F.v.KONINGSBRUGGE

STE TE Connectivity

PRODUCT SPEC NAME: Z-PACK 2mm HM FEMALE CODING KEYS

APPLICATION SPEC

SIZE A3 CAGE CODE 00779 DRAWING NO. C-100526 RESTRICTED TO -

WEIGHT -

CUSTOMER DRAWING SCALE - SHEET 1 OF 2 REV D1

THIS DRAWING IS UNPUBLISHED. RELEASED FOR PUBLICATION
 © COPYRIGHT - By - ALL RIGHTS RESERVED.

LOC	DIST	REVISIONS					
		P	LTR	DESCRIPTION	DATE	DWN	APVD
-	-	-	-	SEE SHEET1	-	-	-



MALE KEY	COLOUR	RAL NR.	ID. NUMBER	PARTNUMBER
-	-	-	-	-
-	-	-	-	-
-	-	-	-	-
-	-	-	-	-
-	-	-	-	-
-	-	-	-	-
-	-	-	-	-
-	-	-	-	-
-	-	-	-	-
6-100525-9	OCHER YELLOW	1024	1235	6-100526-9
6-100525-4	RASPBERRY RED	3027	1246	6-100526-4
5-100525-3	OCEAN BLUE	5020	1347	5-100526-3
5-100525-2	EMERALD GREEN	6001	1348	5-100526-2
4-100525-9	YELLOW ORANGE	2000	1358	4-100526-9
4-100525-8	HEATHER VIOLET	4003	1367	4-100526-8
4-100525-4	COPPER BROWN	8004	1457	4-100526-4
4-100525-3	STONE GREY	7030	1458	4-100526-3
3-100525-7	PURPLE RED	3004	1578	3-100526-7
3-100525-5	SALMON PINK	3022	2345	3-100526-5
3-100525-4	RED LILAC	4001	2346	3-100526-4
2-100525-7	LIGHT IVORY	1015	2368	2-100526-7
2-100525-6	PASTEL GREEN	6019	2378	2-100526-6
2-100525-4	YELLOW GREEN	6018	2457	2-100526-4
2-100525-0	BLUE LILAC	4005	2478	2-100526-0
1-100525-8	PIGEON BLUE	5014	2568	1-100526-8
1-100525-4	OLIVE YELLOW	1020	3457	1-100526-4
1-100525-3	CEMENT GREY	7033	3458	1-100526-3
1-100525-2	LIGHT GREEN	6027	3467	1-100526-2
100525-8	PURE ORANGE	2004	3568	100526-8
100525-5	ULTRAMARINE BLUE	5002	4567	100526-5
100525-2	GREEN BROWN	8000	4678	100526-2

THIS DRAWING IS A CONTROLLED DOCUMENT.

DIMENSIONS: mm	TOLERANCES UNLESS OTHERWISE SPECIFIED:	DWN D. TRUREN 03-FEB-98	TE Connectivity
	0 PLC ± - 1 PLC ± - 2 PLC ± - 3 PLC ± - 4 PLC ± - ANGLES ± -	CHK D. TRUREN 03-FEB-98	
MATERIAL	FINISH	APVD F.v.KONINGSBRUGGE	NAME
		PRODUCT SPEC	Z-PACK 2mm HM FEMALE CODING KEYS
		APPLICATION SPEC	SIZE CAGE CODE DRAWING NO RESTRICTED TO
		WEIGHT	A3 00779 C-100526
CUSTOMER DRAWING		SCALE	SHEET 2 OF 2 REV D1

X-ON Electronics

Largest Supplier of Electrical and Electronic Components

Click to view similar products for [Hard Metric Connectors](#) category:

Click to view products by [TE Connectivity](#) manufacturer:

Other Similar products are found below :

[6345127-1](#) [646916-9](#) [6469658-1](#) [973108](#) [1-2000713-0](#) [1-2000713-2](#) [1-2000713-3](#) [1645343-1](#) [1645456-1](#) [1645594-1](#) [1645595-1](#) [1645601-1](#)
[1934822-1](#) [278071110010833](#) [1645179-1](#) [1645245-1](#) [1645457-1](#) [1645525-1](#) [1645570-1](#) [1645596-1](#) [17041102202](#) [1857470-1](#) [1934275-1](#)
[1934289-1](#) [1934759-1](#) [2000673-1](#) [2170292-2](#) [2-536642-6](#) [3-106015-1](#) [352188-1](#) [352629-1](#) [5120823-1](#) [5120899-1](#) [3-100145-0](#) [3-100147-0](#)
[3-100669-1](#) [3-106081-0](#) [HM2DK2368PLF](#) [5646530-1](#) [3-352049-0](#) [3-352069-0](#) [3-352115-0](#) [3-352638-0](#) [352189-1](#) [3-646357-0](#) [3-646487-0](#)
[3-646513-0](#) [104108](#) [106726-1](#) [114352](#)