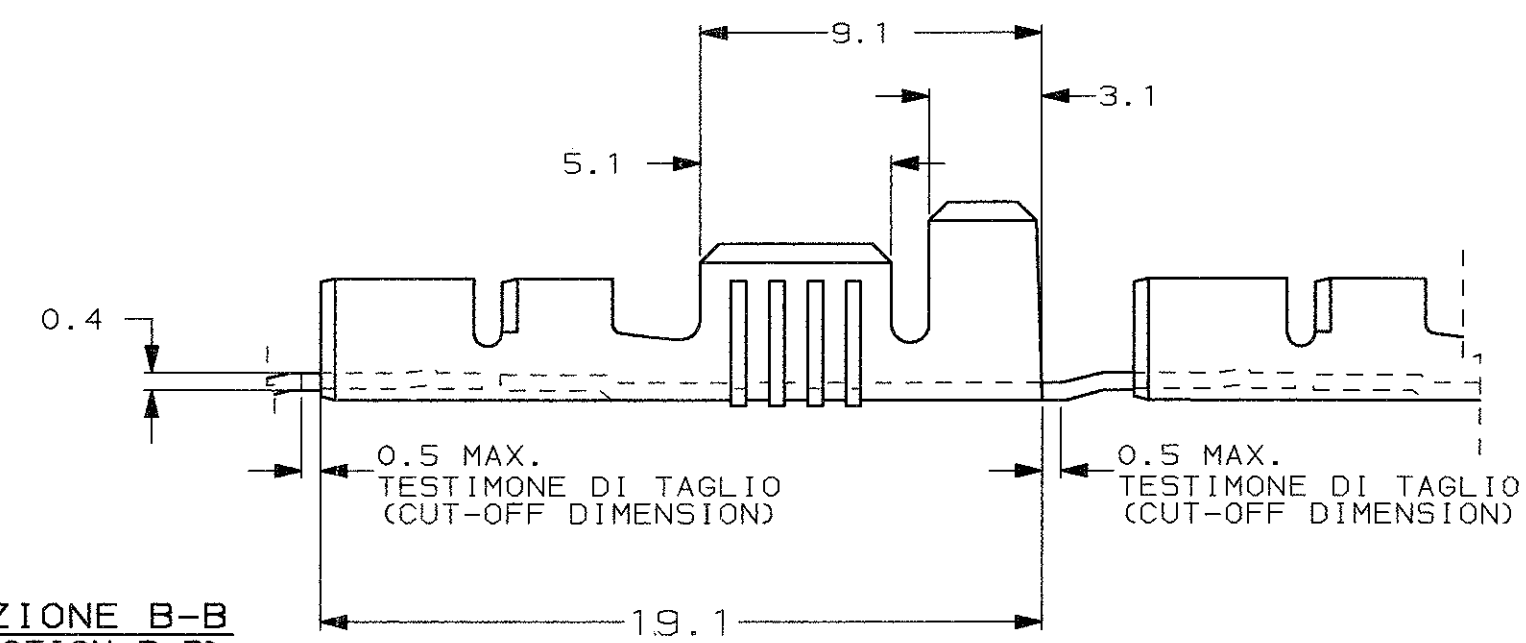
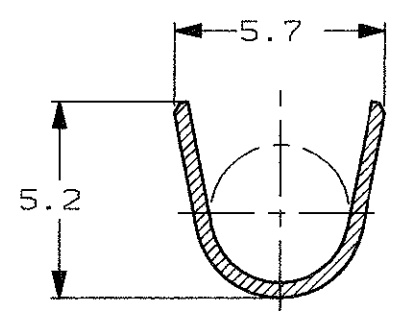
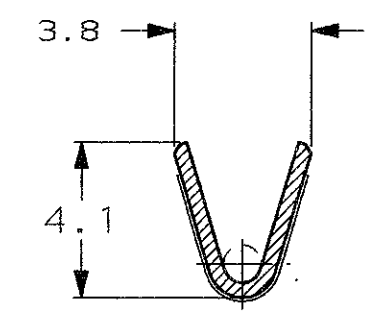


**SEZIONE A-A**  
(SECTION A-A)



**SEZIONE B-B**  
(SECTION B-B)



STAGNATO (TIN PLATED)	OTTONE (BRASS)	0-100570-2	C
FINITURA / COLORE (FINISH / COLOUR)	MATERIALE (MATERIAL)	NUMERO (AMP P/N)	REV

**CUSTOMER DWG. FOR REFERENCE ONLY**     **DISEGNO PER CLIENTE SOLO PER RIFERIMENTO**

~~THIS DRAWING IS UNPUBLISHED~~     RELEASE FOR PUBLICATION     19

© COPYRIGHT 19 BY AMP INCORPORATED, HARRISBURG, PA. ALL INTERNATIONAL RIGHT RESERVED. AMP PRODUCTS MAY BE COVERED BY U.S. AND FOREIGN PATENT AND/OR PATENT PENDING

TOLLERANZE, SE NON DIVERSAMENTE SPECIFICATO (TOLERANCES, UNLESS OTHERWISE SPECIFIED)	DIAM. ISOLANTE (INS. DIA. RANGE) 3.0-4.3	RANGO FILO (WIRE RANGE) 1.0-2.5	SCALA (SCALE) 5:1
ANGOLI (ANGLES) ± 0.3	<b>AMP</b> <b>AMP ITALIA S.p.A.</b> Corso F.lli Cervi, 15 COLLENO (TORINO)		

DIS. H. YAALI (DR.) 20 MAR 2000     DESCRIZIONE (DESCRIPTION) **FASTON® Connector, .250" sr. L.I.F. FASTON CONTACT.**

CONT. C. TARTARI (CHK) 20 MAR 2000     LOC. SIZE NUMERO (DWG NO) **I A3 C-100570**

1) STATO DI FORNITURA SCALA 1:1 (SUPPLY CONDITION SCALE 1:1)

SENSO DI USCITA DEL TERMINALE DALLA BOBINA (DIRECTION OFF TOP OF REEL)

2) SPECIFICA DI PRODOTTO 108-19084 (PRODUCT SPEC. 108-19084)

REV.	REVISIONI (REVISION RECORD)	DIS. DATA (DR DATE)	APP. (APP.)
C	OBSOLETE PARTS & REDRAWN ET00-0302-25	H.Y. 08 MAR 2000	

DISTRIBUZIONE (PRINT DIST.)

## X-ON Electronics

Largest Supplier of Electrical and Electronic Components

*Click to view similar products for [Terminals](#) category:*

*Click to view products by [TE Connectivity](#) manufacturer:*

Other Similar products are found below :

[00-054007-01074-6](#) [00-054007-70206-1](#) [00-054007-70210-8](#) [00-054007-70217-7](#) [00-054007-70226-9](#) [00-054007-70228-3](#) [00-054007-70248-1](#) [00-054007-70256-6](#) [00-054007-70301-3](#) [00-054007-70316-7](#) [00-054007-49560-4](#) [00-054007-70209-2](#) [00-054007-70225-2](#) [00-054007-70227-6](#) [00-054007-70231-3](#) [00-054007-70241-2](#) [00-054007-70242-9](#) [00-054007-70244-3](#) [00-054007-70246-7](#) [00-054007-70263-4](#) [00-054007-70288-7](#) [00-054007-70290-0](#) [00-054007-70300-6](#) [00-054007-70304-4](#) [01-2065-1-0216](#) [01-2900-1-04412](#) [00581P0075](#) [600TS-10](#) [60205-1](#) [604200-1](#) [605601-1](#) [60598-1-CUT-TAPE](#) [61314-6-C](#) [61810-3](#) [61-S](#) [61-SN](#) [626-0194](#) [62-NBM-A](#) [62-SN](#) [62-SP](#) [63-S](#) [640179-1](#) [M55155/059I03](#) [M55155/079C01](#) [M55155/099H02](#) [M55155/109H01](#) [M55155/109H02](#) [M55155/12XH05](#) [M55155/16XH02](#) [M55155/29-5S](#)