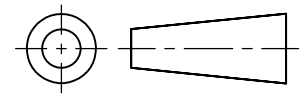


DO NOT SCALE
DIMENSIONS IN mm

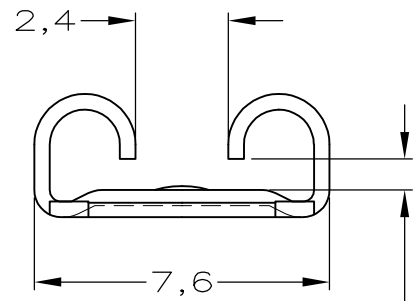
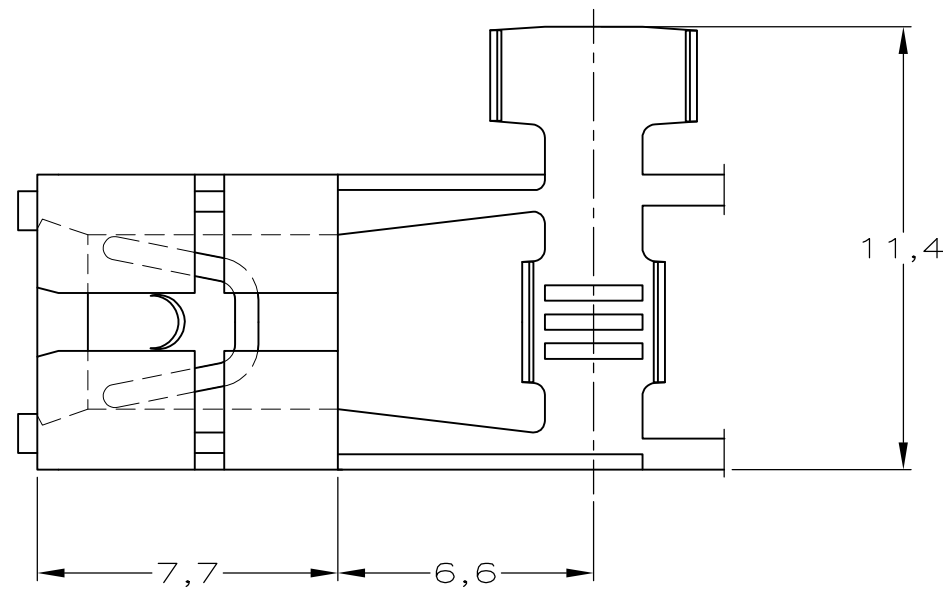
METRIC

THIRD ANGLE
PROJECTION

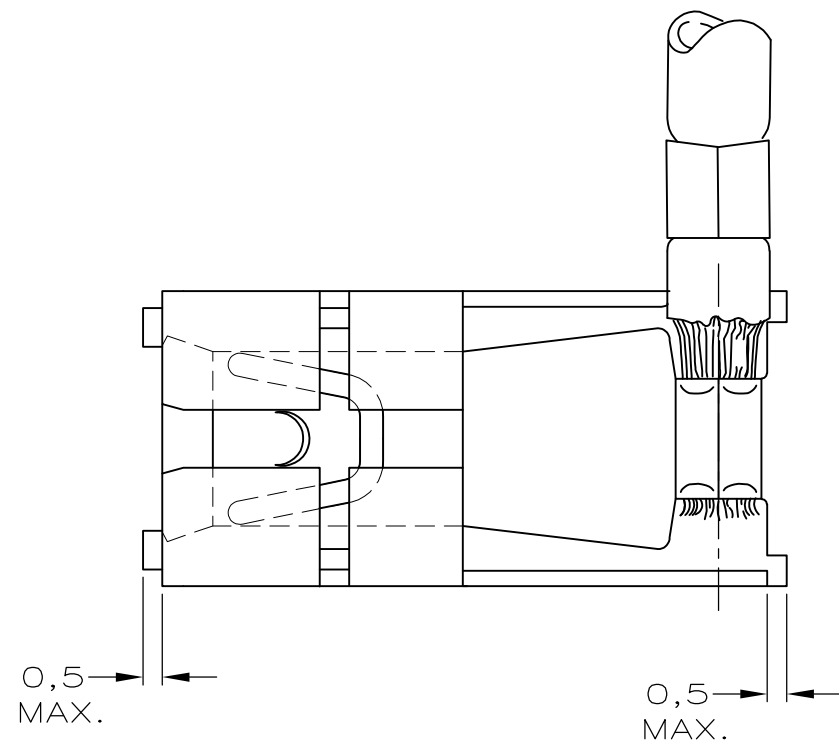
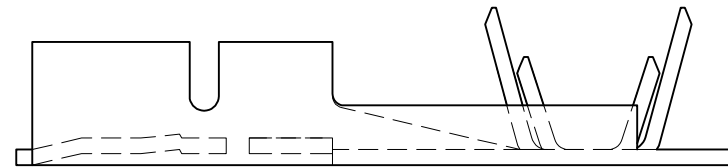


NOTES:

- 1 FOR USE ON MINIATURE APPLICATORS (LEFT-RIGHT FEED)
- 2 HANDTOOL 180319 TO BE USED.
- 3 APPLICATION SPEC. 114-19025.
- 4 PRODUCT SPEC. 108-19084.
- △5 REVERSE REELED FOR MINI APPLICATOR.
- △6 OBSOLETE PARTS: OBSOLETE CIS STREAMLINING PER D.RENAUD/D.SINISI



FOR 0,8 mm TAB
THICKNESS



WIRE RANGE :
1,0 - 2,5 mm²
INSULATION RANGE :
2,5 - 3,8 mm DIA.

100689-4	TINPLATED	PH.BRONZE	△5 1-100645-4	△6
100689-3	UNPLATED	PH.BRONZE	△5 1-100645-3	
100689-2	TINPLATED	BRASS	△5 1-100645-2	△6
100689-1	UNPLATED	BRASS	△5 1-100645-1	△6
100689-4	TINPLATED	PH.BRONZE	100645-4	△6
100689-3	UNPLATED	PH.BRONZE	100645-3	
100689-2	TINPLATED	BRASS	100645-2	
100689-1	UNPLATED	BRASS	100645-1	△6

LOOSE PIECE	△2	FINISH	MATERIAL	PARTNUMBER
-------------	----	--------	----------	------------

CUSTOMER DRAWING FOR REFERENCE ONLY
WILL NOT BE UPDATED
© COPYRIGHT 19 - BY AMP HOLLAND B.V.
ALL INTERNATIONAL RIGHTS RESERVED. AMP PRODUCTS MAY BE
COVERED BY U.S. AND FOREIGN AND/OR PATENTS PENDING.
THIS DRAWING IS UNPUBLISHED
RELEASED FOR PUBLICATION ,19

B1	REVISED PER ECO-09-020932	KK	AEG	27AUG09	AMP HOLLAND B.V. 's-Hertogenbosch, The Netherlands. NAME LOW INSERTION FORCE FASTON RECEPTACLE FOR 0,8 mm TABTHICKNESS .250srs(6,3)
B	EH-0935-93	P.B.	P.B.	03.12.93	
A	EH-0242-93	P.B.	P.B.	14.04.93	
0	H-9565	P.B.	A.B.	20.02.92	
LTR.	REVISION RECORD	DR.	CHK.	DATE	

DR.:	P.BEIJNON	CHK.:	A.BIJNEN	APP.:	L.v.SOEST.	DWG.No.	C-100645	REV.LTR.	B1	SHEET	1 OF 1	A3
DATE:	20.02.92	DATE:	-	DATE:	-							

X-ON Electronics

Largest Supplier of Electrical and Electronic Components

Click to view similar products for [Terminals](#) category:

Click to view products by [TE Connectivity](#) manufacturer:

Other Similar products are found below :

[00-054007-01074-6](#) [00-054007-70206-1](#) [00-054007-70210-8](#) [00-054007-70217-7](#) [00-054007-70226-9](#) [00-054007-70228-3](#) [00-054007-70248-1](#) [00-054007-70256-6](#) [00-054007-70301-3](#) [00-054007-70316-7](#) [0-0320562-0](#) [00-054007-49560-4](#) [00-054007-70209-2](#) [00-054007-70225-2](#) [00-054007-70227-6](#) [00-054007-70231-3](#) [00-054007-70241-2](#) [00-054007-70242-9](#) [00-054007-70244-3](#) [00-054007-70246-7](#) [00-054007-70263-4](#) [00-054007-70288-7](#) [00-054007-70290-0](#) [00-054007-70300-6](#) [00-054007-70304-4](#) [01-2065-1-0216](#) [01-2900-1-04412](#) [00581P0075](#) [600TS-10](#) [60205-1](#) [604200-1](#) [605601-1](#) [60598-1-CUT-TAPE](#) [61314-6-C](#) [61810-3](#) [61-S](#) [61-SN](#) [626-0194](#) [62-NBM-A](#) [62-SN](#) [62-SP](#) [63-S](#) [640179-1](#) [M55155/059I03](#) [M55155/079C01](#) [M55155/099H02](#) [M55155/109H01](#) [M55155/109H02](#) [M55155/12XH05](#) [M55155/16XH02](#)