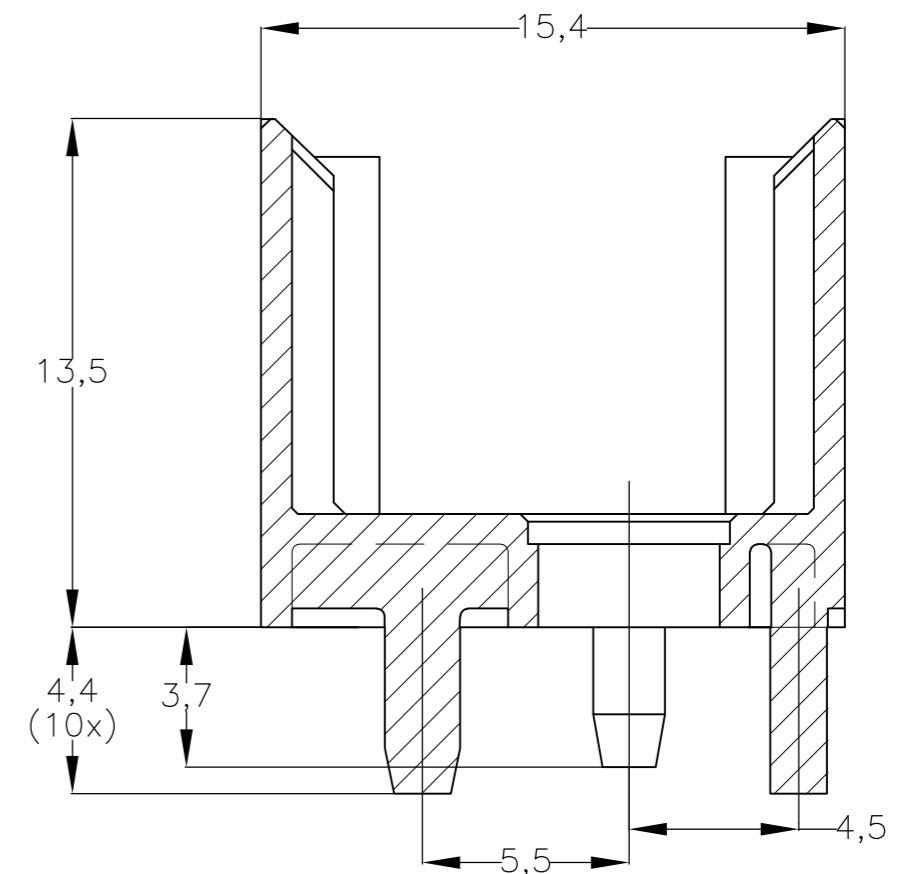
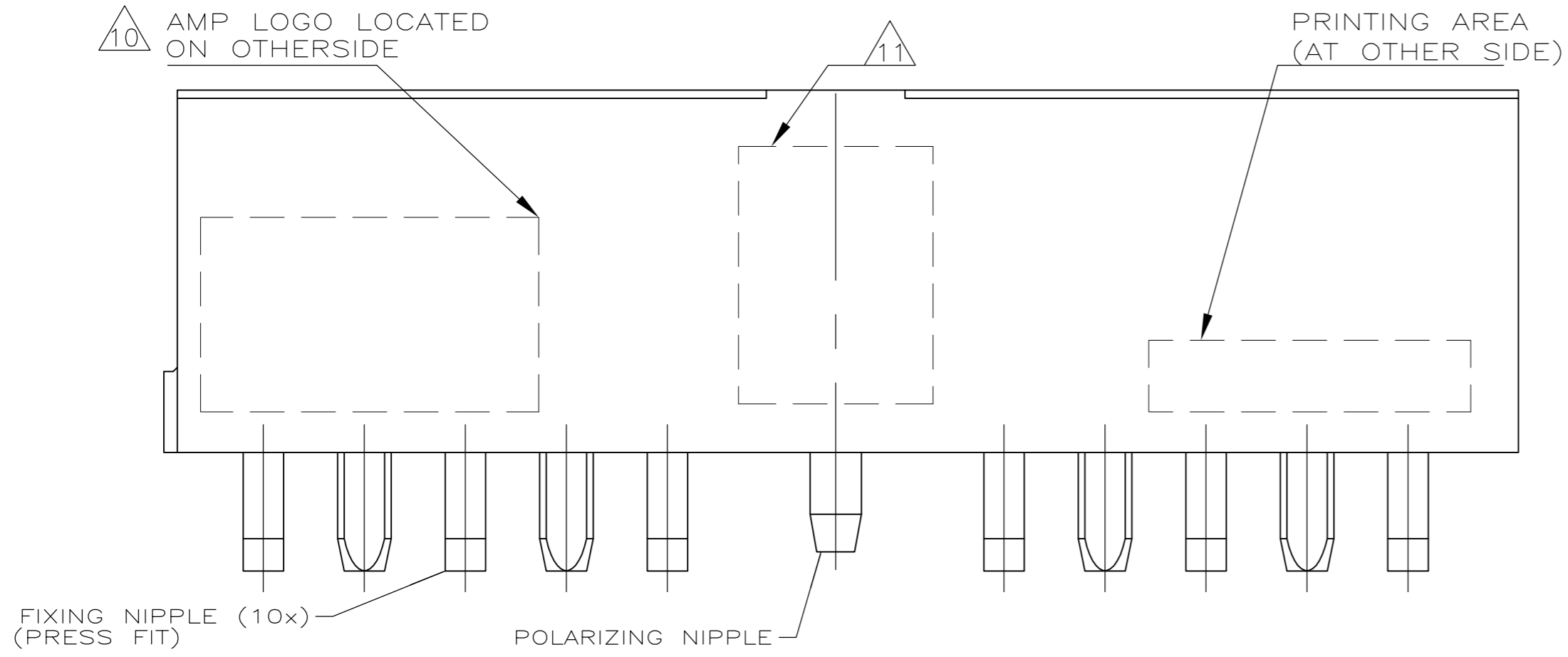
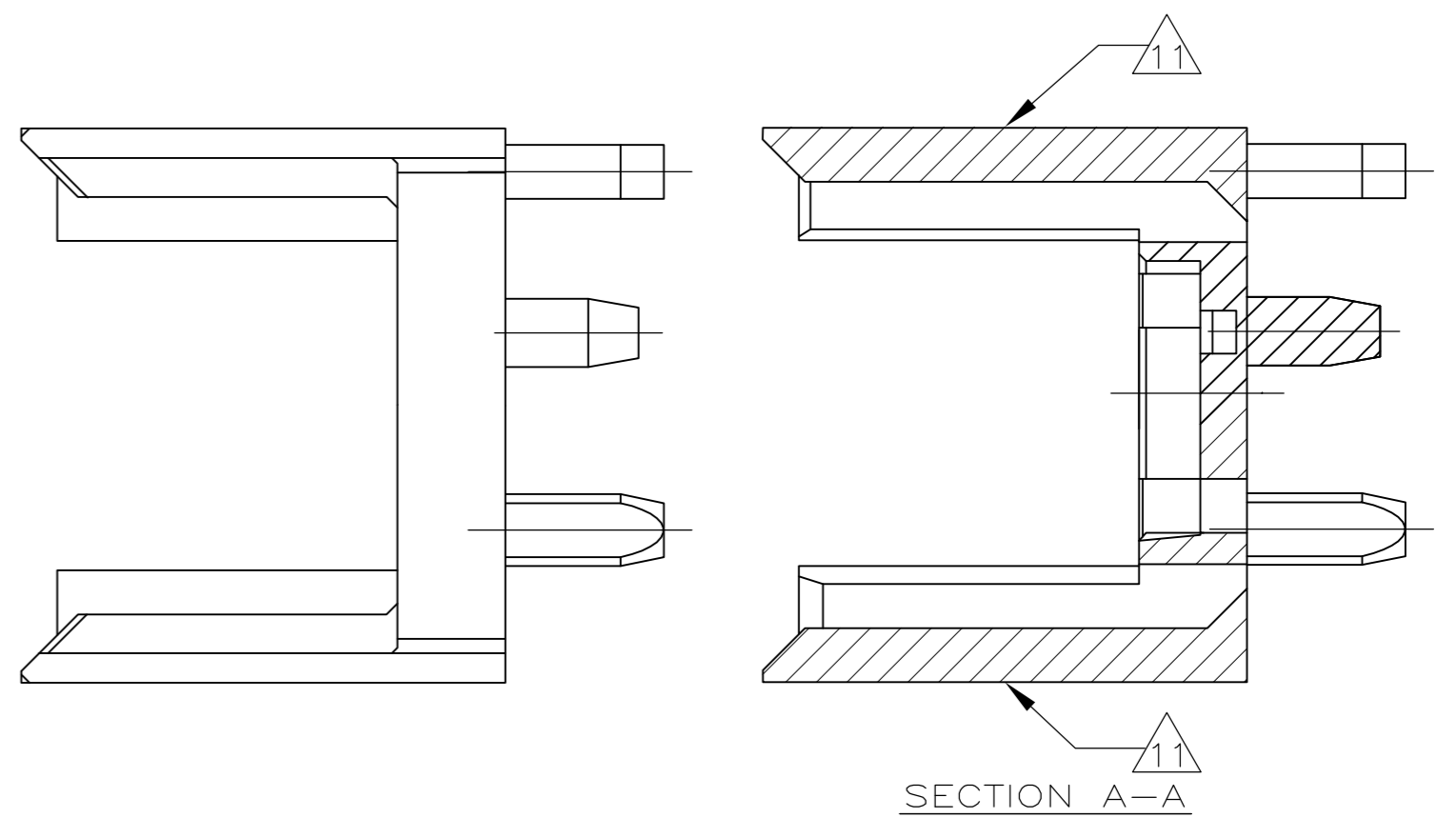
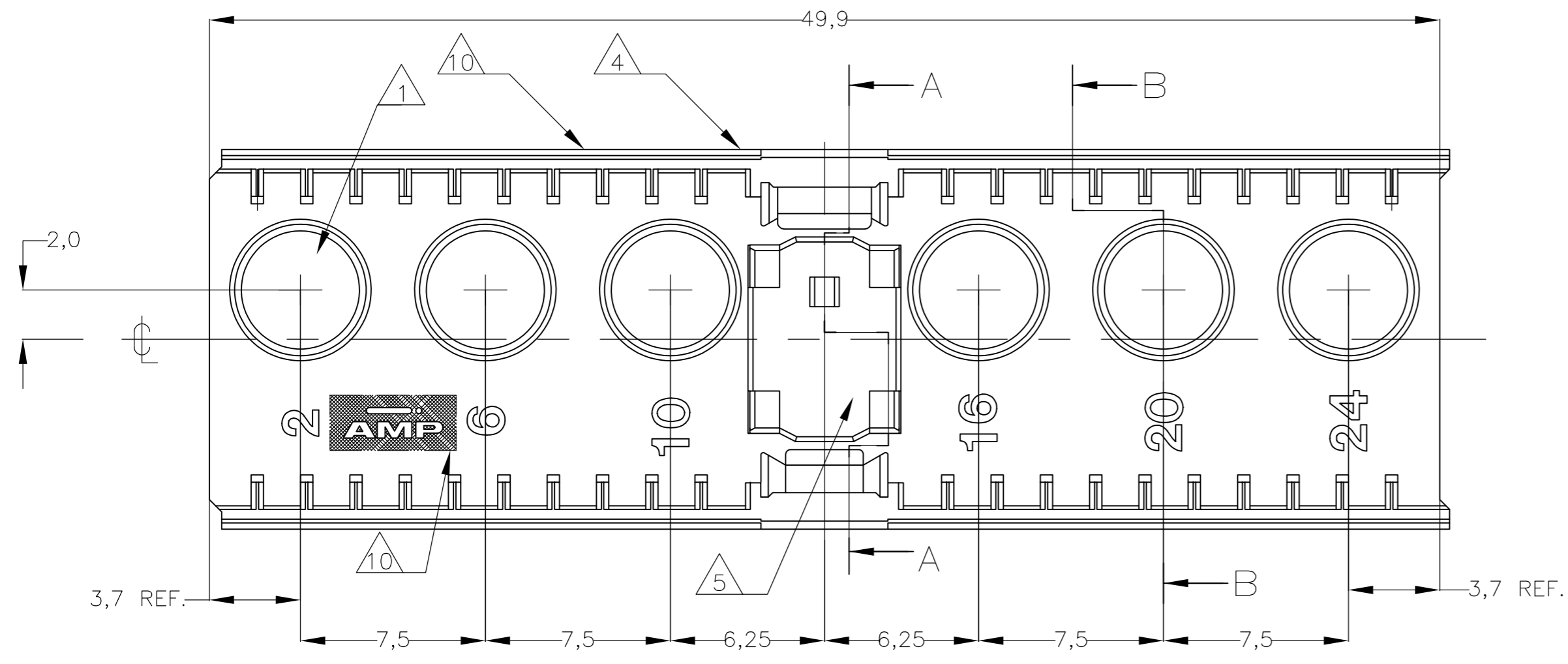
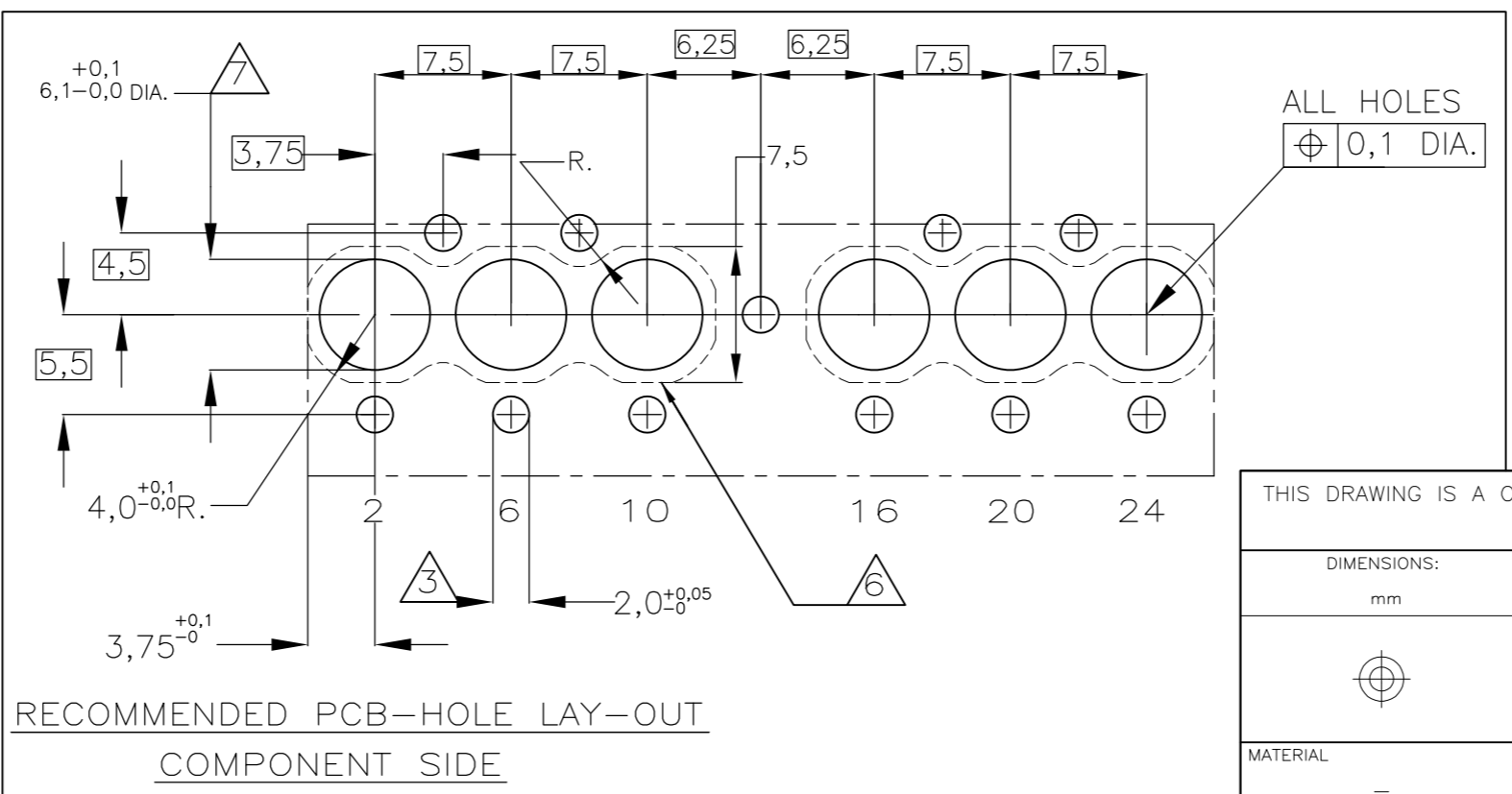


THIS DRAWING IS UNPUBLISHED. RELEASED FOR PUBLICATION
 © COPYRIGHT BY TYCO ELECTRONICS CORPORATION. ALL RIGHTS RESERVED.

LOC		DIST		REVISIONS			
P	LTR	DESCRIPTION		DATE	DWN	APVD	
G		REVISED PER ECR-14-013007		21DEC14	FL	FY	



- NOTES:
- 1 CONTACT CAVITIES SUITABLE FOR 4.8 DIA. HIGH CURRENT HIGH FREQUENCY OR FIBRE OPTIC CONTACTS AS PER DIN 41626 {SEE ALSO NOTE 6 AND 7}.
 - 2 MATERIAL HOUSING : GREW GLASSFILLED POLYESTER.
 - 3 NOT PLATED-THROUGH HOLES (11x).
 - 4 CONNECTOR PRINTED WITH PARTNUMBER AND (OPTIONAL) DATECODE.
 - 5 AREA RESERVED FOR KEYING PART, BASIC P/N 100525.
 - 6 PATTERN FOR FIBRE OPTIC CONTACTS.
 - 7 NOT PLATED-THROUGH HOLES: TO BE REPLACED BY 5.9^{+0.1} DIA. PLATED-THROUGH HOLES IF STRAIGHT SOLDER CONTACTS ARE APPLIED.
 - 8 PACKED IN TUBES
 - 9 PACKED IN BULK
 - 10 AMP LOGO EITHER SHOWN IN FLOOR OR SIDE OF HOUSING.
 - 11 VOID CORNING MAY BE PRESENT IN THESE LOCATIONS.



THIS DRAWING IS A CONTROLLED DOCUMENT.

DIMENSIONS:	TOLERANCES UNLESS OTHERWISE SPECIFIED:
mm	0-PLC ±
	1-PLC ±
	2-PLC ± ±0.2
	3-PLC ±
	4-PLC ±
	ANGLES ±
MATERIAL	FINISH
-	-

FINISH	MATERIAL	PARTNUMBER
-	2	100745-3
-	2	100745-1
DWN S. MEEUWSEN 13 MAR 92 CHK B. MOOIJ 23 MAR 92 APVD L. v. SOEST 13 APR 92 Tyco Electronics Tyco Electronics Corporation 's-Hertogenbosch, 5222AR-32 NAME Z-PACK 2mm HM TYPE L MALE CONNECTOR HOUSING SIZE A2 CAGE CODE 00779 DRAWING NO C=100745 RESTRICTED TO WEIGHT - SCALE - SHEET 1 OF 1 REV G CUSTOMER DRAWING		

X-ON Electronics

Largest Supplier of Electrical and Electronic Components

Click to view similar products for [Hard Metric Connectors](#) category:

Click to view products by [TE Connectivity](#) manufacturer:

Other Similar products are found below :

[6345127-1](#) [646916-9](#) [6469658-1](#) [973108](#) [1-2000713-0](#) [1-2000713-2](#) [1-2000713-3](#) [1645343-1](#) [1645456-1](#) [1645594-1](#) [1645595-1](#) [1645601-1](#)
[1934822-1](#) [278071110010833](#) [1645179-1](#) [1645245-1](#) [1645457-1](#) [1645525-1](#) [1645570-1](#) [1645596-1](#) [17041102202](#) [1857470-1](#) [1934275-1](#)
[1934289-1](#) [1934759-1](#) [2000673-1](#) [2170292-2](#) [2-536642-6](#) [3-106015-1](#) [352188-1](#) [352629-1](#) [5120823-1](#) [5120899-1](#) [3-100145-0](#) [3-100147-0](#)
[3-100669-1](#) [3-106081-0](#) [HM2DK2368PLF](#) [5646530-1](#) [3-352049-0](#) [3-352069-0](#) [3-352115-0](#) [3-352638-0](#) [352189-1](#) [3-646357-0](#) [3-646487-0](#)
[3-646513-0](#) [106726-1](#) [114352](#) [114619](#)