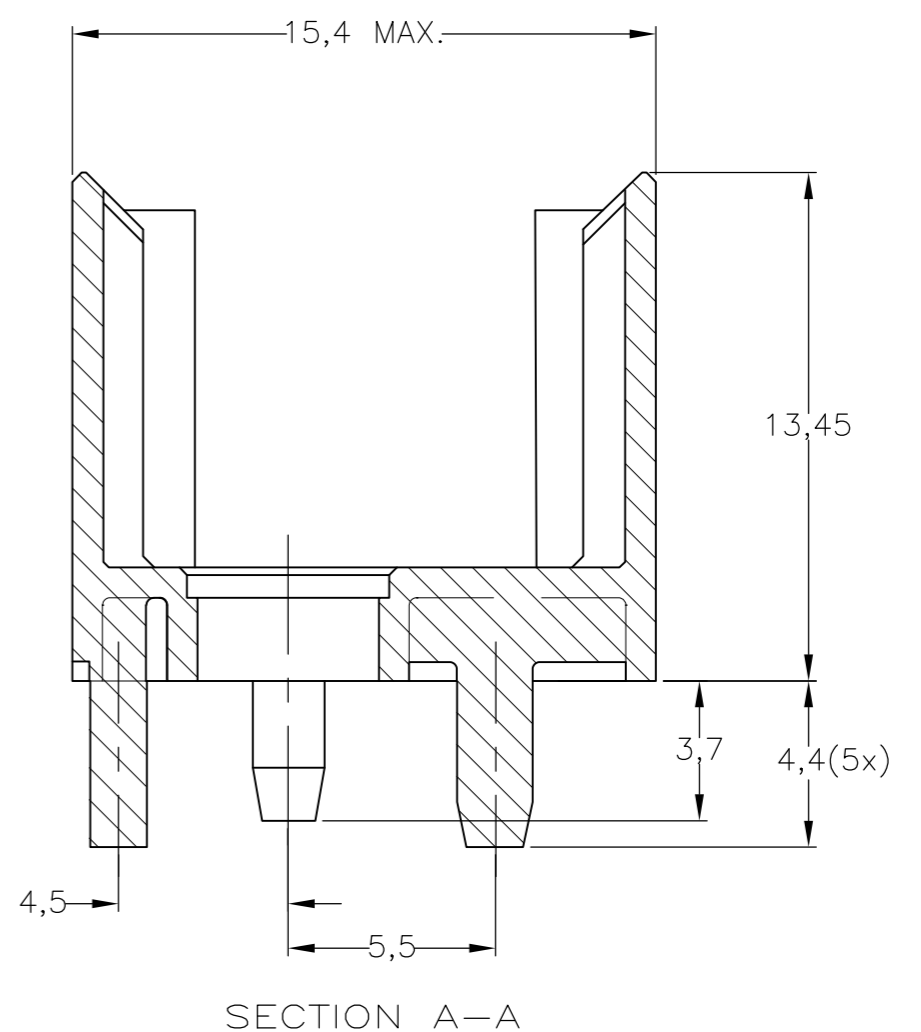
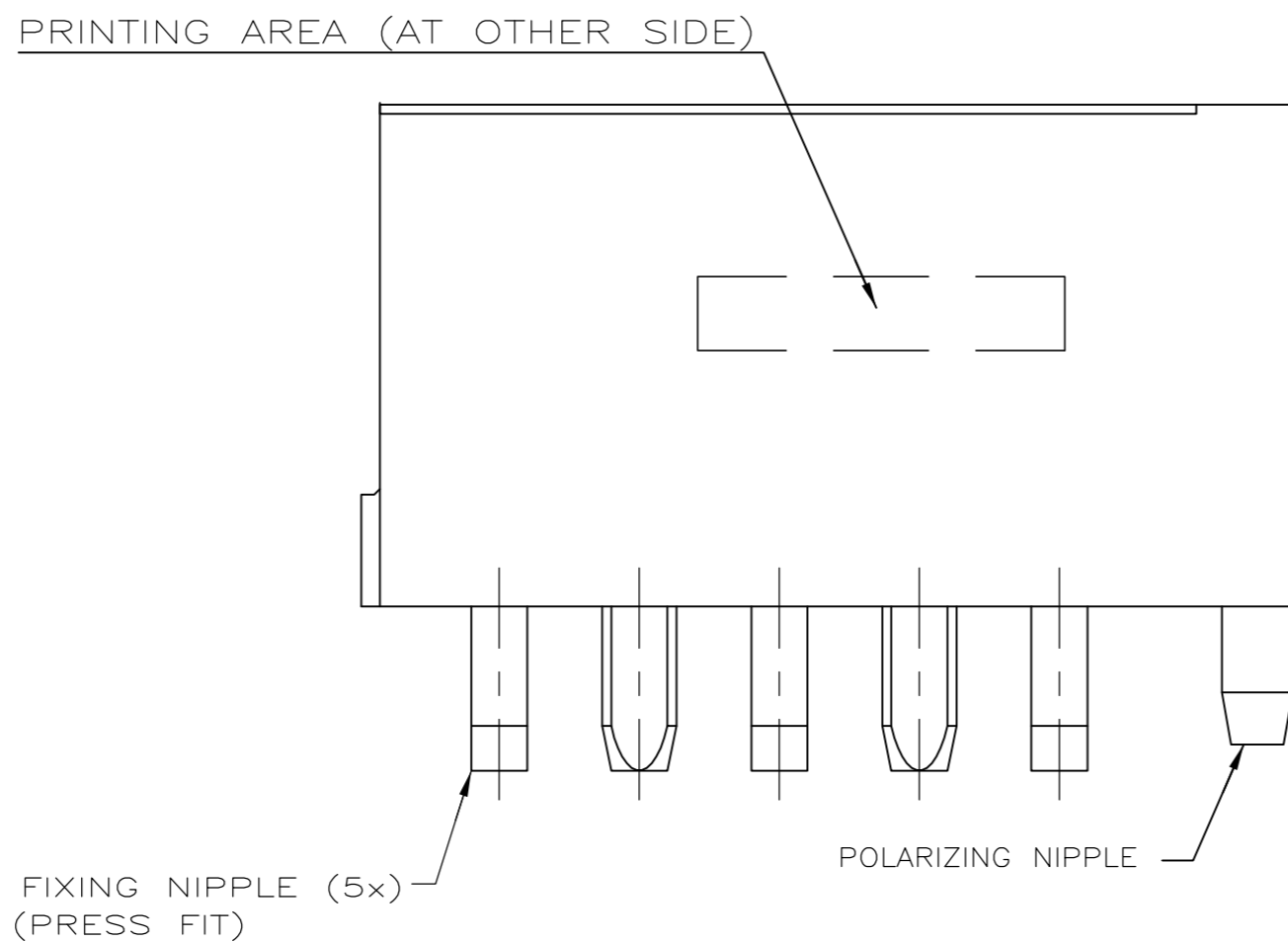
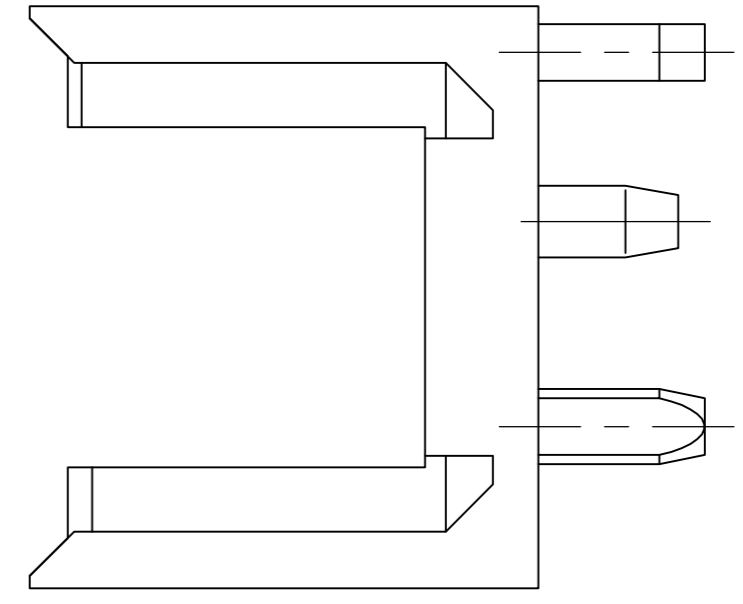
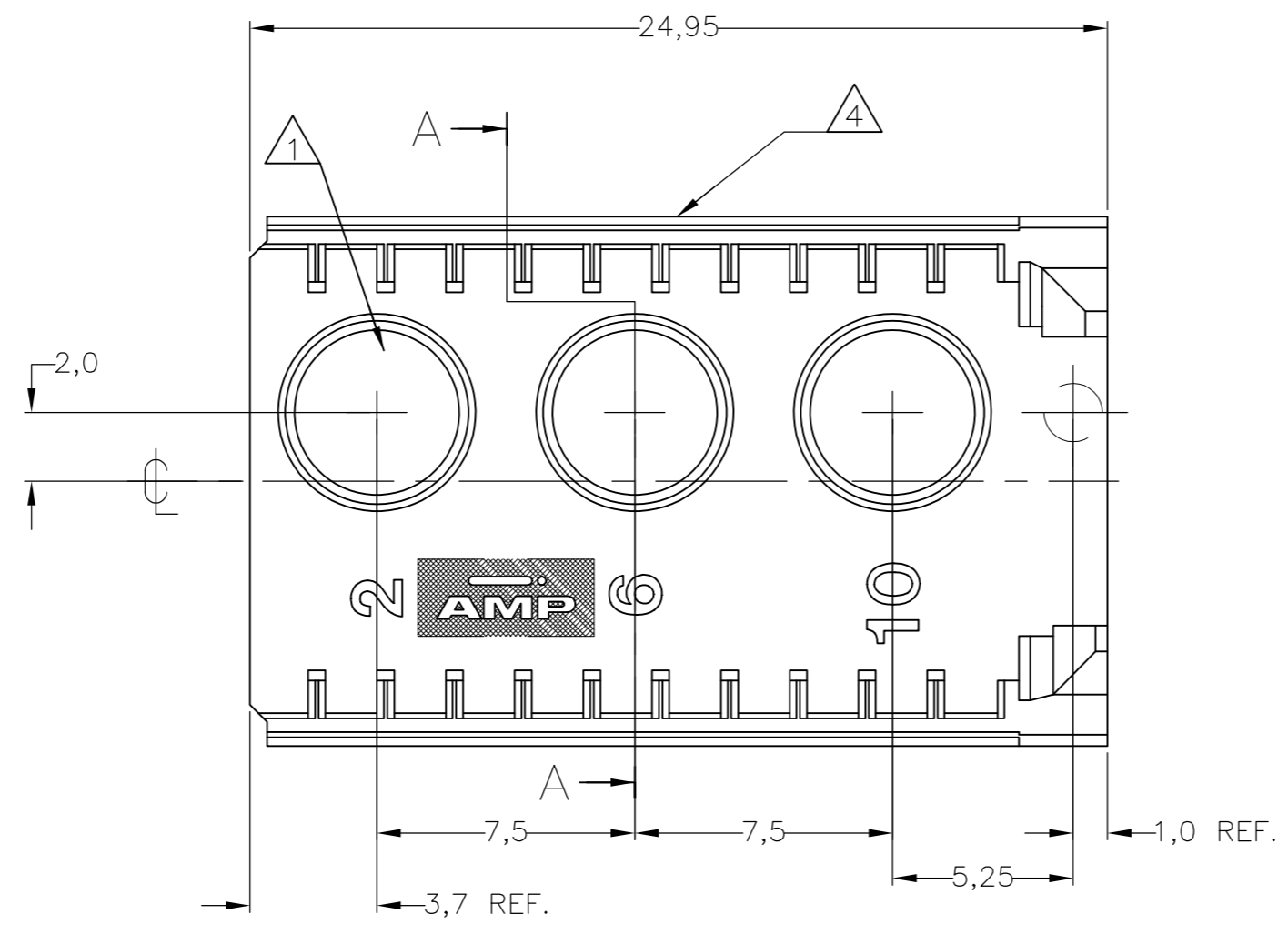
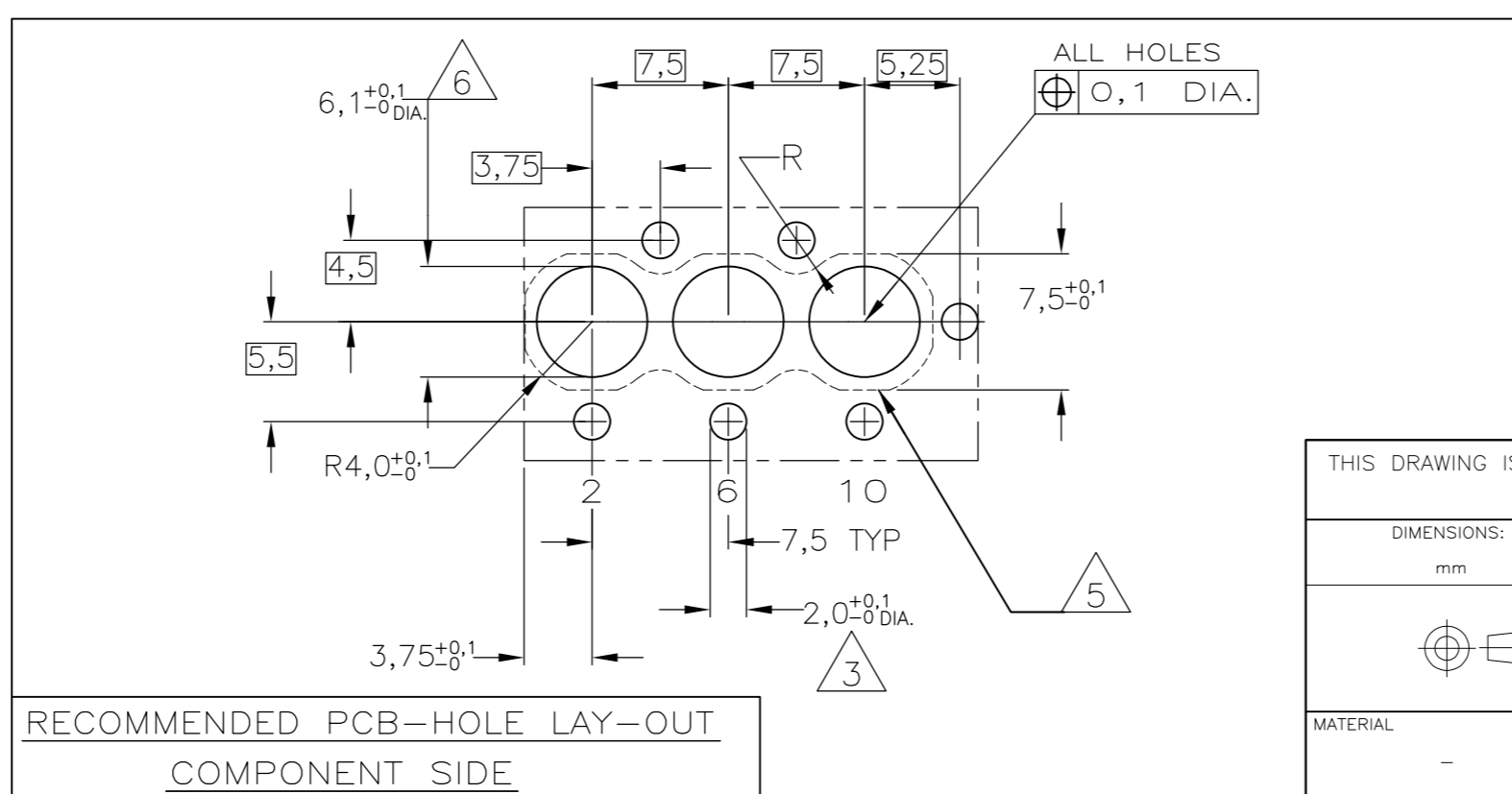


THIS DRAWING IS UNPUBLISHED. RELEASED FOR PUBLICATION  
 © COPYRIGHT - By - ALL RIGHTS RESERVED.

LOC		DIST		REVISIONS			
P	LTR	DESCRIPTION		DATE	DWN	APVD	
H	-	F	REVISED PER ECR-14-009289	22SEP14	FL	FY	



- NOTES:
- 1 CONTACT CAVITIES SUITABLE FOR 4,8 DIA. HIGH CURRENT, HIGH FREQUENCY OR FIBRE OPTIC CONTACTS AS PER DIN 41626 (SEE ALSO NOTE 5 AND 6).
  - 2 MATERIAL HOUSING : GREY GLASSFILLED POLYESTER.
  - 3 NOT PLATED-THROUGH HOLES (6x).
  - 4 CONNECTOR PRINTED WITH PARTNUMBER AND DATECODE.
  - 5 PATTERN FOR FIBRE OPTIC CONTACTS.
  - 6 NOT PLATED-THROUGH HOLES; TO BE REPLACED BY 5,9<sup>+0,1</sup> DIA. PLATED-THROUGH HOLES IF STRAIGHT SOLDER CONTACTS ARE APPLIED.
  - 7 BULK PACKED
  - 8 PACKED IN TUBES
  - 9 OBSOLETE PARTS: OBSOLETE CIS STREAMLINING PER D.RENAUD/D.SINISI



THIS DRAWING IS A CONTROLLED DOCUMENT.		DWN S. MEEUWSEN 17 MAR 92	FINISH		MATERIAL		PARTNUMBER	
DIMENSIONS: mm		CHK B.MOOIJ 23 MAR 92	APVD L. v. SOEST 13 APR 92		NAME		TE Connectivity	
TOLERANCES UNLESS OTHERWISE SPECIFIED:		PRODUCT SPEC 108-19082		APPLICATION SPEC 114-19029		SIZE A2		CAGE CODE 00779
MATERIAL		FINISH		WEIGHT		DRAWING NO. C=100751		RESTRICTED TO
9-PLG ±		1-PLC ±		2-PLC ± ±0.2		SCALE -		SHEET 1 of 1
3-PLC ±		4-PLC ±		ANGLES ±		REV F		

## X-ON Electronics

Largest Supplier of Electrical and Electronic Components

*Click to view similar products for [Hard Metric Connectors](#) category:*

*Click to view products by [TE Connectivity](#) manufacturer:*

Other Similar products are found below :

[6345127-1](#) [646916-9](#) [6469658-1](#) [973108](#) [1-2000713-0](#) [1-2000713-2](#) [1-2000713-3](#) [1645343-1](#) [1645456-1](#) [1645594-1](#) [1645595-1](#) [1645601-1](#)  
[1934822-1](#) [278071110010833](#) [1645179-1](#) [1645245-1](#) [1645457-1](#) [1645525-1](#) [1645570-1](#) [1645596-1](#) [17041102202](#) [1857470-1](#) [1934275-1](#)  
[1934289-1](#) [1934759-1](#) [2000673-1](#) [2170292-2](#) [2-536642-6](#) [3-106015-1](#) [352188-1](#) [352629-1](#) [5120823-1](#) [5120899-1](#) [3-100145-0](#) [3-100147-0](#)  
[3-100669-1](#) [3-106081-0](#) [HM2DK2368PLF](#) [5646530-1](#) [3-352049-0](#) [3-352069-0](#) [3-352115-0](#) [3-352638-0](#) [352189-1](#) [3-646357-0](#) [3-646487-0](#)  
[3-646513-0](#) [104108](#) [106726-1](#) [114352](#)