



Raychem

TE Internal #: 1153883001

Twisted Pair Cable, Spec 100G, 750VAC Twisted Pair Cable Voltage Rating, .4mm<sup>2</sup> Wire Size, Operating Temperature Range -55 – 120 °C

[View on TE.com >](#)

Wire & Cable > Twisted Pair Cable



Twisted Pair Cable Type: **Spec 100G**

Twisted Pair Cable Voltage Rating: **750 VAC**

Twisted Pair Cable Insulation Material: **Flame-Retardant, Modified Polyester**

Twisted Pair Cable Conductor Material: **Tin-Plated Copper**

Wire Size: **.4 mm<sup>2</sup>**

## Features

### Product Type Features

Twisted Pair Cable Type	Spec 100G
-------------------------	-----------

### Electrical Characteristics

Twisted Pair Cable Voltage Rating	750 VAC
-----------------------------------	---------

### Body Features

Twisted Pair Cable Insulation Material	Flame-Retardant, Modified Polyester
Twisted Pair Cable Conductor Material	Tin-Plated Copper

### Dimensions

Wire Size	.4 mm <sup>2</sup>
-----------	--------------------

### Usage Conditions

Operating Temperature Range	-55 – 120 °C
-----------------------------	--------------

## Product Compliance

[For compliance documentation, visit the product page on TE.com>](#)

EU RoHS Directive 2011/65/EU	Compliant
EU ELV Directive 2000/53/EC	Compliant
China RoHS 2 Directive MIIT Order No 32, 2016	No Restricted Materials Above Threshold
EU REACH Regulation (EC) No. 1907/2006	



Current ECHA Candidate List: JUN 2020  
(209)  
Candidate List Declared Against: JUN 2020  
(209)  
Does not contain REACH SVHC

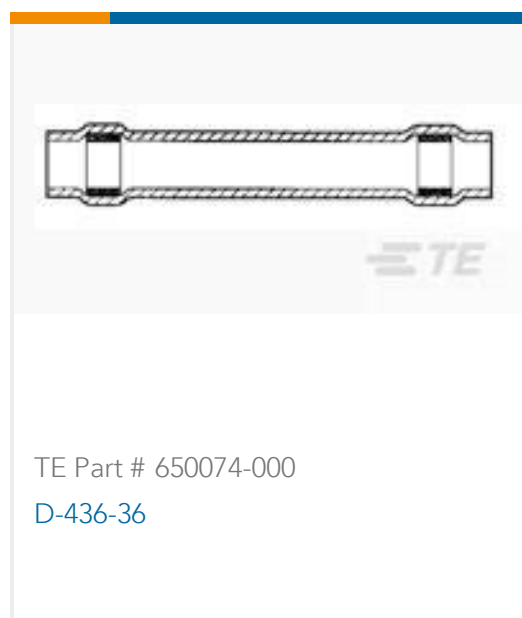
Halogen Content  
Out of Scope - excluded from Halogen requirements

Solder Process Capability  
Not applicable for solder process capability

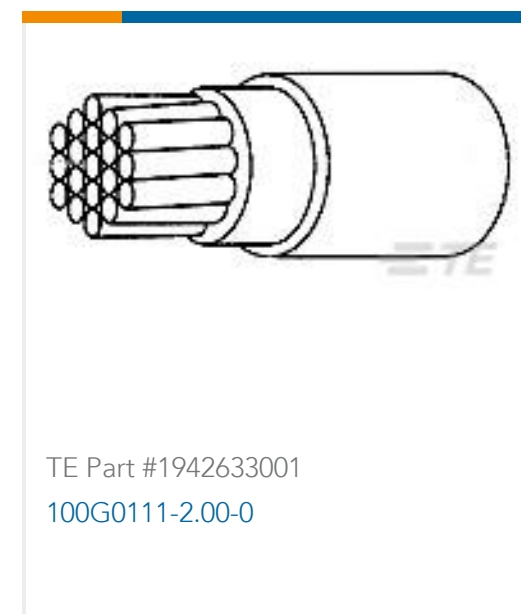
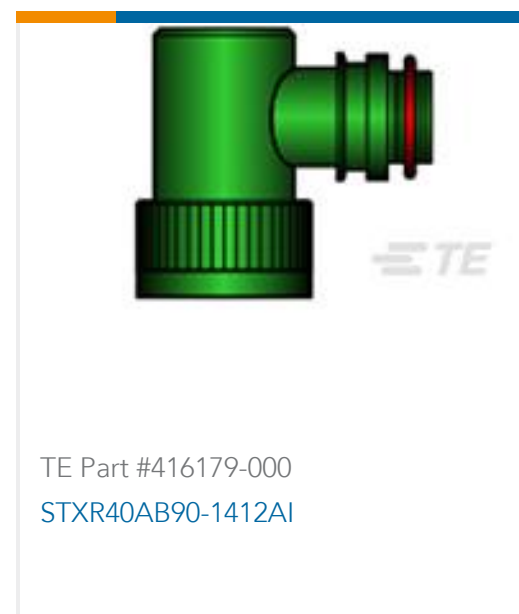
Product Compliance Disclaimer

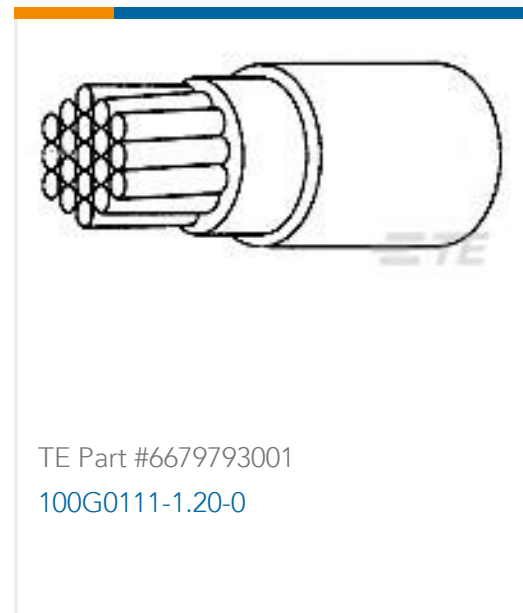
This information is provided based on reasonable inquiry of our suppliers and represents our current actual knowledge based on the information they provided. This information is subject to change. The part numbers that TE has identified as EU RoHS compliant have a maximum concentration of 0.1% by weight in homogenous materials for lead, hexavalent chromium, mercury, PBB, PBDE, DBP, BBP, DEHP, DIBP, and 0.01% for cadmium, or qualify for an exemption to these limits as defined in the Annexes of Directive 2011/65/EU (RoHS2). Finished electrical and electronic equipment products will be CE marked as required by Directive 2011/65/EU. Components may not be CE marked. Additionally, the part numbers that TE has identified as EU ELV compliant have a maximum concentration of 0.1% by weight in homogenous materials for lead, hexavalent chromium, and mercury, and 0.01% for cadmium, or qualify for an exemption to these limits as defined in the Annexes of Directive 2000/53/EC (ELV). Regarding the REACH Regulation, the information TE provides on SVHC in articles for this part number is based on the latest European Chemicals Agency (ECHA) 'Guidance on requirements for substances in articles' posted at this URL: <https://echa.europa.eu/guidance-documents/guidance-on-reach>

### Compatible Parts



### Customers Also Bought





## Documents

### Product Drawings

[100G1121-0.40-0/9-0](#)

English

### Datasheets & Catalog Pages

[1654025\\_Sec9\\_Zerohal100G](#)

English

[Raychem Wire and Cable Quick Reference Guide](#)

English

## X-ON Electronics

Largest Supplier of Electrical and Electronic Components

*Click to view similar products for [Multi-Conductor Cables](#) category:*

*Click to view products by [TE Connectivity](#) manufacturer:*

Other Similar products are found below :

[89504-002-1000](#) [89705-008-500](#) [6000FE-877-1000](#) [CS2885-000](#) [M27500-20SP2S23](#) [6309UE-877-1000](#) [M3905-BK005](#) [6502FE 8771000](#)  
[CW9530-000](#) [CX6543-000](#) [CXA-0066-20-4-9CS2973](#) [CXA-0078-16-1-9CS2405](#) [CXA-0078-22-4-9CS2405](#) [CXA-0078-24-4-9CS2405](#)  
[CXA-0140-16-6/9-9CS2405](#) [CY0660-000](#) [720451-000](#) [752687-000](#) [768146-000](#) [773159-000](#) [83318E-009-500](#) [8348-060-500](#) [83559-002-](#)  
[1000](#) [83653-002-5000](#) [8404-060-500](#) [8469 060100](#) [858171-000](#) [8628-060-500](#) [868361-001](#) [8730-060-1000](#) [8737-060-U1000](#) [8747-060-100](#)  
[8747-060-1000](#) [8769-060-1000](#) [8775-060-500](#) [8780-060-1000](#) [8782-001-U1000](#) [9159-060-500](#) [9318-060-1000](#) [939870-000](#) [9423 060U500](#)  
[9444 060U1000](#) [9497 0001000](#) [9520-060-1000](#) [9524-060-1000](#) [9546-060-500](#) [9572-002-U500](#) [9774-060-1000](#) [A43962-000](#) [1232A1-008-](#)  
[1000](#)