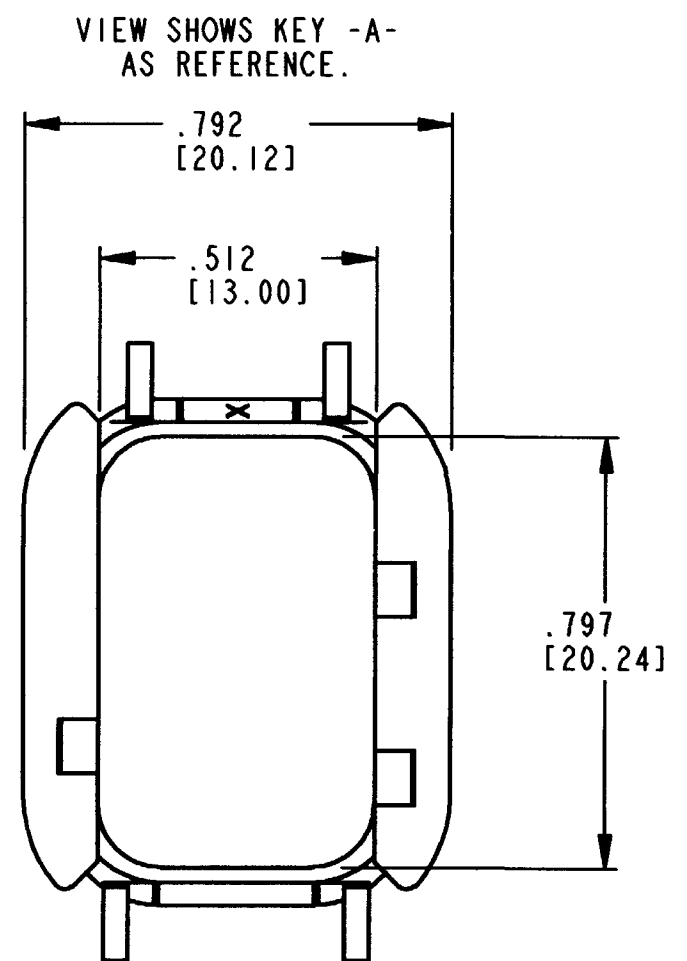
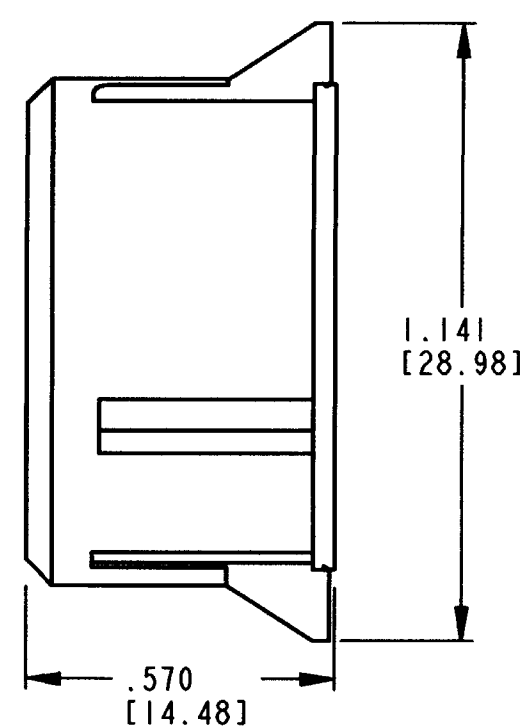
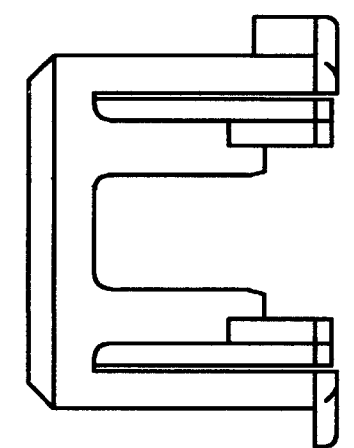


- 6. SEE NEXT SHEET FOR COLOR OF MATERIAL AND KEY ARRANGEMENT.
 - 5. ASSEMBLE SLEEVE RETAINER AS SHOWN. SNAP SLEEVE RETAINER INTO RECEPTACLE. VERIFY SLEEVE RETAINER RETENTION FINGERS ARE FULLY SEATED BEHIND RECEPTACLE LATCH BUMPS. RECEPTACLE AND INTERFACE SEAL SHOWN FOR REFERENCE ONLY.
 - 4. MATERIAL: PLASTIC
 - 3. PART DESIGNED TO FIT DTM04-08P*-**** (* = A,B,C,D KEYS) (**** = ALL MODIFICATIONS). CONSULT FACTORY FOR MODIFICATIONS.
 - 2. DIMENSIONS ARE ±.025 [.64]
 - 1. DIMENSIONS ARE IN INCHES [mm]
- NOTES: UNLESS OTHERWISE SPECIFIED

REV NC 1011-048-0805
051

| REVISIONS | | | |
|-----------|-----------------------------|---------|----------|
| SYM | DESCRIPTION | DATE | APPROVED |
| NC | NEW RELEASE PER E.O. P18259 | 8-22-03 | ADR |
| | | | |
| | | | |



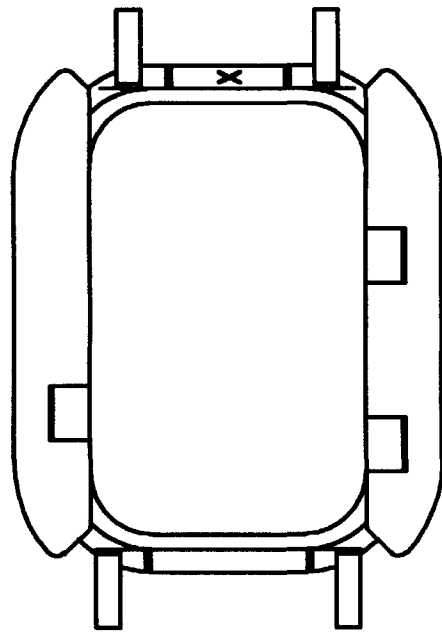
| SIGNATURE & DATE | |
|------------------|----------------------------|
| DR | V. TOMSA AUG-7-03. |
| CHK | <i>[Signature]</i> 8/19/03 |
| PE | <i>[Signature]</i> 8/19/03 |
| APPD | <i>[Signature]</i> 8/12/03 |
| SCALE | NONE WT |

SLEEVE RETAINER
FOR 8 PIN RECEPTACLE
DTM SERIES

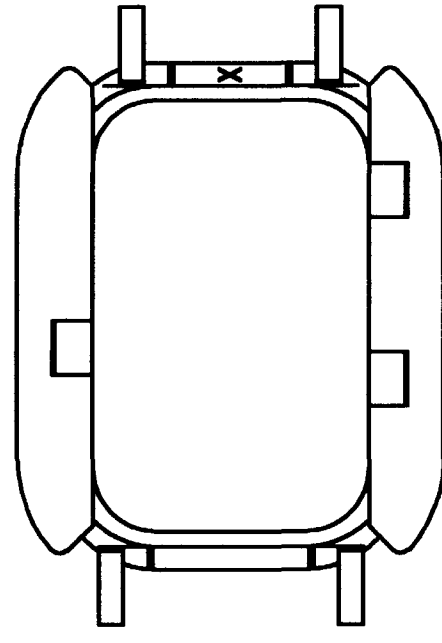
ENVELOPE

| | |
|--------------------------------------------------------------------------------------------|---------------|
| CP | MATL. CODE |
| The Deutch Company DEUTSCH I.P.D. 3850 INDUSTRIAL AVE. HEMET, CALIF. 92545 | |
| B | 1011-048-0805 |
| DWG SIZE 11139 | SHEET 1 OF 2 |

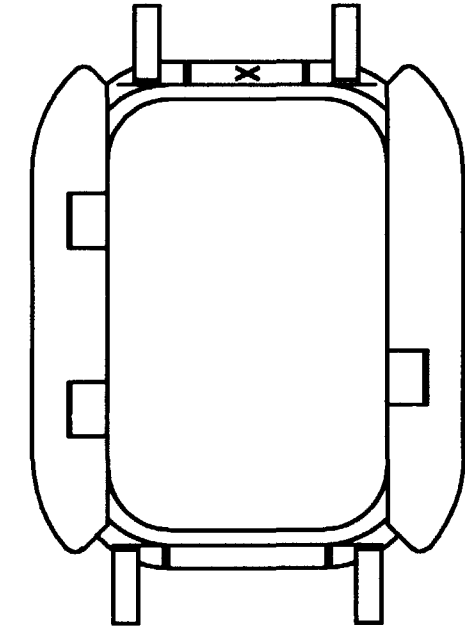
| REV NC | 101-048-051-0805 | REVISIONS | | |
|--------|---------------------|-----------|----------|--|
| SYM | DESCRIPTION | DATE | APPROVED | |
| | SEE PREVIOUS SHEET. | 8-22-03 | ADR | |
| | | | | |
| | | | | |



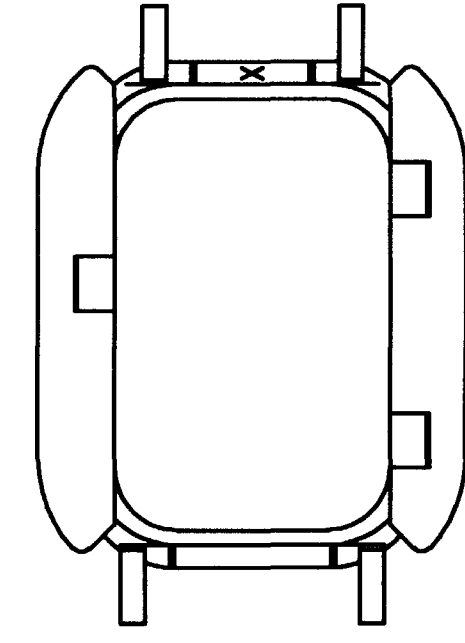
101-048-0805
KEY -A-
GREY



101-048-0805
KEY -B-
BLACK



101-050-0805
KEY -C-
GREEN



101-051-0805
KEY -D-
BROWN

NOTES:

| | | | | | |
|------------------|-----------------------------|----------------------------------------------------------------|--------------------------------------------------------------------------------------------|-----------------------------------|-------|
| SIGNATURE & DATE | | SLEEVE RETAINER FOR 8 PIN RECEPTACLE DTM SERIES | CP | MATL CODE | |
| DR | V. TOMSA AUG-7-03. | | The Deutch Company DEUTSCH I.P.D. 3850 INDUSTRIAL AVE. HEMET, CALIF. 92545 | | |
| CHK | <i>[Signature]</i> 8/19/03 | | B | 101-048-0805 051 | |
| PE | <i>[Signature]</i> AUG-8-03 | | | DWG SIZE | 11139 |
| APPD | <i>[Signature]</i> 8/12/03 | ENVELOPE | | | |
| SCALE | 1:1 | | | | |

X-ON Electronics

Largest Supplier of Electrical and Electronic Components

Click to view similar products for [Automotive Connectors](#) category:

Click to view products by [TE Connectivity](#) manufacturer:

Other Similar products are found below :

[003-018-000](#) [60403001](#) [60993906-B](#) [M902-2131](#) [M902-2161](#) [M902-2344](#) [72.330.1035.1](#) [73.353.4028.0](#) [F119300-B](#) [F166900](#) [F258300-B](#)
[F358300-B](#) [F407400](#) [F444110](#) [F487000](#) [F509500B-B](#) [827153-1](#) [8N1515-32-24P](#) [9-1326729-8](#) [925474-1](#) [928905-1](#) [964562-4](#) [968782-1](#)
[GT17SA-8DS-HU](#) [98891-1012](#) [98947-1016](#) [12004147](#) [12004475-L](#) [12010290](#) [12010309-B](#) [12015454](#) [12020219-B](#) [12041318-B](#) [12052225-](#)
[L](#) [12052466](#) [12064869](#) [12004327-B](#) [12015308](#) [12015384](#) [12015909](#) [1-21030-1](#) [12041254](#) [12041318](#) [12047946-B](#) [12047957](#) [12047957-L](#)
[12059473](#) [12066261](#) [12110546](#) [12110546-B](#)