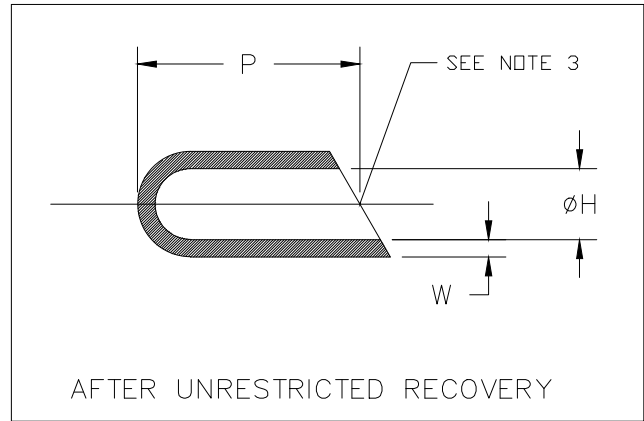
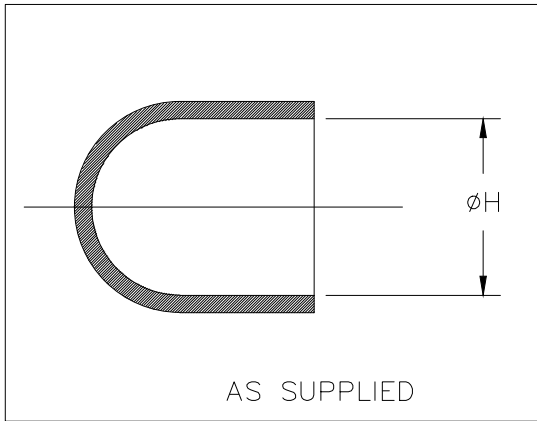


| REVISIONS | | | | | |
|-----------|-----|------------------|-----------|-----|------|
| P | LTR | DESCRIPTION | DATE | DWN | APVD |
| | W | PRODUCTION ISSUE | 18JAN2019 | PNT | MT |



| PART NUMBER | H | | P | W |
|-------------|----------------|----------------|-----------------|-----------------|
| | Min a | Max b | Min b | $\pm 20\%$ b |
| 101A011 | 5.1 [.20] | 2.0 [.08] | 22.9 [.90] | 1.02 [.04] |
| 101A021 | 7.4 [.29] | 3.3 [.13] | 25.4 [1.00] | 1.27 [.05] |
| 101A031 | 10.2 [.40] | 4.6 [.18] | 30.5 [1.20] | 1.52 [.06] |
| 101A041 | 15.2 [.60] | 6.4 [.25] | 40.6 [1.60] | 1.78 [.07] |
| 101A052 | 20.6 [.81] | 9.4 [.37] | 61.0 [2.40] | 2.03 [.08] |
| 101A062 | 25.4 [1.00] | 11.4 [.45] | 68.6 [2.70] | 2.29 [.09] |
| 101A073 | 39.4 [1.55] | 18.0 [.71] | 91.4 [3.60] | 2.54 [.10] |
| 101A083 | 50.8 [2.00] | 22.9 [.90] | 101.6 [4.00] | 2.79 [.11] |
| 101A094 | 83.8 [3.30] | 38.1 [1.50] | 114.3 [4.50] | 3.05 [.12] |

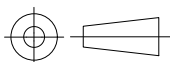
RELEASED FOR PUBLICATION

ALL RIGHTS RESERVED.

COPYRIGHT - TE Connectivity Ltd.

THIS DRAWING IS UNPUBLISHED.

| | | | | |
|--|-----------------------|--------------------|-------------------------|--------------------|
| DIMENSIONS: mm [INCHES] | DWN PRAVEEN N T | 18JAN2019 | MATERIAL SEE SHEET 2 | FINISH - |
| | CHK N NAGAR | 18JAN2019 | TE Connectivity Ltd. | |
| TOLERANCES UNLESS OTHERWISE SPECIFIED: | APVD M TAYLOR | 18JAN2019 | | |
| | 0 PLC $\pm -$ | PRODUCT SPEC - | SIZE A4 | CAGE CODE 00779 |
| 1 PLC ± 0.50 [.10] | APPLICATION SPEC - | RESTRICTED TO - | SCALE DNS | |
| 2 PLC ± 0.25 [.01] | WEIGHT | SHEET 1 OF 2 | | REV W |
| 3 PLC ± 0.13 [.005] | CUSTOMER DRAWING | | | |
| 4 PLC $\pm -$ | | | | |
| ANGLES $\pm 1^\circ$ | | | | |

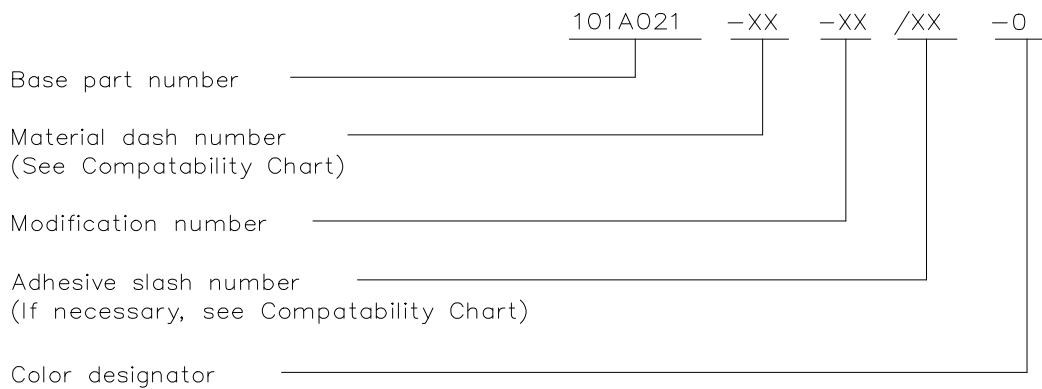


| REVISIONS | | | | |
|-----------|-----|-------------|------|------|
| P | LTR | DESCRIPTION | DATE | APVD |
| | - | SEE SHEET 1 | - | - |

COMPATIBILITY CHART

| MATERIAL DASH NO. | MATERIAL DESCRIPTION | RT SPEC | COATING SLASH NO. | COATING S NO. |
|-------------------|--------------------------------------|---------|-------------------|-------------------|
| -3 | Polyolefin, Semi-rigid | RT-301 | /42;/86;/180 | S1017;S1048;S1030 |
| -4 | Polyolefin, Flexible | RT-1304 | /42;/86;/180 | S1017;S1048;S1030 |
| -12 | Fluoroelastomer, Flexible | RT-1312 | N/A | N/A |
| -25 | Elastomer, Fluid Resistant | RW-2070 | /42;/86;/225 | S1017;S1048;S1206 |
| -100 | Polyolefin, Semi-flexible Zerohal | RW-2082 | /86;/180 | S1048;S1030 |


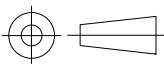
ORDERING INFORMATION



NOTES

- Dimensions appearing in table are as follows:
 - a - As Supplied
 - b - After Unrestricted Recovery
- Coating is optional. As supplied dimensions appearing in table are for uncoated parts. When coating is added, entry diameters will be reduced by 1.5mm[.06] max.
- Recovered parts may have angularity of 30° - 45°.

THIS DRAWING IS UNPUBLISHED. ALL RIGHTS RESERVED. © COPYRIGHT - TE Connectivity Ltd.

| | | | |
|--|---|---|---|
| DIMENSIONS: mm [INCHES] | DWN PRAVEEN N T 18JAN2019 | MATERIAL - | FINISH - |
| | CHK N NAGAR 18JAN2019 |  TE Connectivity Ltd. | |
| TOLERANCES UNLESS OTHERWISE SPECIFIED: | APVD M TAYLOR 18JAN2019 | | |
| 0 PLC ± - | PRODUCT SPEC - | SIZE A4 | RESTRICTED TO - |
| 1 PLC ± 0,50 [.10] | APPLICATION SPEC - | CAGE CODE 00779 | DRAWING NO G- 101A011-XX-0THRU094-XX-0 |
| 2 PLC ± 0,25 [.01] | WEIGHT | SCALE DNS | |
| 3 PLC ± 0,13 [.005] |  | SHEET 2 of 2 | |
| 4 PLC ± - | | REV W | |
| ANGLES ± 1° | CUSTOMER DRAWING | | |

X-ON Electronics

Largest Supplier of Electrical and Electronic Components

Click to view similar products for [Heat Shrink Cable Boots & End Caps](#) category:

Click to view products by [TE Connectivity](#) manufacturer:

Other Similar products are found below :

[577159N001](#) [645494-000](#) [CX4132-000](#) [687025-000](#) [705331-000](#) [718446-000](#) [725666N001](#) [729257-000](#) [F27131-000](#) [F85868-000](#) [770-003S106W2](#) [770-013210W1](#) [770-013311](#) [770-013312](#) [806542N001](#) [807507-000](#) [808059-000](#) [808362-000](#) [808618-000](#) [809125-000](#) [809130-000](#) [809218-000](#) [812014-000](#) [812047-000](#) [813166-000](#) [813767N002](#) [814741-000](#) [819117N001](#) [823026-000](#) [823070-000](#) [825002-000](#) [841189N001](#) [861471-000](#) [866647-000](#) [879515-000](#) [937577-000](#) [957073-000](#) [982033-2](#) [A77813-000](#) [R280576000](#) [D96192-000](#) [163549-000](#) [MTPSRBCL-C](#) [1954015-1](#) [200W531-3-0](#) [202A163-4-0-CS5067](#) [202A343-3-00-0](#) [202B221-13-0](#) [202B231-13-0](#) [202B563-25-07-0](#)