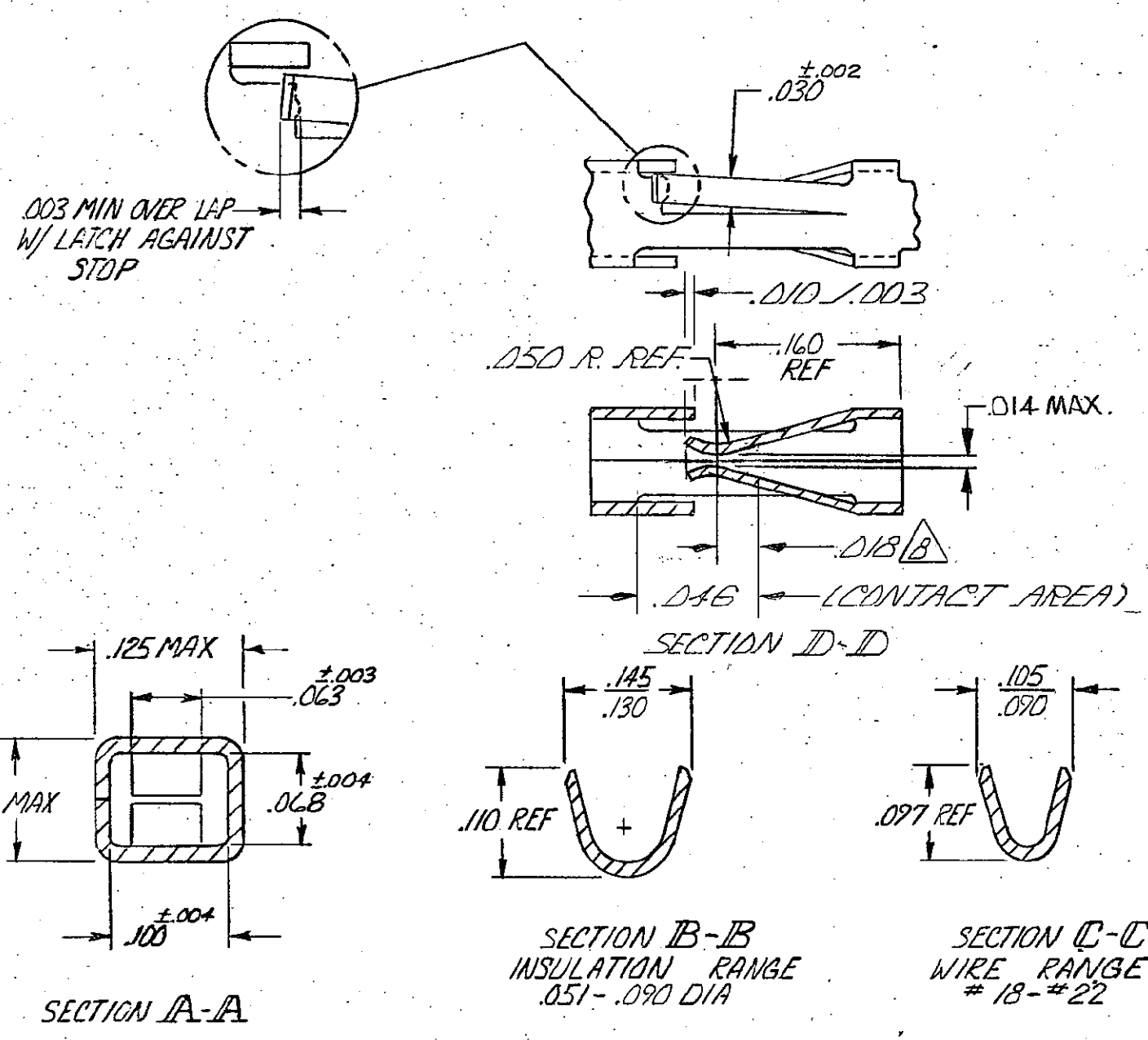
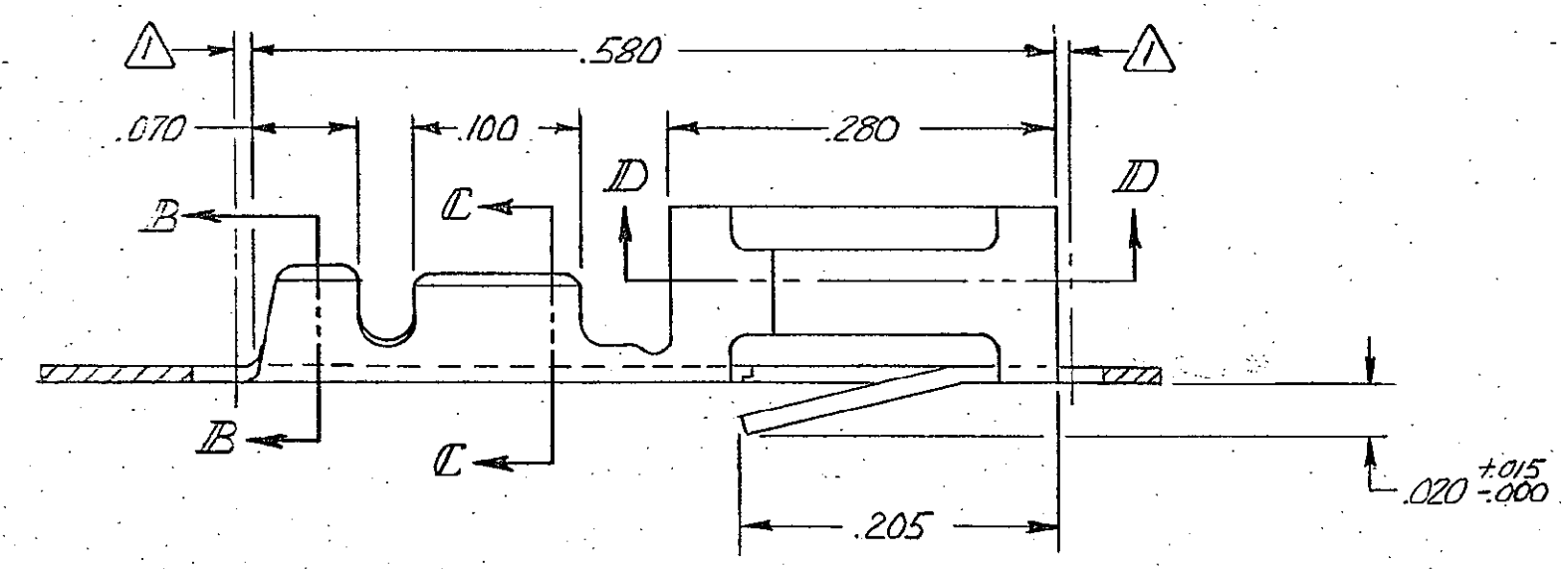
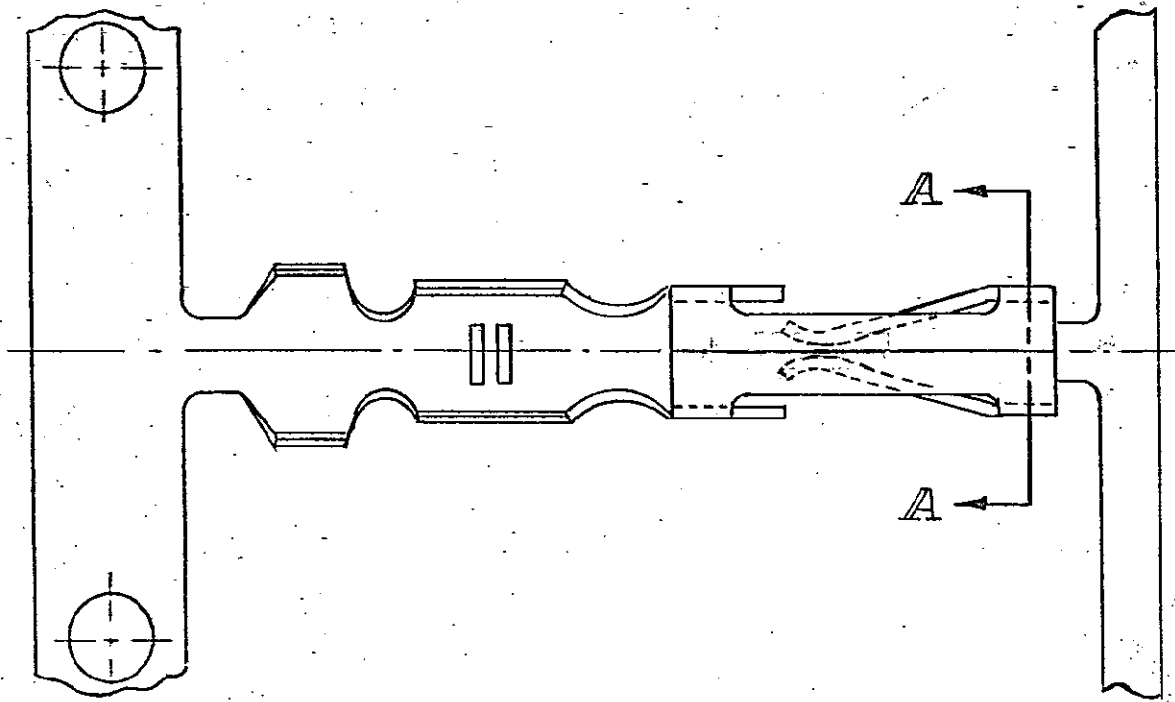


© COPYRIGHT 1973 BY AMP INCORPORATED, HARRISBURG, PA.  
ALL INTERNATIONAL RIGHTS RESERVED. AMP INCORPORATED PRODUCTS  
COVERED BY U. S. AND FOREIGN PATENTS AND/OR PATENTS PENDING.

REVISIONS					
REV	ZONE	LTR	DESCRIPTION	DATE	APPROVED
		O	RELEASE		
		A	REVISED PER ECN 2161	5-24-78	DM
		B1	REV ECN 203	6-4-78	DM
		B2	REV ECN 1963	6-10-78	SB
		B	RE-RELEASE - 7	8-15-89	MDJ
		C	ADDED - 6 & - 8 PER 2745 & AR2373	4-18-89	MLC
		D	REV LOC & DIST AD-471	11-29-89	BF
		E	OBS - 8 PER 0010-0724-93	8-12-93	SAS
		F	REV PER 0010-1545-93	1-10-94	SAS
		G	REV PER 0010-1125-94	12-14-94	JH
		H	REV PER 0010-0847-96	6-3-96	CB/JH
		J	REV PER 063C-0062-00	11 FEB 08	MZ



- 1. .010 MAX CUT-OFF TAB FOR LOOSE PIECE.
- 2. GOLD FLASH OVER .000050 NICKEL ENTIRE CONTACT; .000015 GOLD ON CONTACT AREA
- 3. GOLD FLASH OVER .000050 NICKEL ENTIRE CONTACT .000030 GOLD ON CONTACT AREA.
- 4. .000016 MIN TIN.
- 5. LUBRICATED
- 6. .000015 GOLD ON CONTACT AREA, .000050-.000100 BRIGHT TIN-LEAD ON TERMINATION AREA, ALL OVER .000050 NICKEL ENTIRE TERMINAL.
- 7. .000030 GOLD ON CONTACT AREA, .000050-.000100 BRIGHT TIN-LEAD ON TERMINATION AREA, ALL OVER .000050 NICKEL ENTIRE TERMINAL.
- 8. POINT OF MEASUREMENT FOR PLATING THICKNESS.
- 9. OBSOLETE PART NUMBER
- 10. .000030 GOLD OVER NICKEL ON ENTIRE CONTACT.
- 11. SUPERSEDED BY 102099-2

10	102103-6A	102099-8
7	102103-5	102099-7
6	102103-4	102099-6
4	102103-3	102099-5
3	102103-2	102099-2
2	102103-1	102099-1
FINISH	LOOSE PIECE P/N	PART NO

UNLESS OTHERWISE SPECIFIED DIMENSIONS ARE IN INCHES. TOLERANCES ON: DECIMALS ±.005 ANGLES ±	CONTRACT NO	AMP INCORPORATED Harrisburg, Pa.	
	DR <i>Tom Radwin</i> 4-12-78	NAME CONTACT, MOD I, RECEPTACLE, CRIMP SNAP-IN, STD. PRESSURE, # 18 - # 22 AWG, SIDE FEED	
	CHK <i>B. H. H. H.</i> 4-27-78	MATERIAL PHOS. BRONZE	
	APPD <i>A. J. J.</i> 4/28/78	FINISH SEE TABLE	
	APPD <i>B. Bennett</i> 5/1/75	DSGN APPD	OTHER APPD
		SIZE C	CODE IDENT NO 00779
		DRAWING NO 102099	
		SCALE	SHEET

## X-ON Electronics

Largest Supplier of Electrical and Electronic Components

*Click to view similar products for [Headers & Wire Housings](#) category:*

*Click to view products by [TE Connectivity](#) manufacturer:*

Other Similar products are found below :

[892-18-020-10-001101](#) [58102-G61-06LF](#) [582553-1](#) [0009485154](#) [009176003701906](#) [0050291907](#) [LY20-4P-DT1-P1E-BR](#) [02.125.8002.8](#)  
[609-3404](#) [61062-3](#) [61082-181009](#) [622-3653LF](#) [63453-116](#) [636-1030](#) [636-1427](#) [636-3427](#) [636-4007](#) [641938-9](#) [641991-4](#) [644827-2](#) [65817-](#)  
[010LF](#) [65817-015LF](#) [65863-015LF](#) [66207-023LF](#) [67095-007LF](#) [67601157](#) [68645-018](#) [68648-049](#) [70.362.1628.0](#) [70-4210](#) [70-4226B](#) [70-](#)  
[4853B](#) [707-5020](#) [707-5028](#) [71.350.2428.0](#) [71918-208LF](#) [71961-016LF](#) [733-134](#) [733-162](#) [754199-000](#) [760-3052](#) [787-8014-00](#) [79531-3000](#)  
[FCN-360C032-B](#) [FCN-367T-T012/H](#) [FCN-723D010/2](#) [80.063.4001.1](#) [800-90-001-10-001000](#) [800-90-010-10-002000](#) [801-43-002-10-013000](#)