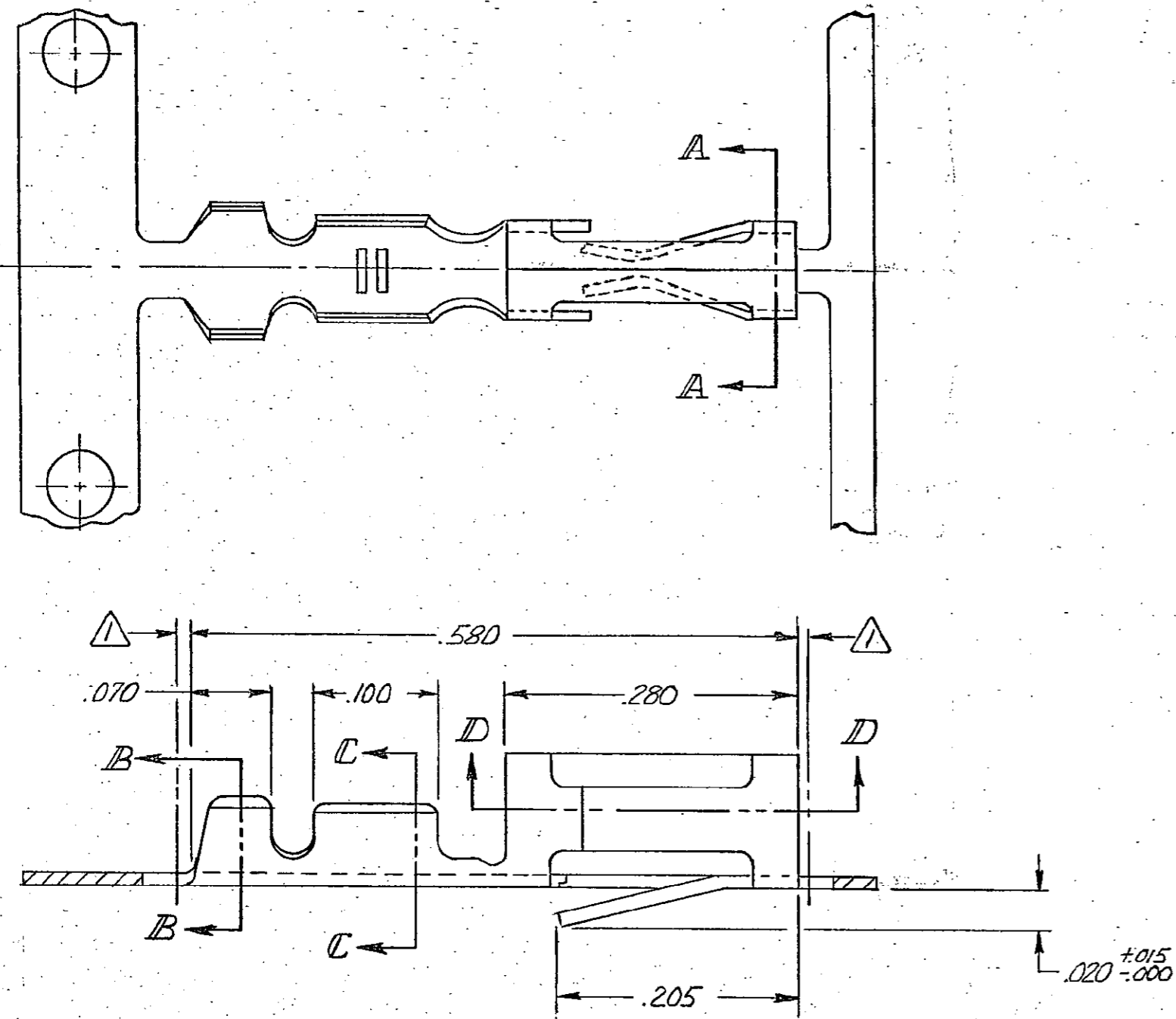
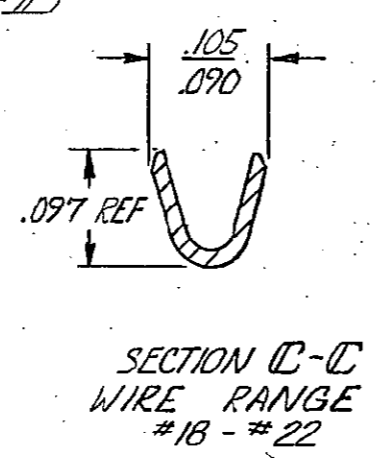
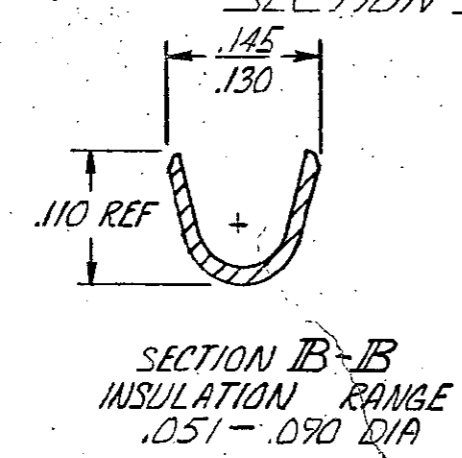
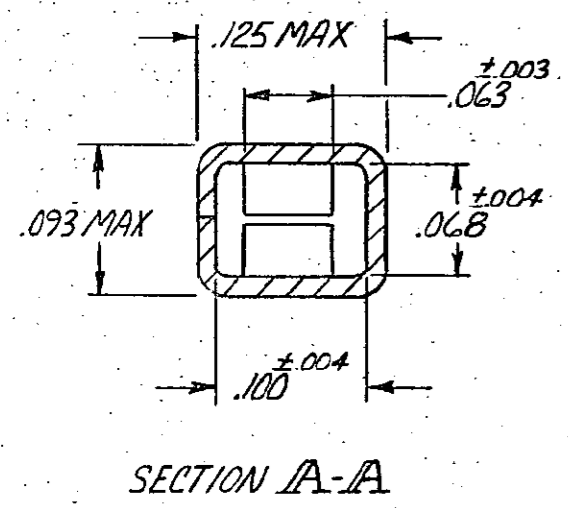
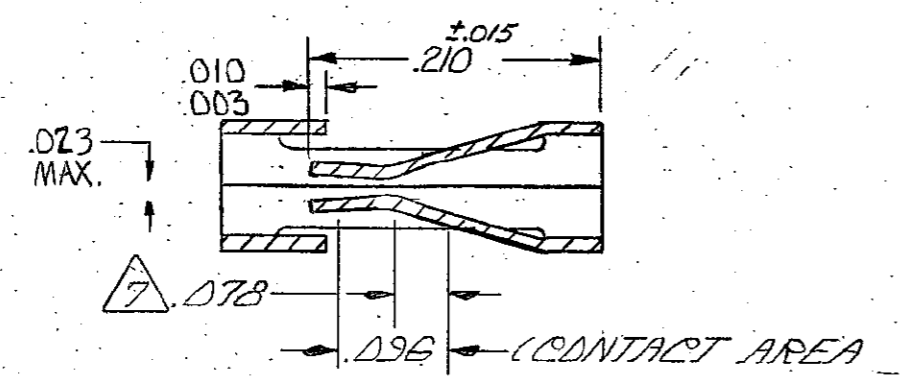
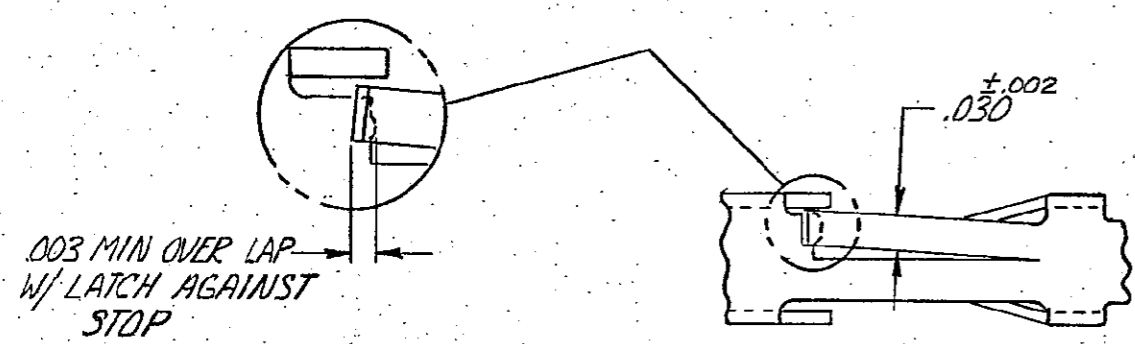


© COPYRIGHT

REVISIONS						
P	F	ZONE	LTR	DESCRIPTION	DATE	APPROVED
			K1	REVISED PER ECO-11-005294	06APR11	HMR



- ① .010 MAX CUT-OFF TAB FOR LOOSE PIECE.
- ② GOLD FLASH OVER .000050 NICKEL ENTIRE CONTACT, .000015 GOLD ON CONTACT AREA
- ③ GOLD FLASH OVER .000050 NICKEL ENTIRE CONTACT .000030 GOLD ON CONTACT AREA.
- ④ .000016 MIN TIN.
- ⑤ LUBRICATED
- ⑥ .000100-.000200 BRIGHT TIN OVER .000030 NICKEL.
- ⑦ POINT OF MEASUREMENT FOR PLATING THICKNESS.
- ⑧ .000015 GOLD ON CONTACT AREA, .000050-.000100 BRIGHT TIN-LEAD ON TERMINATION AREA, ALL OVER .000050 NICKEL ENTIRE TERMINAL.
- ⑨ .000030 GOLD ON CONTACT AREA, .000050-.000100 BRIGHT TIN-LEAD ON TERMINATION AREA, ALL OVER .000050 NICKEL ENTIRE TERMINAL.
- ⑩ OBSOLETE PART NUMBER.



⑨	⑩	102104-6	102100-9/10		
⑧	⑩	102104-5	102100-8/10		
⑥	⑤	⑩	102104-4	⑩	102100-6
④	⑤	102104-3	102100-5		
③	102104-2	102100-2			
②	102104-1	102100-1			
FINISH	LOOSE PIECE P/N	PART NO			

UNLESS OTHERWISE SPECIFIED DIMENSIONS ARE IN INCHES. TOLERANCES ON: DECIMALS $\pm .005$ ANGLES \pm	CONTRACT NO	TE Connectivity NAME CONTACT, MOD I, RECEPTACLE, CRIMP SNAP-IN, HIGH PRESSURE, #18 - #22AWG, SIDE FEED	
	DR R. Bedwin 4/12/78		
	CHK B. White 4-27-78		
	APPD D. Zimmerman 4/28/78		
MATERIAL PHOS. BRONZE	APPD R. Smith 5/1/78	DSGN APPD	OTHER APPD
FINISH SEE TABLE	SIZE C	CODE IDENT NO 00779	DRAWING NO 102100
	SCALE	SHEET	

CUSTOMER DRAWING

X-ON Electronics

Largest Supplier of Electrical and Electronic Components

Click to view similar products for [Headers & Wire Housings](#) category:

Click to view products by [TE Connectivity](#) manufacturer:

Other Similar products are found below :

[892-18-020-10-001101](#) [58102-G61-06LF](#) [582553-1](#) [0009485154](#) [009176003701906](#) [0050291907](#) [LY20-4P-DT1-P1E-BR](#) [02.125.8002.8](#)
[609-3404](#) [61062-3](#) [61082-181009](#) [622-3653LF](#) [63453-116](#) [636-1030](#) [636-1427](#) [636-3427](#) [636-4007](#) [641938-9](#) [641991-4](#) [644827-2](#) [65817-](#)
[010LF](#) [65817-015LF](#) [65863-015LF](#) [66207-023LF](#) [67095-007LF](#) [67601157](#) [68645-018](#) [68648-049](#) [70.362.1628.0](#) [70-4210](#) [70-4226B](#) [70-](#)
[4853B](#) [707-5020](#) [707-5028](#) [71.350.2428.0](#) [71918-208LF](#) [71961-016LF](#) [733-134](#) [733-162](#) [754199-000](#) [760-3052](#) [787-8014-00](#) [79531-3000](#)
[FCN-360C032-B](#) [FCN-367T-T012/H](#) [FCN-723D010/2](#) [80.063.4001.1](#) [800-90-001-10-001000](#) [800-90-010-10-002000](#) [801-43-002-10-013000](#)