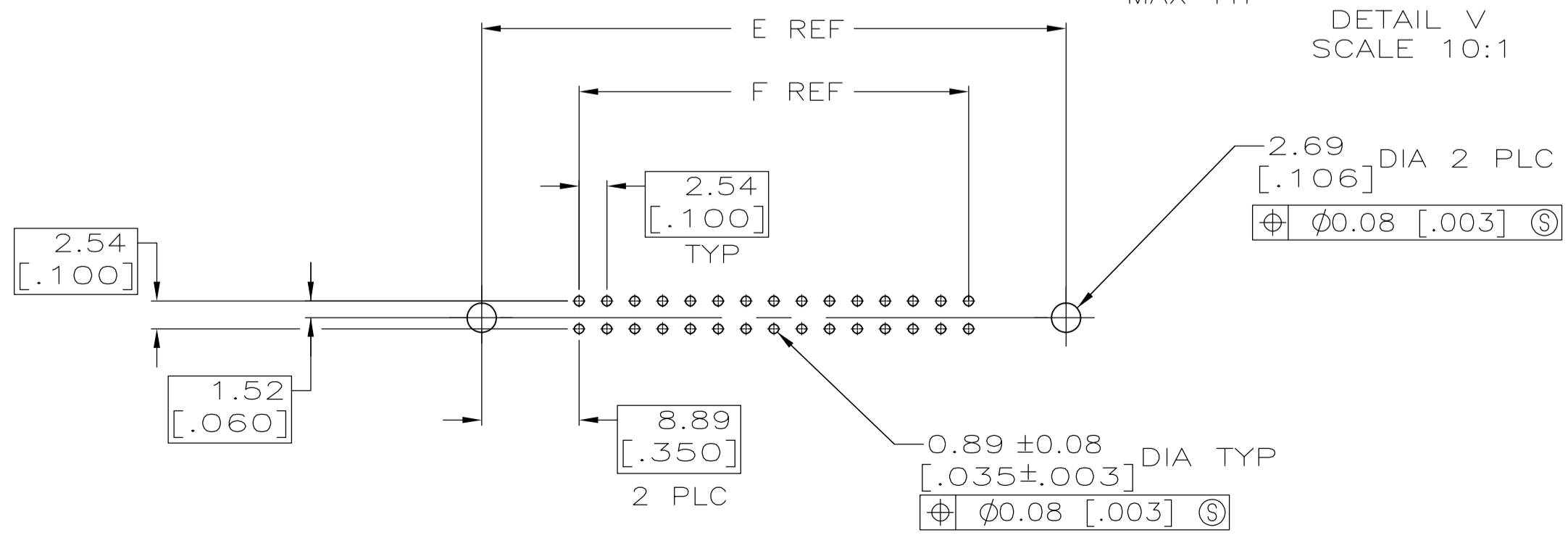
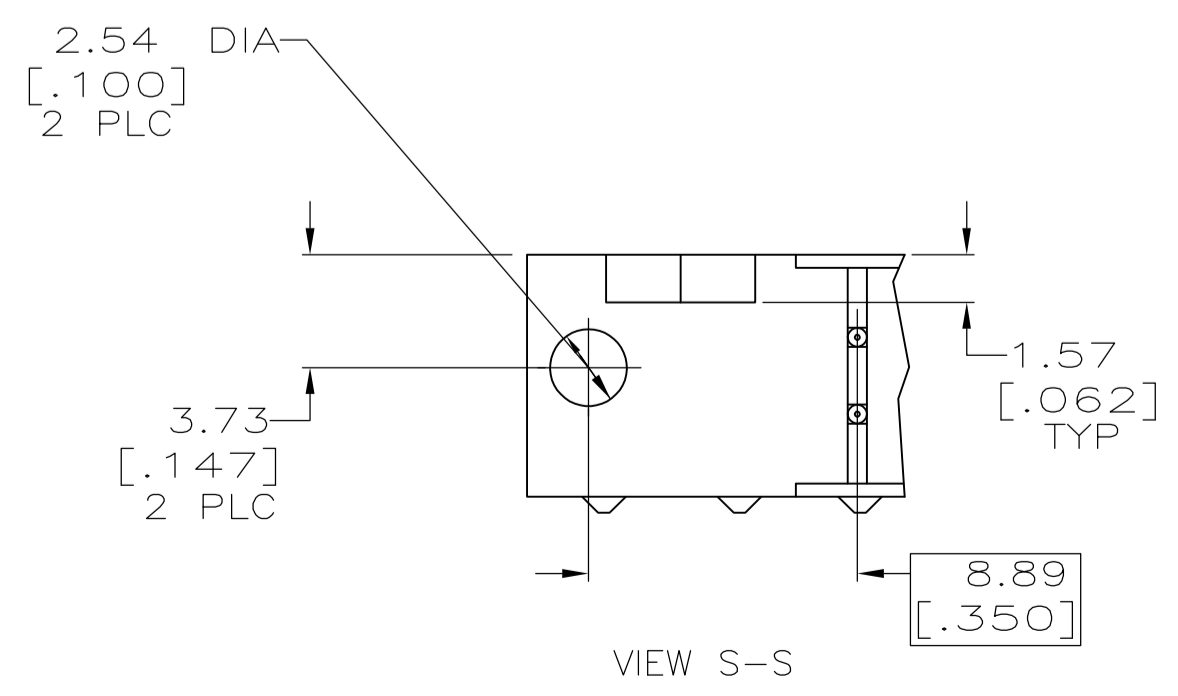
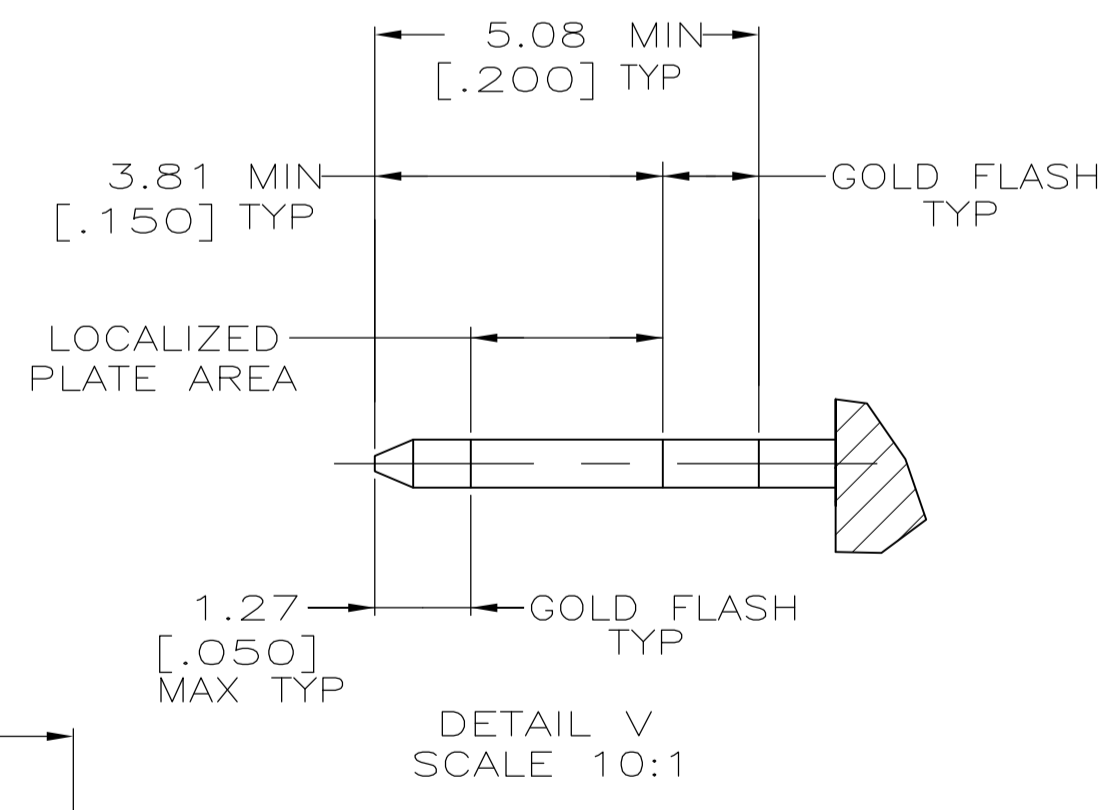
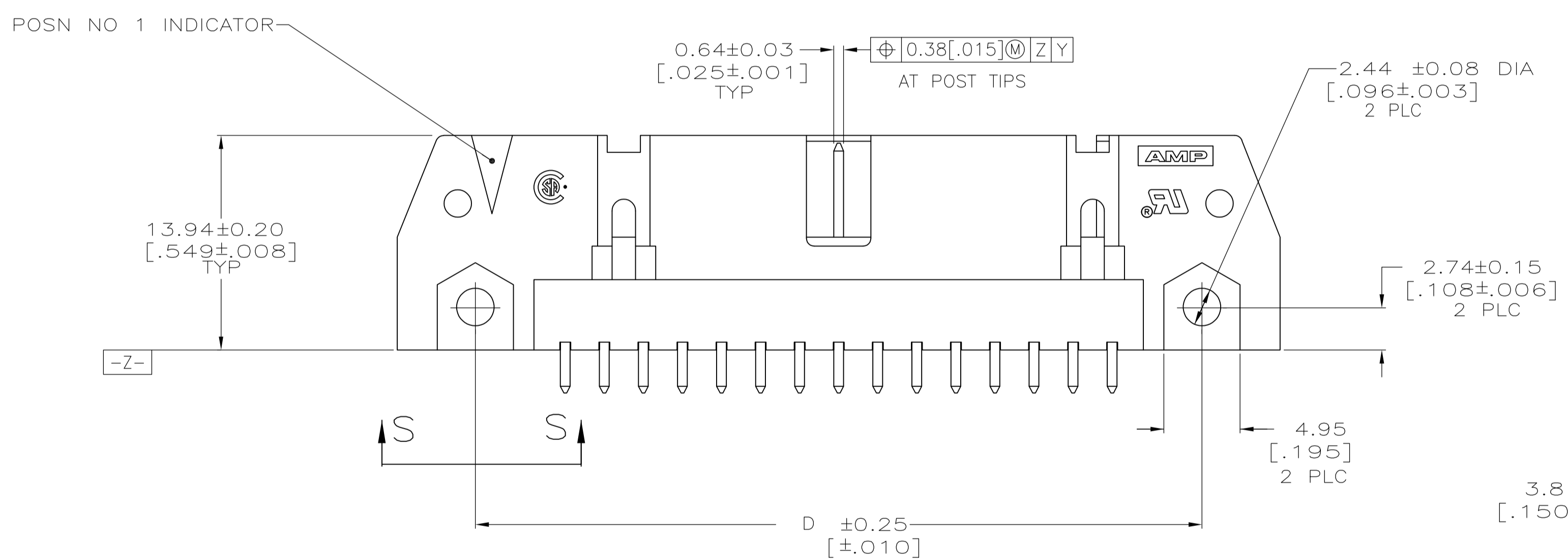


- △1 COORDINATE DIMENSION APPLIES FROM BASIC LOCATION.
- △2 10 AND 14 POSITION SIZES CONTAIN ONLY ONE SLOT FOR SNAP-IN POLARIZER (MILITARY POLARIZATION) LOCATED AS SHOWN.
- △3 10 POSITION SIZES CONTAIN ONLY ONE SLOT FOR DUAL POLARIZATION, LOCATED AS SHOWN.
- 4. RECOMMENDED PRINTED CIRCUIT BOARD THICKNESS IS 1.57 [.062].
- △5 POSTS:
GOLD FLASH OVER PALLADIUM-NICKEL PLATE, 0.38µm [.000015] MIN TOTAL ON THE LOCALIZED PLATE AREA,
2.54µm [.000100] MIN TIN-LEAD PLATE ON THE SOLDER-TAIL,
1.27µm [.000050] MIN NICKEL UNDERPLATE ON THE ENTIRE POST.
OR
0.38µm [.000015] MIN GOLD PLATE ON THE LOCALIZED PLATE AREA,
2.54µm [.000100] MIN TIN-LEAD PLATE ON THE SOLDER-TAIL,
1.27µm [.000050] MIN NICKEL UNDERPLATE ON THE ENTIRE POST.
- △6 MATERIAL:
HOUSING: GLASS FILLED POLYESTER, 94V-0 RATED, BLACK.
POSTS: PHOSPHOR BRONZE OR BRASS.



| | | | | | | | |
|---------|---------|---------|---------|---------|---------|------------|-------------|
| 53.34 | 71.12 | 65.02 | 75.18 | 71.12 | 60.96 | 44 | 1-102153-3 |
| [2.100] | [2.800] | [2.560] | [2.960] | [2.800] | [2.400] | | |
| 78.74 | 96.52 | 90.42 | 100.58 | 96.52 | 86.36 | 64 | 1-102153-2 |
| [3.100] | [3.800] | [3.560] | [3.960] | [3.800] | [3.400] | | |
| 73.66 | 91.44 | 85.34 | 95.50 | 91.44 | 81.28 | 60 | 1-102153-1 |
| [2.900] | [3.600] | [3.360] | [3.760] | [3.600] | [3.200] | | |
| 60.96 | 78.74 | 72.64 | 82.80 | 78.74 | 68.58 | 50 | 1-102153-0 |
| [2.400] | [3.100] | [2.860] | [3.260] | [3.100] | [2.700] | | |
| 48.26 | 66.04 | 59.94 | 70.10 | 66.04 | 55.88 | 40 | 102153-9 |
| [1.900] | [2.600] | [2.360] | [2.760] | [2.600] | [2.200] | | |
| 40.64 | 58.42 | 52.32 | 62.48 | 58.42 | 48.26 | 34 | 102153-8 |
| [1.600] | [2.300] | [2.060] | [2.460] | [2.300] | [1.900] | | |
| 35.56 | 53.34 | 47.24 | 57.40 | 53.34 | 43.18 | 30 | 102153-7 |
| [1.400] | [2.100] | [1.860] | [2.260] | [2.100] | [1.700] | | |
| 30.48 | 48.26 | 42.16 | 52.32 | 48.26 | 38.10 | 26 | 102153-6 |
| [1.200] | [1.900] | [1.660] | [2.060] | [1.900] | [1.500] | | |
| 27.94 | 45.72 | 39.62 | 49.78 | 45.72 | 35.56 | 24 | 102153-5 |
| [1.100] | [1.800] | [1.560] | [1.960] | [1.800] | [1.400] | | |
| 22.86 | 40.64 | 34.54 | 44.70 | 40.64 | 30.48 | 20 | 102153-4 |
| [.900] | [1.600] | [1.360] | [1.760] | [1.600] | [1.200] | | |
| 17.78 | 35.56 | 29.46 | 39.62 | 35.56 | 25.40 | 16 | 102153-3 |
| [.700] | [1.400] | [1.160] | [1.560] | [1.400] | [1.000] | | |
| 15.24 | 33.02 | 26.92 | 37.08 | 33.02 | 22.86 | 14 | 102153-2 |
| [.600] | [1.300] | [1.060] | [1.460] | [1.300] | [.900] | | |
| 10.16 | 27.94 | 21.84 | 32.00 | 27.94 | 17.78 | 10 | 102153-1 |
| [.400] | [1.100] | [.860] | [1.260] | [1.100] | [.700] | | |
| F | E | D | C | B | A | NO OF POSN | PART NUMBER |

THIS DRAWING IS A CONTROLLED DOCUMENT. DIN 4-23-90 H. MOLL

| | | | |
|-------------------------|--|------------------------------|-----------------------------------|
| DIMENSIONS: mm [INCHES] | TOLERANCES UNLESS OTHERWISE SPECIFIED: | APVD | NAME |
| 0 PLC ± - | 1 PLC ± - | | HEADER ASSY, UNIVERSAL, AMP-LATCH |
| 2 PLC ± - | 3 PLC ± 0.13[.005] | | 108-40018 |
| 4 PLC ± - | ANGLES ± - | | APPLICATION SPEC |
| MATERIAL | FINISH | WEIGHT | SIZE CASE CODE DRAWING NO |
| | | | A1 00779 102153 |
| | | CUSTOMER DRAWING | RESTRICTED TO |
| | | SCALE 4:1 SHEET 1 OF 1 REV 1 | |

X-ON Electronics

Largest Supplier of Electrical and Electronic Components

Click to view similar products for [Headers & Wire Housings](#) category:

Click to view products by [TE Connectivity](#) manufacturer:

Other Similar products are found below :

[892-18-020-10-001101](#) [58102-G61-06LF](#) [582553-1](#) [0009485154](#) [009176003701906](#) [0050291907](#) [LY20-4P-DT1-P1E-BR](#) [02.125.8002.8](#)
[609-3404](#) [61062-3](#) [61082-181009](#) [622-3653LF](#) [63453-116](#) [636-1030](#) [636-1427](#) [636-3427](#) [636-4007](#) [641938-9](#) [641991-4](#) [644827-2](#) [65817-](#)
[010LF](#) [65817-015LF](#) [65863-015LF](#) [66207-023LF](#) [67095-007LF](#) [67601157](#) [68645-018](#) [68648-049](#) [70.362.1628.0](#) [70-4210](#) [70-4226B](#) [70-](#)
[4853B](#) [707-5020](#) [707-5028](#) [71.350.2428.0](#) [71918-208LF](#) [71961-016LF](#) [733-134](#) [733-162](#) [754199-000](#) [760-3052](#) [787-8014-00](#) [79531-3000](#)
[FCN-360C032-B](#) [FCN-367T-T012/H](#) [FCN-723D010/2](#) [80.063.4001.1](#) [800-90-001-10-001000](#) [800-90-010-10-002000](#) [801-43-002-10-013000](#)