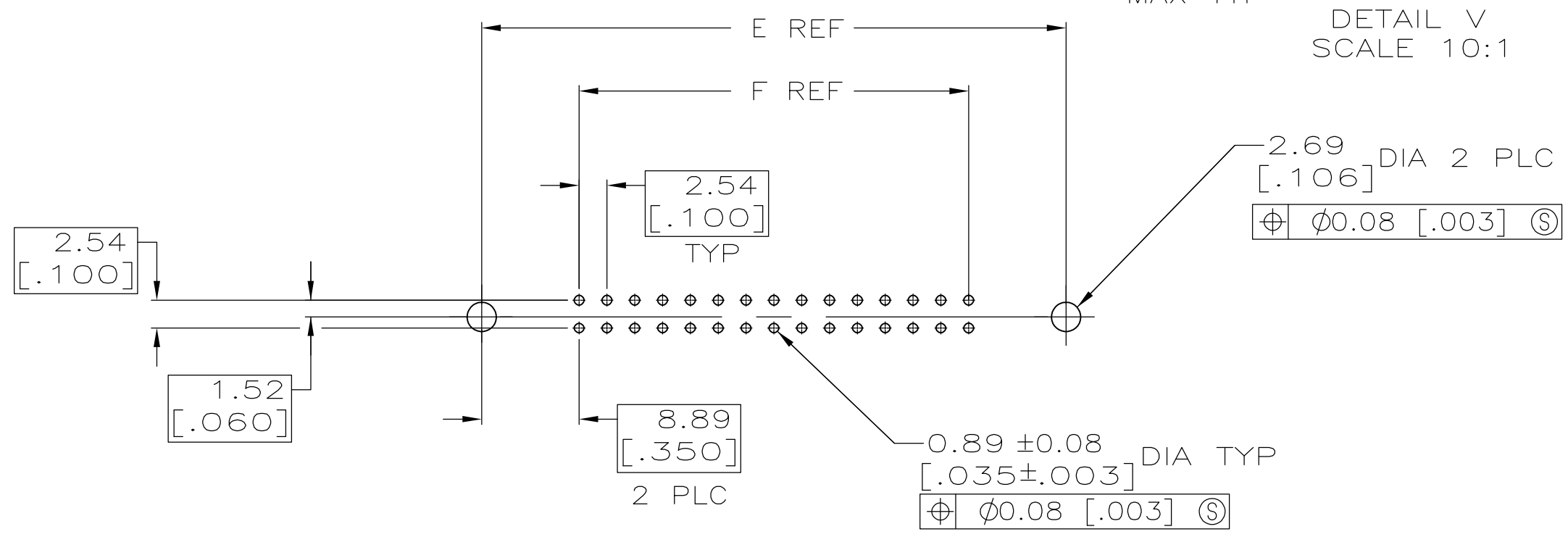
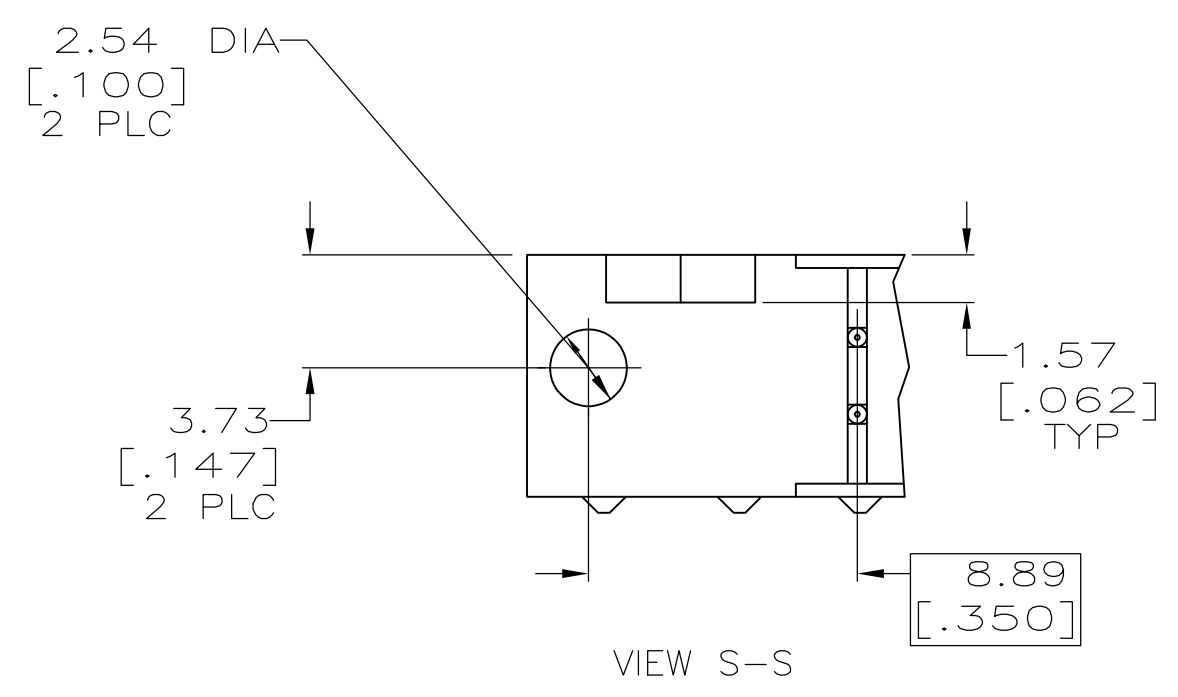
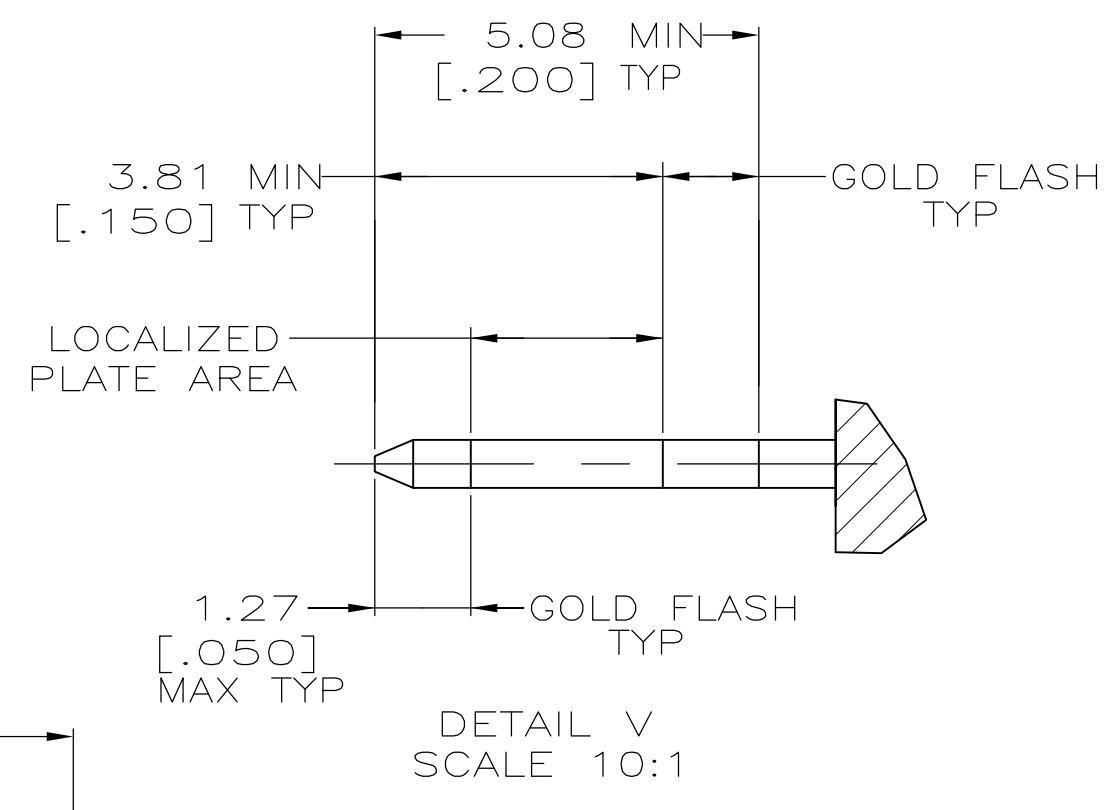
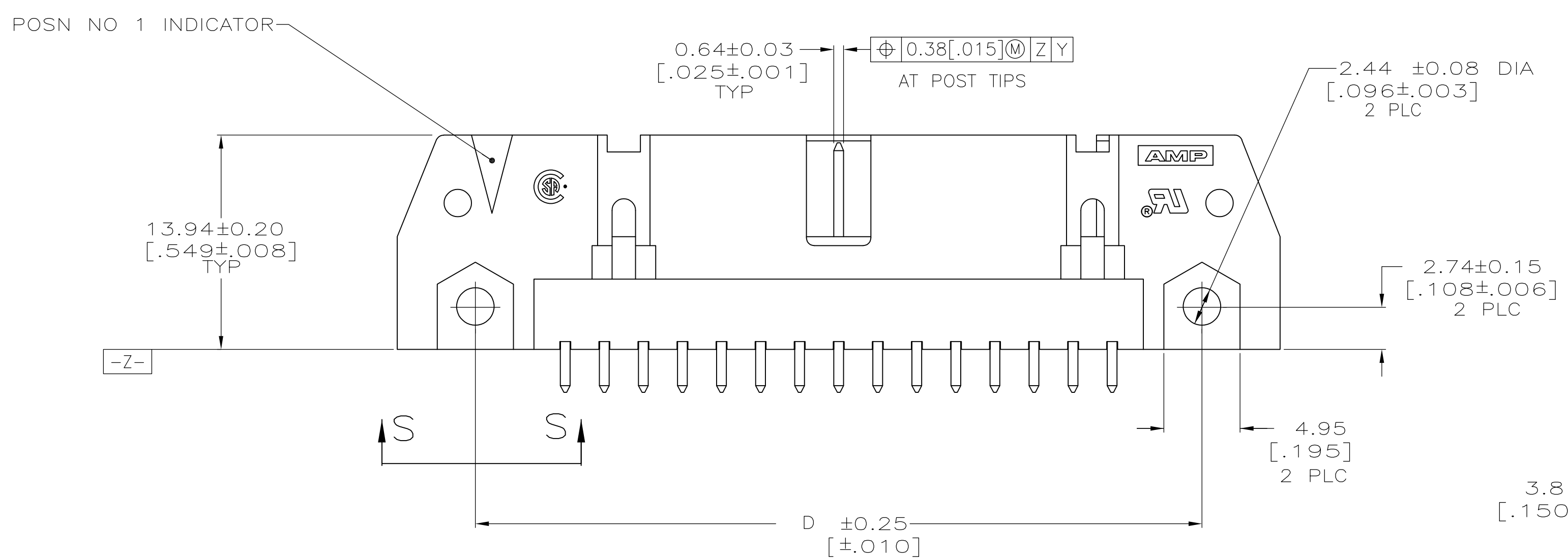


- △1 COORDINATE DIMENSION APPLIES FROM BASIC LOCATION.
- △2 10 AND 14 POSITION SIZES CONTAIN ONLY ONE SLOT FOR SNAP-IN POLARIZER (MILITARY POLARIZATION) LOCATED AS SHOWN.
- △3 10 POSITION SIZES CONTAIN ONLY ONE SLOT FOR DUAL POLARIZATION, LOCATED AS SHOWN.
- 4. RECOMMENDED PRINTED CIRCUIT BOARD THICKNESS IS 1.57 [.062].
- △5 POSTS:  
GOLD FLASH OVER PALLADIUM-NICKEL PLATE, 0.38µm [.000015] MIN TOTAL ON THE LOCALIZED PLATE AREA,  
2.54µm [.000100] MIN TIN-LEAD PLATE ON THE SOLDER-TAIL,  
1.27µm [.000050] MIN NICKEL UNDERPLATE ON THE ENTIRE POST.  
OR  
0.38µm [.000015] MIN GOLD PLATE ON THE LOCALIZED PLATE AREA,  
2.54µm [.000100] MIN TIN-LEAD PLATE ON THE SOLDER-TAIL,  
1.27µm [.000050] MIN NICKEL UNDERPLATE ON THE ENTIRE POST.
- △6 MATERIAL:  
HOUSING: GLASS FILLED POLYESTER, 94V-0 RATED, BLACK.  
POSTS: PHOSPHOR BRONZE OR BRASS.



|         |         |         |         |         |         |            |             |
|---------|---------|---------|---------|---------|---------|------------|-------------|
| 53.34   | 71.12   | 65.02   | 75.18   | 71.12   | 60.96   | 44         | 1-102153-3  |
| [2.100] | [2.800] | [2.560] | [2.960] | [2.800] | [2.400] |            |             |
| 78.74   | 96.52   | 90.42   | 100.58  | 96.52   | 86.36   | 64         | 1-102153-2  |
| [3.100] | [3.800] | [3.560] | [3.960] | [3.800] | [3.400] |            |             |
| 73.66   | 91.44   | 85.34   | 95.50   | 91.44   | 81.28   | 60         | 1-102153-1  |
| [2.900] | [3.600] | [3.360] | [3.760] | [3.600] | [3.200] |            |             |
| 60.96   | 78.74   | 72.64   | 82.80   | 78.74   | 68.58   | 50         | 1-102153-0  |
| [2.400] | [3.100] | [2.860] | [3.260] | [3.100] | [2.700] |            |             |
| 48.26   | 66.04   | 59.94   | 70.10   | 66.04   | 55.88   | 40         | 102153-9    |
| [1.900] | [2.600] | [2.360] | [2.760] | [2.600] | [2.200] |            |             |
| 40.64   | 58.42   | 52.32   | 62.48   | 58.42   | 48.26   | 34         | 102153-8    |
| [1.600] | [2.300] | [2.060] | [2.460] | [2.300] | [1.900] |            |             |
| 35.56   | 53.34   | 47.24   | 57.40   | 53.34   | 43.18   | 30         | 102153-7    |
| [1.400] | [2.100] | [1.860] | [2.260] | [2.100] | [1.700] |            |             |
| 30.48   | 48.26   | 42.16   | 52.32   | 48.26   | 38.10   | 26         | 102153-6    |
| [1.200] | [1.900] | [1.660] | [2.060] | [1.900] | [1.500] |            |             |
| 27.94   | 45.72   | 39.62   | 49.78   | 45.72   | 35.56   | 24         | 102153-5    |
| [1.100] | [1.800] | [1.560] | [1.960] | [1.800] | [1.400] |            |             |
| 22.86   | 40.64   | 34.54   | 44.70   | 40.64   | 30.48   | 20         | 102153-4    |
| [.900]  | [1.600] | [1.360] | [1.760] | [1.600] | [1.200] |            |             |
| 17.78   | 35.56   | 29.46   | 39.62   | 35.56   | 25.40   | 16         | 102153-3    |
| [.700]  | [1.400] | [1.160] | [1.560] | [1.400] | [1.000] |            |             |
| 15.24   | 33.02   | 26.92   | 37.08   | 33.02   | 22.86   | 14         | 102153-2    |
| [.600]  | [1.300] | [1.060] | [1.460] | [1.300] | [.900]  |            |             |
| 10.16   | 27.94   | 21.84   | 32.00   | 27.94   | 17.78   | 10         | 102153-1    |
| [.400]  | [1.100] | [.860]  | [1.260] | [1.100] | [.700]  |            |             |
| F       | E       | D       | C       | B       | A       | NO OF POSN | PART NUMBER |

THIS DRAWING IS A CONTROLLED DOCUMENT. DIN H. MOLL 4-23-90

STE TE Connectivity

PRODUCT SPEC: 108-40018

APPLICATION SPEC: 108-40018

SIZE: A1

WEIGHT: 00779

CUSTOMER DRAWING

SCALE: 4:1

SHEET: 1 of 1

REV: 1

## X-ON Electronics

Largest Supplier of Electrical and Electronic Components

*Click to view similar products for [Headers & Wire Housings](#) category:*

*Click to view products by [TE Connectivity](#) manufacturer:*

Other Similar products are found below :

[892-18-020-10-001101](#) [58102-G61-06LF](#) [582553-1](#) [0009485154](#) [009176003701906](#) [0050291907](#) [LY20-4P-DT1-P1E-BR](#) [02.125.8002.8](#)  
[609-3404](#) [61062-3](#) [61082-181009](#) [622-3653LF](#) [63453-116](#) [636-1030](#) [636-1427](#) [636-3427](#) [636-4007](#) [641938-9](#) [641991-4](#) [644827-2](#) [65817-](#)  
[010LF](#) [65817-015LF](#) [65863-015LF](#) [66207-023LF](#) [67095-007LF](#) [67601157](#) [68645-018](#) [68648-049](#) [70.362.1628.0](#) [70-4210](#) [70-4226B](#) [70-](#)  
[4853B](#) [707-5020](#) [707-5028](#) [71.350.2428.0](#) [71918-208LF](#) [71961-016LF](#) [733-134](#) [733-162](#) [754199-000](#) [760-3052](#) [787-8014-00](#) [79531-3000](#)  
[FCN-360C032-B](#) [FCN-367T-T012/H](#) [FCN-723D010/2](#) [80.063.4001.1](#) [800-90-001-10-001000](#) [800-90-010-10-002000](#) [801-43-002-10-013000](#)