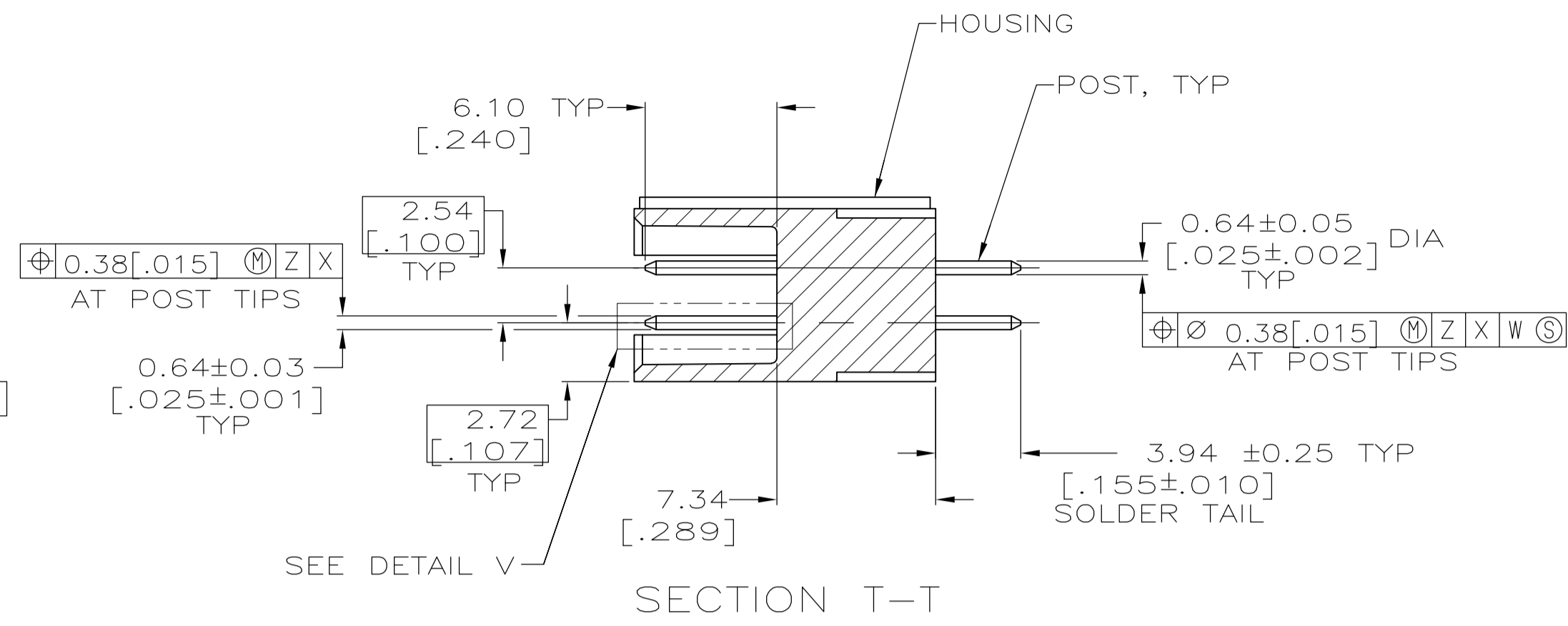
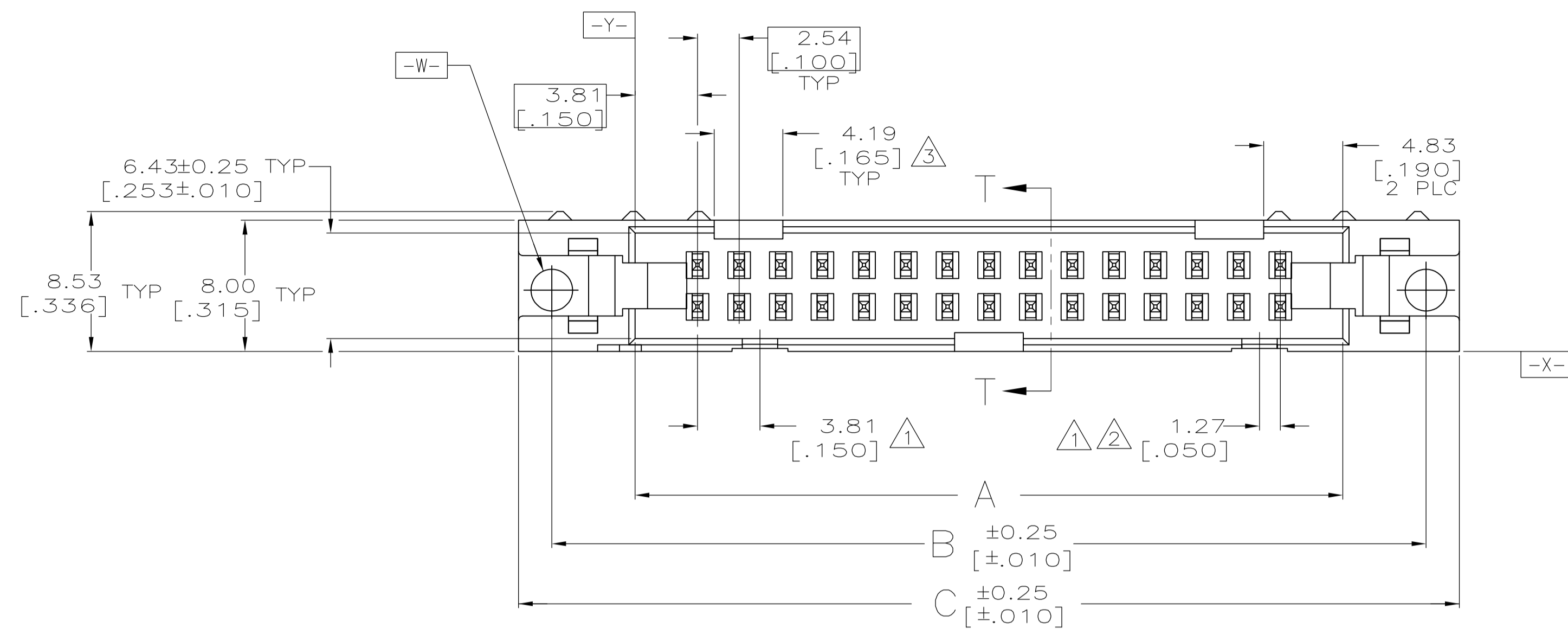
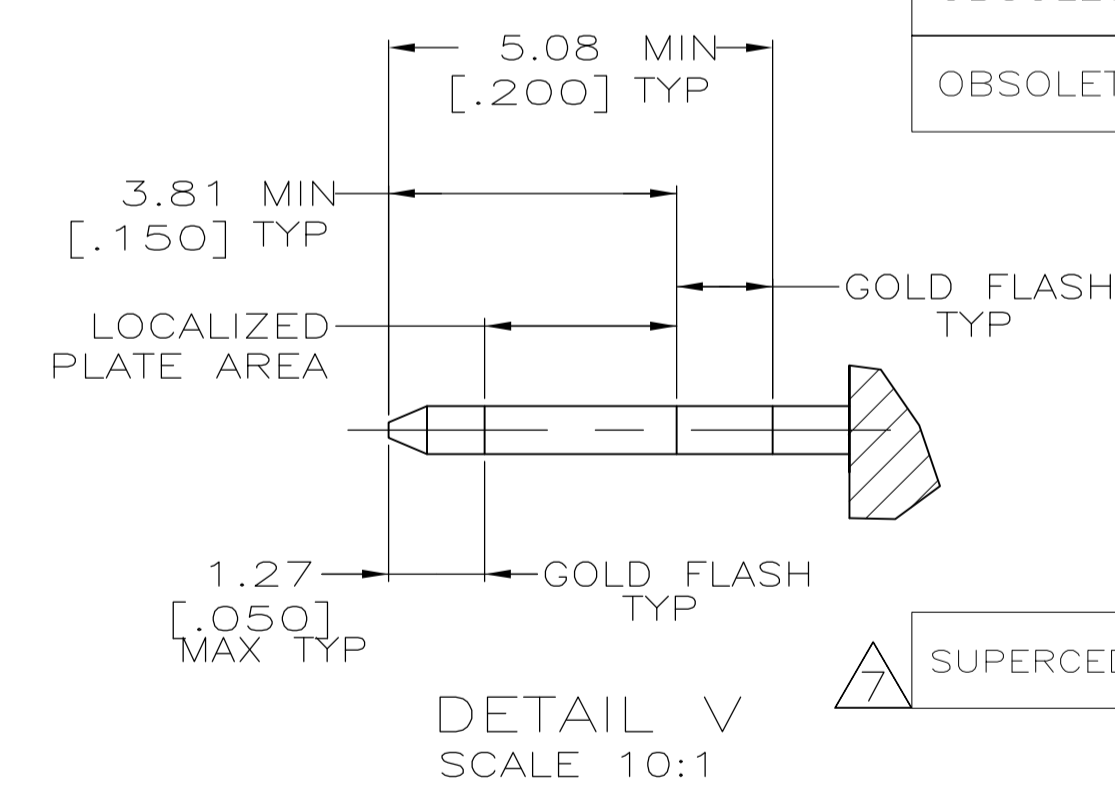
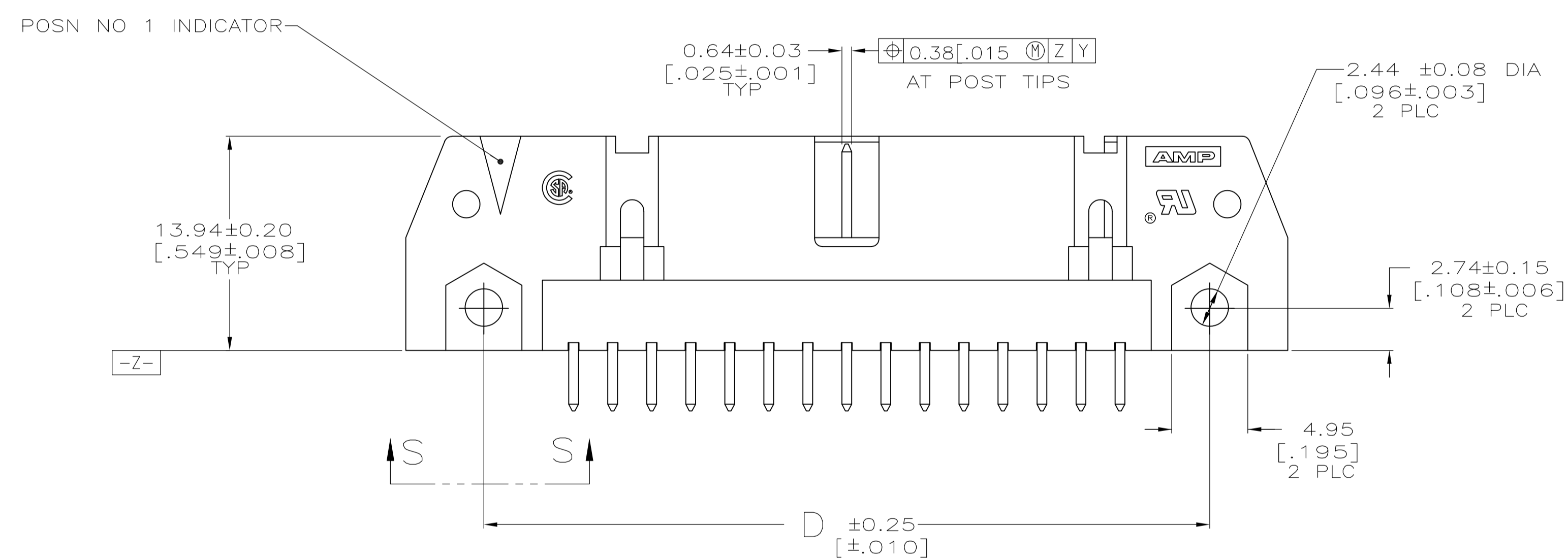


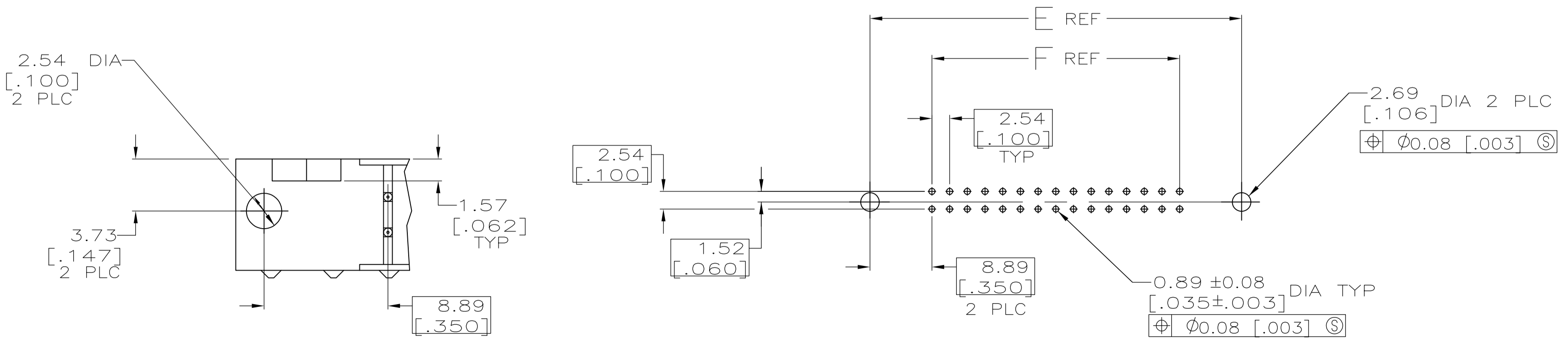
LOC		DIST		REVISIONS			
GP	00	REV	DATE	BY	CHK	APPV	
M		REVISED PER ECO-08-004045	26MAR08	JDP	SLB		
M1		REVISED PER ECO-09-020932	08SEP09	KK	AEG		



- △ COORDINATE DIMENSION APPLIES FROM BASIC LOCATION.
- △ 8, 10 AND 14 POSITION SIZES CONTAIN ONLY ONE SLOT FOR SNAP-IN POLARIZER (MILITARY POLARIZATION) LOCATED AS SHOWN.
- △ 8 AND 10 POSITION SIZES CONTAIN ONLY ONE SLOT FOR DUAL POLARIZATION, LOCATED AS SHOWN.
- 4. RECOMMENDED PRINTED CIRCUIT BOARD THICKNESS IS 3.18 [.125].
- △ MATERIAL:
HOUSING: GLASS FILLED NYLON OR POLYESTER, 94V-0 RATED; BLACK.
POSTS: PH. BRONZE OR BRASS.
- △ POSTS: GOLD FLASH OVER PALLADIUM-NICKEL PLATE, 0.76μm[.000030] MIN TOTAL ON THE LOCALIZED PLATE AREA, 2.54μm[.000100] MIN TIN-LEAD PLATE ON THE SOLDER-TAILS, 1.27μm[.000050] MIN NICKEL UNDERPLATE ON THE ENTIRE POST.
-OR-
0.76μm[.000030] MIN GOLD PLATE ON THE LOCALIZED PLATE AREA, 2.54μm[.000100] MIN TIN-LEAD PLATE ON THE SOLDER-TAILS, 1.27μm[.000050] MIN NICKEL UNDERPLATE ON THE ENTIRE POST.



OBSELETE	7.62	25.40	19.30	29.46	25.40	15.24	8	1-102156-4
OBSELETE	53.34	71.12	65.02	75.18	71.12	60.96	44	1-102156-3
	78.74	96.52	90.42	100.58	96.52	86.36	64	1-102156-2
	73.66	91.44	85.34	95.50	91.44	81.28	60	1-102156-1
	60.96	78.74	72.64	82.80	78.74	68.58	50	1-102156-0
	48.26	66.04	59.94	70.10	66.04	55.88	40	102156-9
	40.64	58.42	52.32	62.48	58.42	48.26	34	102156-8
△ SUPERCEDED	35.56	53.34	47.24	57.40	53.34	43.18	30	102156-7
	30.48	48.26	42.16	52.32	48.26	38.10	26	102156-6
	27.94	45.72	39.62	49.78	45.72	35.56	24	102156-5
	22.86	40.64	34.54	44.70	40.64	30.48	20	102156-4
	17.78	35.56	29.46	39.62	35.56	25.40	16	102156-3
	15.24	33.02	26.92	37.08	33.02	22.86	14	102156-2
	10.16	27.94	21.84	32.00	27.94	17.78	10	102156-1
	F	E	D	C	B	A	NO OF POSN	PART NUMBER



THIS DRAWING IS A CONTROLLED DOCUMENT. DIM H. MOLL 4-23-90
 DIM R. STONE 11-28-90
 Tyco Electronics Corporation
 Harrisburg, PA 17105-3608

PRODUCT SPEC: 108-40018
 APPLICATION SPEC: 108-40018

SIZE: A1
 WEIGHT: 00779
 SCALE: 4:1
 SHEET: 1 of 1
 REV: M1

X-ON Electronics

Largest Supplier of Electrical and Electronic Components

Click to view similar products for [Headers & Wire Housings](#) category:

Click to view products by [TE Connectivity](#) manufacturer:

Other Similar products are found below :

[95000-104TRLF](#) [10135584-644402LF](#) [DF62W-EP2022PCA](#) [95000-106TRLF](#) [DF62W-2022SCA](#) [DF62W-EP2022PC](#) [2203348](#) [DF62W-2022SC](#) [1084018](#) [1029039](#) [1084017](#) [802-10-012-10-002000](#) [1112640](#) [1112639](#) [000-34000](#) [0009482033](#) [0009507031](#) [57102-S06-03LF](#) [57202-S52-04LF](#) [PCN6-15S-2.5E](#) [0039019024](#) [58102-G61-06LF](#) [582553-1](#) [0009508121](#) [0050291907](#) [018731A](#) [LY20-4P-DT1-P1E-BR](#) [02.125.8002.8](#) [60101931](#) [60598-1 \(Cut Strip\)](#) [M1625-3R/100](#) [61062-3](#) [61082-181009](#) [636-1427](#) [638009-1](#) [641938-9](#) [641991-4](#) [644168-1](#) [647662-1](#) [65039-019ELF](#) [65817-002LF](#) [65817-015LF](#) [65863-015LF](#) [66207-023LF](#) [67016-026LF](#) [67046-001LF](#) [67095-007LF](#) [68002-116](#) [68016-236H](#) [68648-049](#)