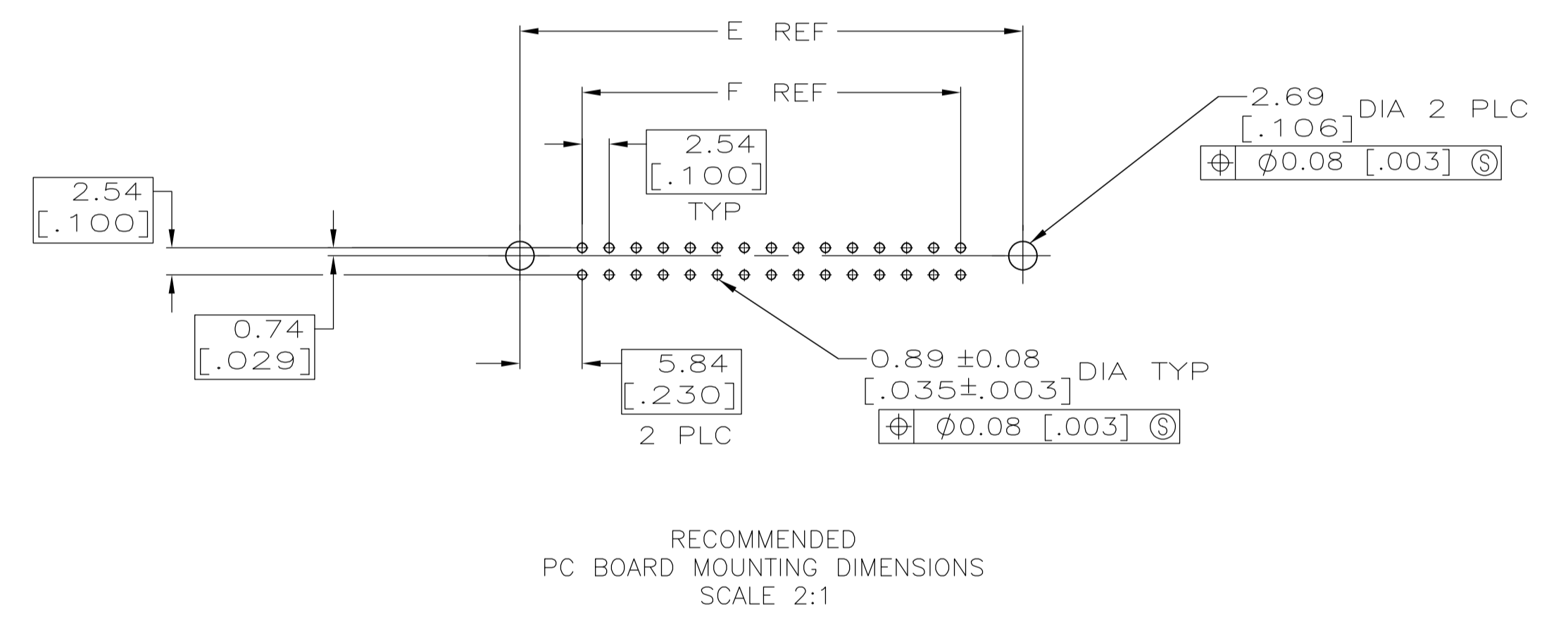
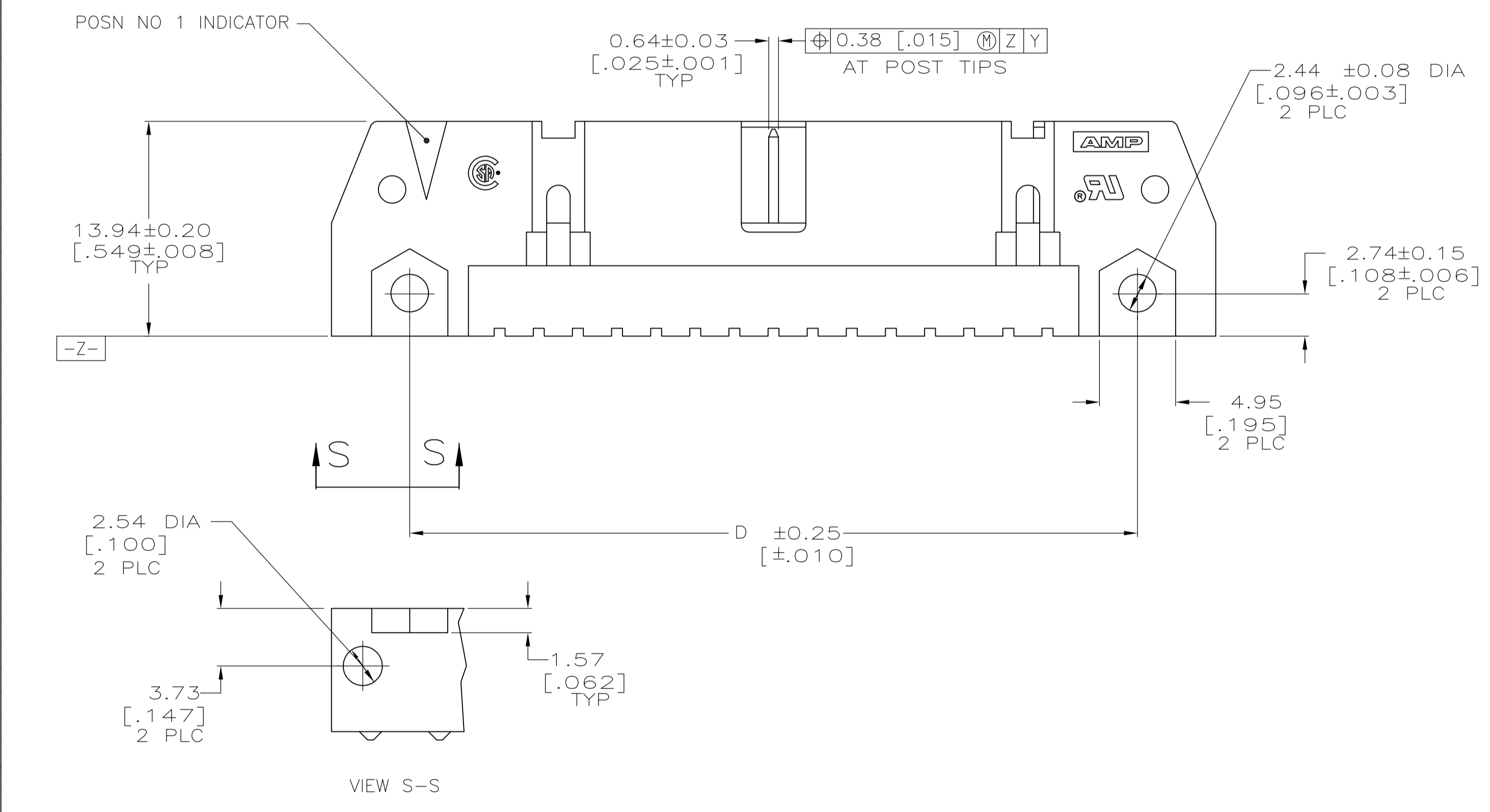
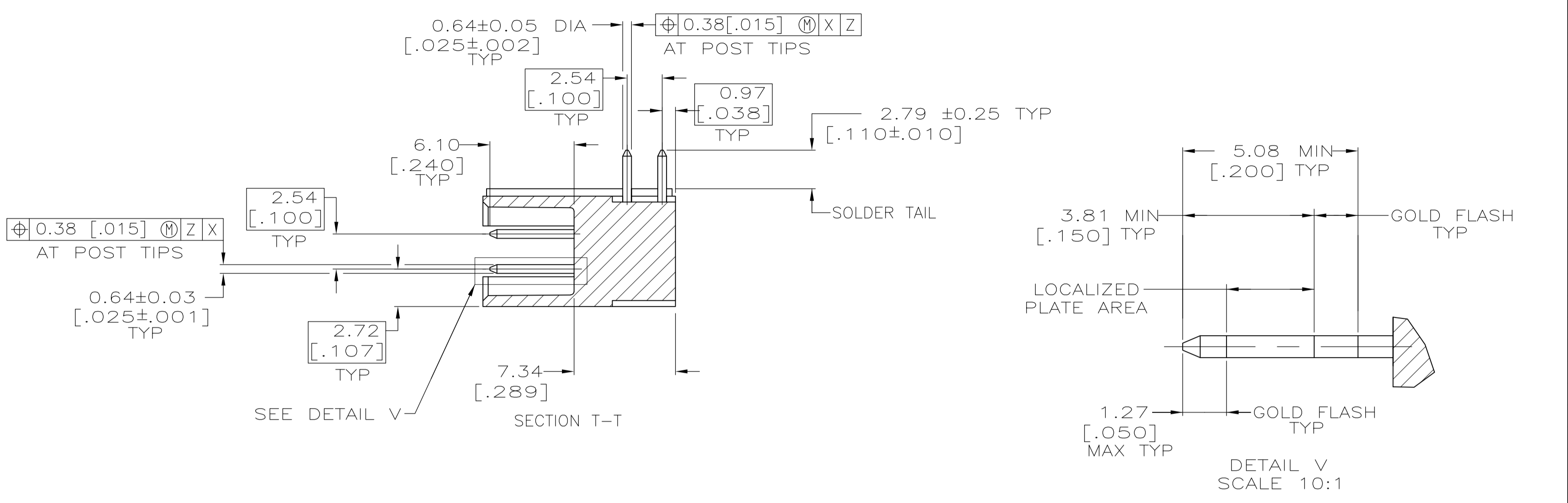
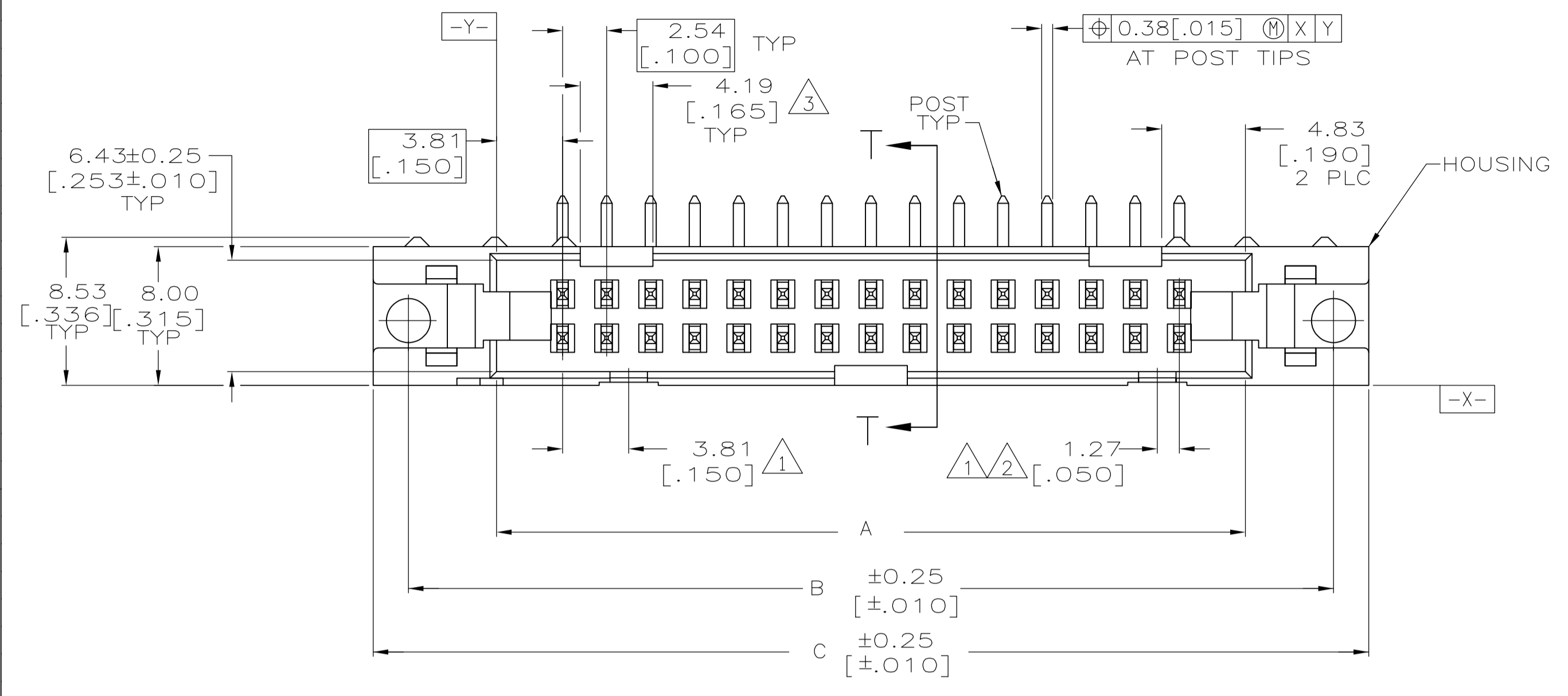


| LOC |    | DIST |     | REVISIONS                 |         |     |      |
|-----|----|------|-----|---------------------------|---------|-----|------|
| GP  | 00 | P    | LTR | DESCRIPTION               | DATE    | DWN | APVD |
| M1  |    |      |     | REVISED PER ECO-11-004835 | 11MAR11 | RK  | HMR  |



|  |                    |                      |                  |                                   |
|--|--------------------|----------------------|------------------|-----------------------------------|
| THIS DRAWING IS A CONTROLLED DOCUMENT. |                    | DIN H.MOLL 4-23-90   | TE Connectivity  |                                   |
| DIMENSIONS: mm [INCHES]                |                    | CHK R.STONE 11/28/90 |                  |                                   |
| TOLERANCES UNLESS OTHERWISE SPECIFIED: |                    | APVD                 | NAME             |                                   |
| 0 PLC ± -                              | 1 PLC ± -          | PRODUCT SPEC         |                  | HEADER ASSY, UNIVERSAL, AMP-LATCH |
| 2 PLC ± 0.13[005]                      | 3 PLC ± -          | APPLICATION SPEC     |                  |                                   |
| 4 PLC ± -                              | ANGLES ± -         | SIZE A1              | CAGE CODE 00779  | DRAWING NO 102159                 |
| MATERIAL SEE SHEET 2                   | FINISH SEE SHEET 2 | WEIGHT               | CUSTOMER DRAWING |                                   |
|  |                    | SCALE 4:1            | SHEET 1 OF 2     | REV M1                            |

- ① COORDINATE DIMENSION APPLIES FROM BASIC LOCATION.
- ② 10 AND 14 POSITION SIZES CONTAIN ONLY ONE SLOT FOR SNAP-IN POLARIZER (MILITARY POLARIZATION) LOCATED AS SHOWN.
- ③ 10 POSITION SIZES CONTAIN ONLY ONE SLOT FOR DUAL POLARIZATION, LOCATED AS SHOWN.
- 4. RECOMMENDED PRINTED CIRCUIT BOARD THICKNESS IS 1.57 [.062].
- ⑤ POSTS:  
 GOLD FLASH OVER PALLADIUM-NICKEL PLATE, 0.38 $\mu$ m [.000015] MIN TOTAL ON THE LOCALIZED PLATE AREA,  
 2.54 $\mu$ m [.000100] MIN TIN-LEAD PLATE ON THE SOLDER-TAIL,  
 1.27 $\mu$ m [.000050] MIN NICKEL UNDERPLATE ON THE ENTIRE POST.  
 OR  
 0.38 $\mu$ m [.000015] MIN GOLD PLATE ON THE LOCALIZED PLATE AREA,  
 2.54 $\mu$ m [.000100] MIN TIN-LEAD PLATE ON THE SOLDER-TAIL,  
 1.27 $\mu$ m [.000050] MIN NICKEL UNDERPLATE ON THE ENTIRE POST.
- ⑥ MATERIAL:  
 HOUSING: GLASS FILLED NYLON OR POLYESTER, 94V-0 RATED, BLACK.  
 POSTS: BRASS.

|          |         |         |         |         |         |         |            |             |
|----------|---------|---------|---------|---------|---------|---------|------------|-------------|
| OBSOLETE | 53.34   | 65.02   | 65.02   | 75.18   | 71.12   | 60.96   | 44         | 1-102159-3  |
|          | [2.100] | [2.560] | [2.560] | [2.960] | [2.800] | [2.400] |            |             |
|          | 78.74   | 90.42   | 90.42   | 100.58  | 96.52   | 86.36   | 64         | 1-102159-2  |
|          | [3.100] | [3.560] | [3.560] | [3.960] | [3.800] | [3.400] |            |             |
|          | 73.66   | 85.34   | 85.34   | 95.50   | 91.44   | 81.28   | 60         | 1-102159-1  |
|          | [2.900] | [3.360] | [3.360] | [3.760] | [3.600] | [3.200] |            |             |
|          | 60.96   | 72.64   | 72.64   | 82.80   | 78.74   | 68.58   | 50         | 1-102159-0  |
|          | [2.400] | [2.860] | [2.860] | [3.260] | [3.100] | [2.700] |            |             |
|          | 48.26   | 59.94   | 59.94   | 70.10   | 66.04   | 55.88   | 40         | 102159-9    |
|          | [1.900] | [2.360] | [2.360] | [2.760] | [2.600] | [2.200] |            |             |
|          | 40.64   | 52.32   | 52.32   | 62.48   | 58.42   | 48.26   | 34         | 102159-8    |
|          | [1.600] | [2.060] | [2.060] | [2.460] | [2.300] | [1.900] |            |             |
|          | 35.56   | 47.24   | 47.24   | 57.40   | 53.34   | 43.18   | 30         | 102159-7    |
|          | [1.400] | [1.860] | [1.860] | [2.260] | [2.100] | [1.700] |            |             |
|          | 30.48   | 42.16   | 42.16   | 52.32   | 48.26   | 38.10   | 26         | 102159-6    |
|          | [1.200] | [1.660] | [1.660] | [2.060] | [1.900] | [1.500] |            |             |
| OBSOLETE | 27.94   | 39.62   | 39.62   | 49.78   | 45.72   | 35.56   | 24         | 102159-5    |
|          | [1.100] | [1.560] | [1.560] | [1.960] | [1.800] | [1.400] |            |             |
|          | 22.86   | 34.54   | 34.54   | 44.70   | 40.64   | 30.48   | 20         | 102159-4    |
|          | [.900]  | [1.360] | [1.360] | [1.760] | [1.600] | [1.200] |            |             |
|          | 17.78   | 29.46   | 29.46   | 39.62   | 35.56   | 25.40   | 16         | 102159-3    |
|          | [.700]  | [1.160] | [1.160] | [1.560] | [1.400] | [1.000] |            |             |
|          | 15.24   | 26.92   | 26.92   | 37.08   | 33.02   | 22.86   | 14         | 102159-2    |
|          | [.600]  | [1.060] | [1.060] | [1.460] | [1.300] | [.900]  |            |             |
|          | 10.16   | 21.84   | 21.84   | 32.00   | 27.94   | 17.78   | 10         | 102159-1    |
|          | [.400]  | [.860]  | [.860]  | [1.260] | [1.100] | [.700]  |            |             |
|          | F       | E       | D       | C       | B       | A       | NO OF POSN | PART NUMBER |

|   |   |  |                     |               |        |   |   |        |   |             |        |   |   |        |   |   |        |   |   |      |          |  |
|---|---|--|---------------------|---------------|--------|---|---|--------|---|-------------|--------|---|---|--------|---|---|--------|---|---|------|----------|--|
| THIS DRAWING IS A CONTROLLED DOCUMENT.  |   | DIN 4-23-90                            | H. MOLL             |               |        |   |   |        |   |             |        |   |   |        |   |   |        |   |   |      |          |  |
| DIMENSIONS: mm [INCHES]   |   | TOLERANCES UNLESS OTHERWISE SPECIFIED: | 0.13 [.005]         | 11/28/90      |        |   |   |        |   |             |        |   |   |        |   |   |        |   |   |      |          |  |
| <table border="1"> <tr><td>0. PLC</td><td>±</td><td>-</td></tr> <tr><td>1. PLC</td><td>±</td><td>-</td></tr> <tr><td>2. PLC</td><td>±</td><td>0.13 [.005]</td></tr> <tr><td>3. PLC</td><td>±</td><td>-</td></tr> <tr><td>4. PLC</td><td>±</td><td>-</td></tr> <tr><td>ANGLES</td><td>±</td><td>-</td></tr> </table> |   | 0. PLC                                 | ±                   | -             | 1. PLC | ± | - | 2. PLC | ± | 0.13 [.005] | 3. PLC | ± | - | 4. PLC | ± | - | ANGLES | ± | - | APVD | R. STONE |  |
| 0. PLC  | ± | -                                      |                     |               |        |   |   |        |   |             |        |   |   |        |   |   |        |   |   |      |          |  |
| 1. PLC  | ± | -                                      |                     |               |        |   |   |        |   |             |        |   |   |        |   |   |        |   |   |      |          |  |
| 2. PLC  | ± | 0.13 [.005]                            |                     |               |        |   |   |        |   |             |        |   |   |        |   |   |        |   |   |      |          |  |
| 3. PLC  | ± | -                                      |                     |               |        |   |   |        |   |             |        |   |   |        |   |   |        |   |   |      |          |  |
| 4. PLC  | ± | -                                      |                     |               |        |   |   |        |   |             |        |   |   |        |   |   |        |   |   |      |          |  |
| ANGLES  | ± | -                                      |                     |               |        |   |   |        |   |             |        |   |   |        |   |   |        |   |   |      |          |  |
| MATERIAL  |   | FINISH                                 | NAME                |               |        |   |   |        |   |             |        |   |   |        |   |   |        |   |   |      |          |  |
| ⑥   |   | ⑤                                      | STE TE Connectivity |               |        |   |   |        |   |             |        |   |   |        |   |   |        |   |   |      |          |  |
| CUSTOMER DRAWING  |   | SCALE 4:1                              | SHEET 2 OF 2        |               |        |   |   |        |   |             |        |   |   |        |   |   |        |   |   |      |          |  |
| WEIGHT  |   | SIZE                                   | DRAWING NO          |               |        |   |   |        |   |             |        |   |   |        |   |   |        |   |   |      |          |  |
| A1  |   | 00779                                  |                     | RESTRICTED TO |        |   |   |        |   |             |        |   |   |        |   |   |        |   |   |      |          |  |
| A1  |   | 102159                                 |                     | REV           |        |   |   |        |   |             |        |   |   |        |   |   |        |   |   |      |          |  |

## X-ON Electronics

Largest Supplier of Electrical and Electronic Components

*Click to view similar products for [Headers & Wire Housings](#) category:*

*Click to view products by [TE Connectivity](#) manufacturer:*

Other Similar products are found below :

[892-18-020-10-001101](#) [58102-G61-06LF](#) [582553-1](#) [0009485154](#) [009176003701906](#) [0050291907](#) [LY20-4P-DT1-P1E-BR](#) [02.125.8002.8](#)  
[609-3404](#) [61062-3](#) [61082-181009](#) [622-3653LF](#) [63453-116](#) [636-1030](#) [636-1427](#) [636-3427](#) [636-4007](#) [641938-9](#) [641991-4](#) [644827-2](#) [65817-010LF](#) [65817-015LF](#) [65863-015LF](#) [66207-023LF](#) [67095-007LF](#) [67601157](#) [68645-018](#) [68648-049](#) [70.362.1628.0](#) [70-4210](#) [70-4226B](#) [70-4853B](#) [707-5020](#) [707-5028](#) [71.350.2428.0](#) [71918-208LF](#) [71961-016LF](#) [733-134](#) [733-162](#) [754199-000](#) [760-3052](#) [787-8014-00](#) [79531-3000](#)  
[FCN-360C032-B](#) [FCN-367T-T012/H](#) [FCN-723D010/2](#) [80.063.4001.1](#) [800-90-001-10-001000](#) [800-90-010-10-002000](#) [801-43-002-10-013000](#)