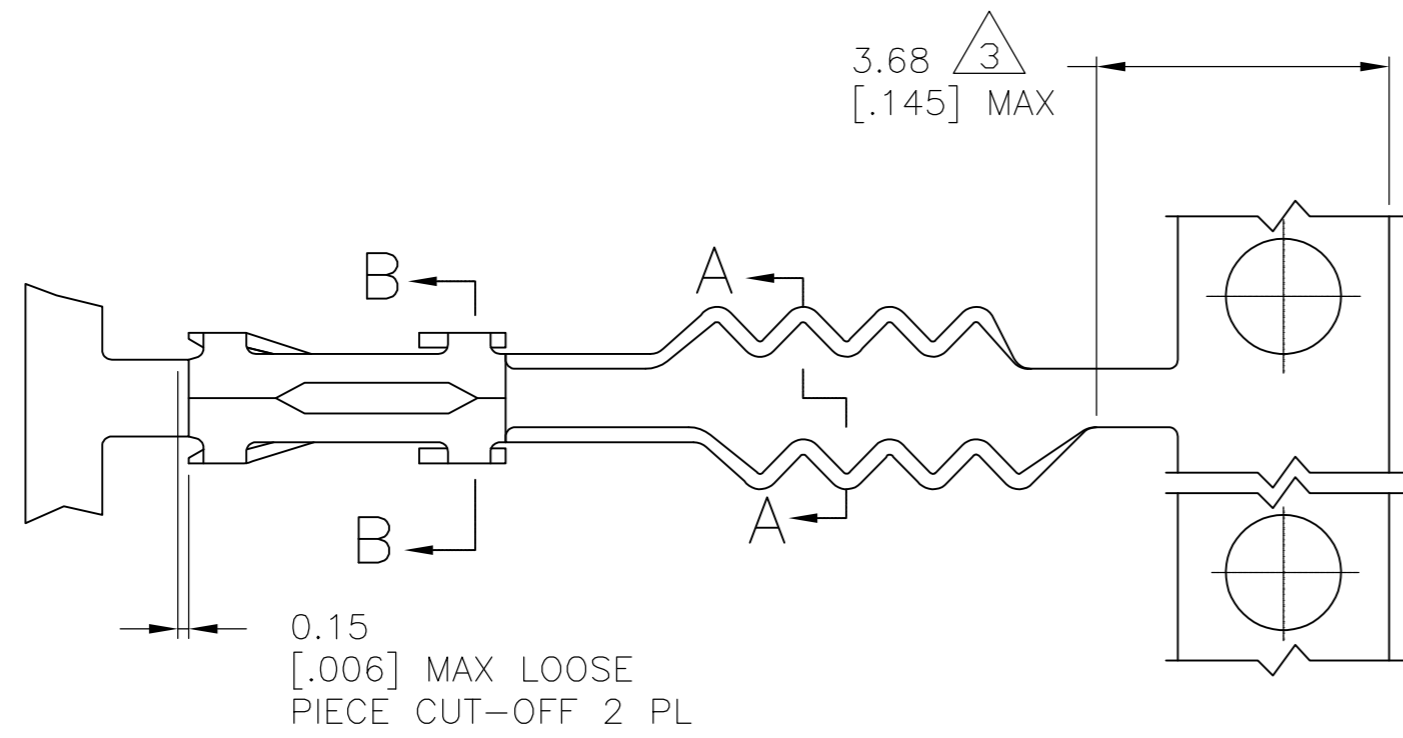
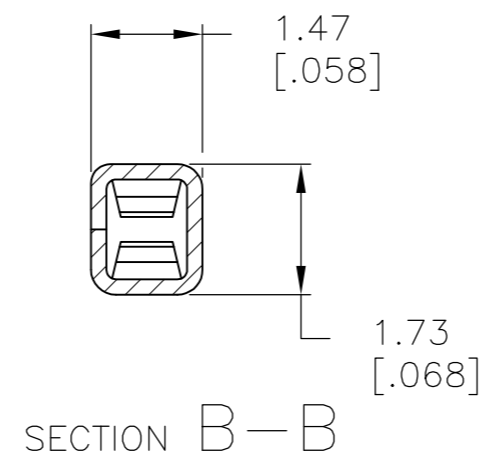
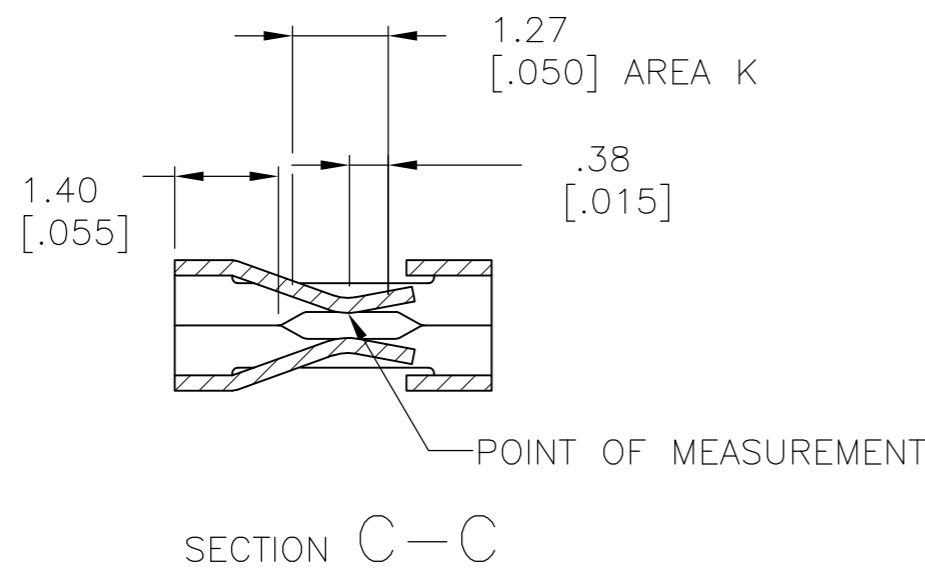
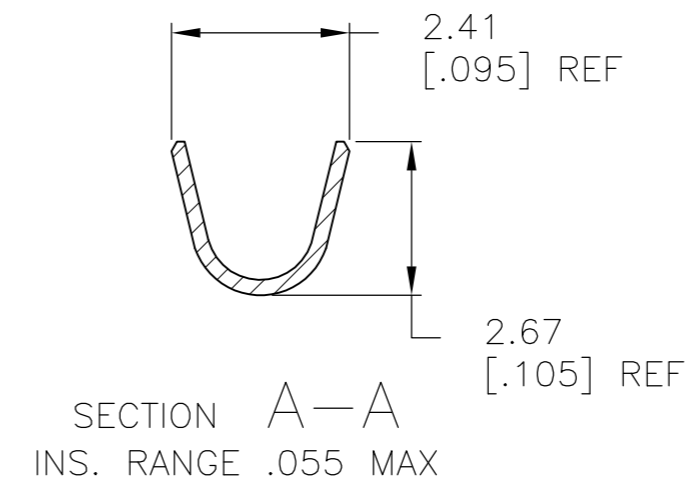
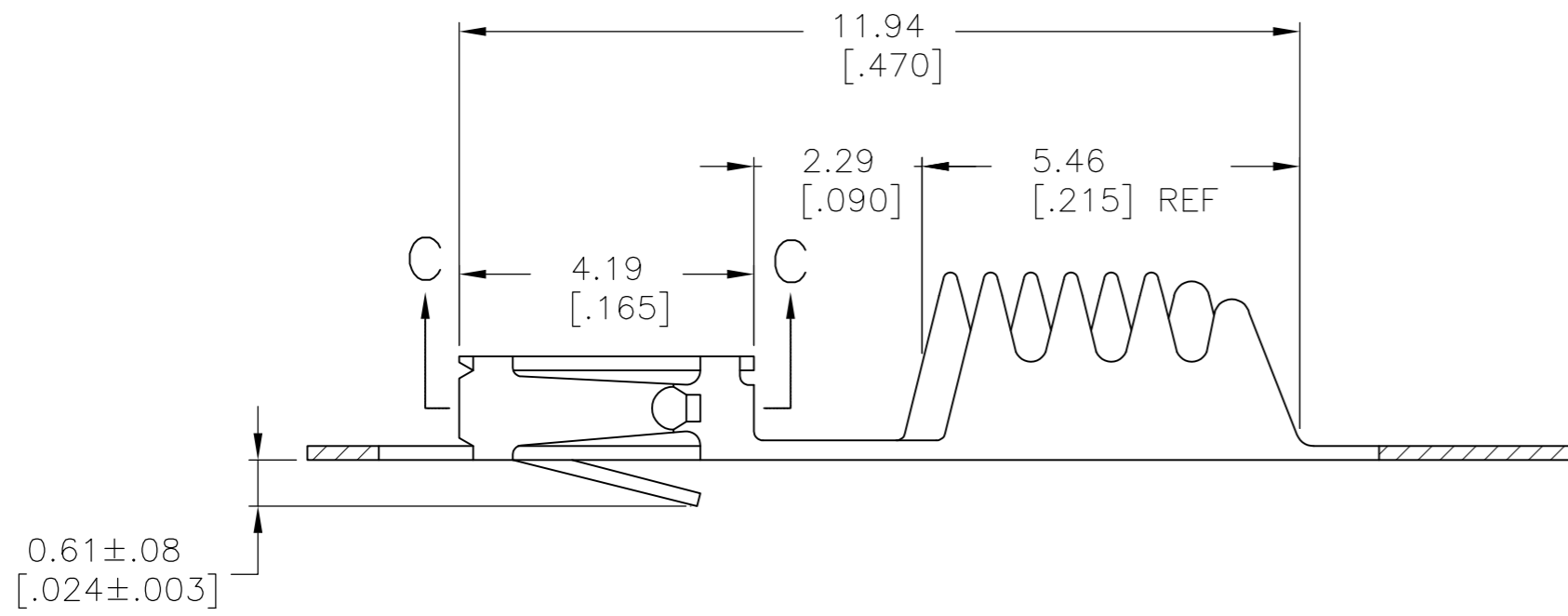


THIS DRAWING IS UNPUBLISHED. RELEASED FOR PUBLICATION
 © COPYRIGHT BY TYCO ELECTRONICS CORPORATION. ALL RIGHTS RESERVED.

LOC	DIST	REVISIONS			
P	LTR	DESCRIPTION	DATE	DWN	APVD
AD	00	H	REV & REDWN PER 0010-0309-06	31DEC96	JH JH
		H1	REVISED PER ECO-09-024717	04NOV09	KK AEG



- $\triangle 1$ FINISH: .000050-.000150 PREPLATED BRIGHT TIN.
- $\triangle 2$ LUBRICATED
- $\triangle 3$.000030 GOLD IN AREA K, GOLD FLASH ON THE REMAINDER, OVER .000050 NICKEL.
- $\triangle 5$ REELED FOR MINI APPLICATOR.
- $\triangle 6$ OBSOLETE PARTS: OBSOLETE CIS STREAMLINING PER D.RENAUD/D.SINISI



$\triangle 6$ OBSOLETE	$\triangle 3$	102169-5-
$\triangle 1$	$\triangle 2$	102169-1
FINISH		PART NO. $\triangle 3$

THIS DRAWING IS A CONTROLLED DOCUMENT.		DWN J.HERRINGTON 31DEC96	Tyco Electronics Corporation	
DIMENSIONS: mm [INCHES]		CHK J.HERRINGTON 31DEC96	Harrisburg, PA 17105-3608	
TOLERANCES UNLESS OTHERWISE SPECIFIED:		APVD J.HERRINGTON 31DEC96	NAME	
0 PLC ± -		PRODUCT SPEC	RECEPTACLE CONTACT, MOD IV,	
1 PLC ± -		APPLICATION SPEC	CRIMP-SNAP-IN,	
2 PLC ± -		114-25003	INSULATION PIERCING	
3 PLC ± -		WEIGHT -	SIZE A2	CAGE CODE 00779
4 PLC ± -		CUSTOMER DRAWING	DRAWING NO C=102169	RESTRICTED TO -
FINISH SEE TABLE		SCALE 10:1	SHEET 1 of 1	REV H1

X-ON Electronics

Largest Supplier of Electrical and Electronic Components

Click to view similar products for [Headers & Wire Housings](#) category:

Click to view products by [TE Connectivity](#) manufacturer:

Other Similar products are found below :

[892-18-020-10-001101](#) [58102-G61-06LF](#) [582553-1](#) [0009485154](#) [009176003701906](#) [0050291907](#) [LY20-4P-DT1-P1E-BR](#) [02.125.8002.8](#)
[609-3404](#) [61062-3](#) [61082-181009](#) [622-3653LF](#) [63453-116](#) [636-1030](#) [636-1427](#) [636-3427](#) [636-4007](#) [641938-9](#) [641991-4](#) [644827-2](#) [65817-](#)
[010LF](#) [65817-015LF](#) [65863-015LF](#) [66207-023LF](#) [67095-007LF](#) [67601157](#) [68645-018](#) [68648-049](#) [70.362.1628.0](#) [70-4210](#) [70-4226B](#) [70-](#)
[4853B](#) [707-5020](#) [707-5028](#) [71.350.2428.0](#) [71918-208LF](#) [71961-016LF](#) [733-134](#) [733-162](#) [754199-000](#) [760-3052](#) [787-8014-00](#) [79531-3000](#)
[FCN-360C032-B](#) [FCN-367T-T012/H](#) [FCN-723D010/2](#) [80.063.4001.1](#) [800-90-001-10-001000](#) [800-90-010-10-002000](#) [801-43-002-10-013000](#)