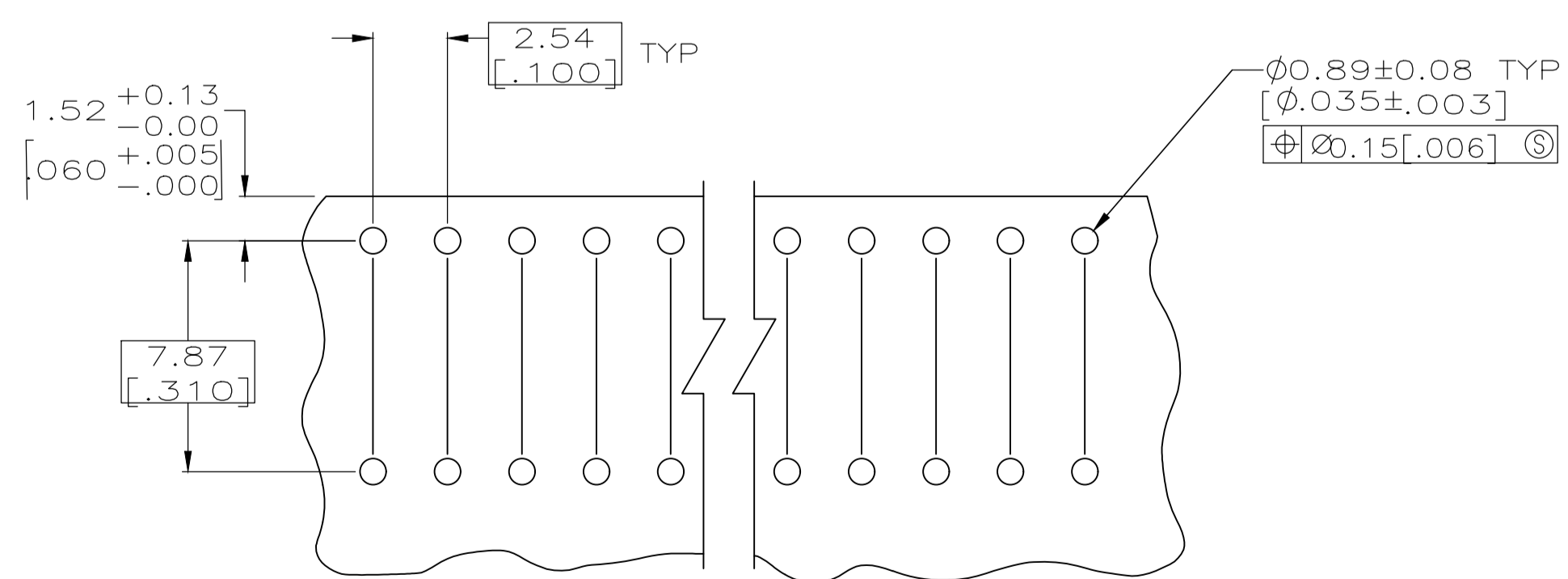
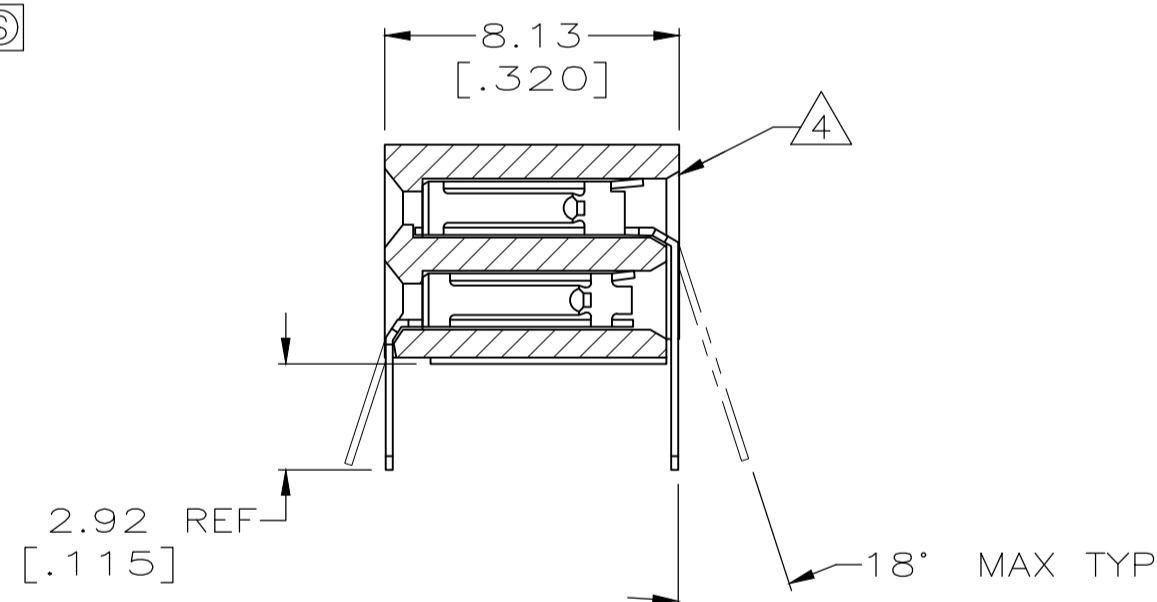
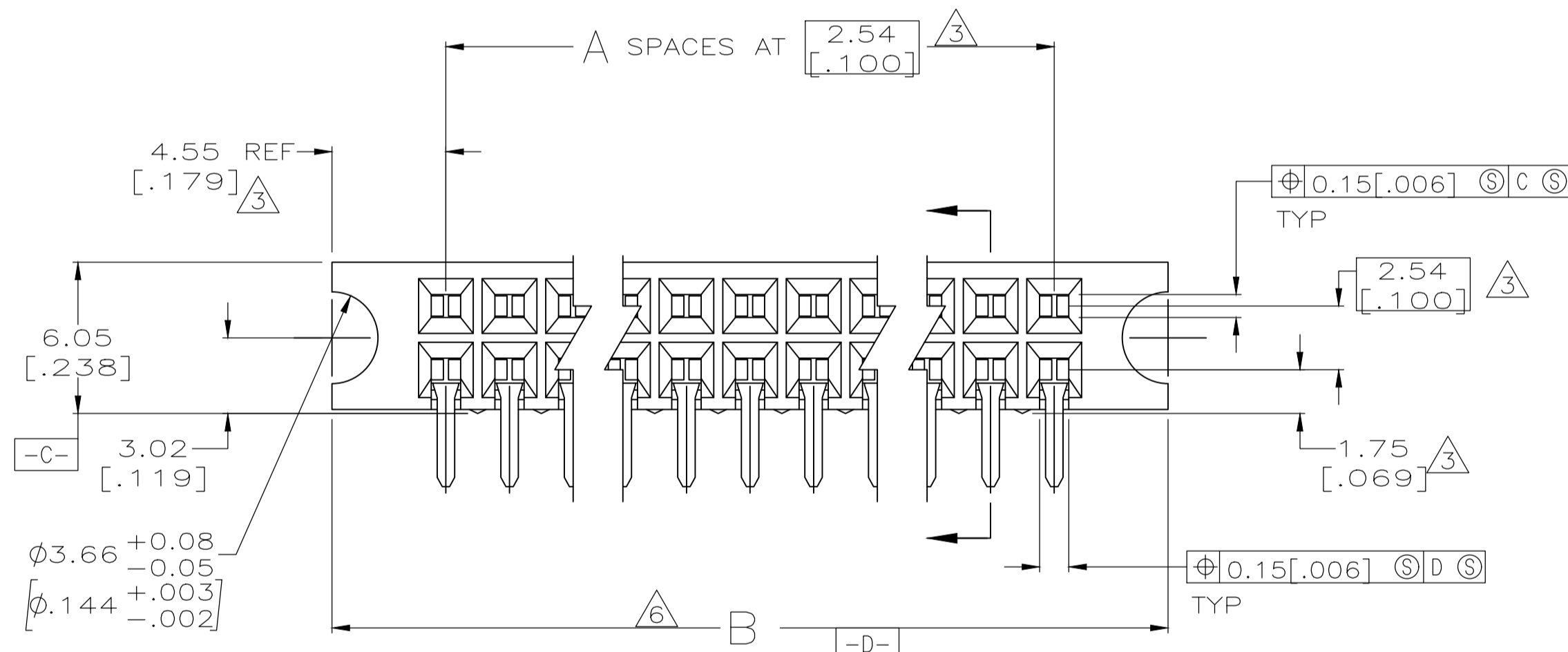
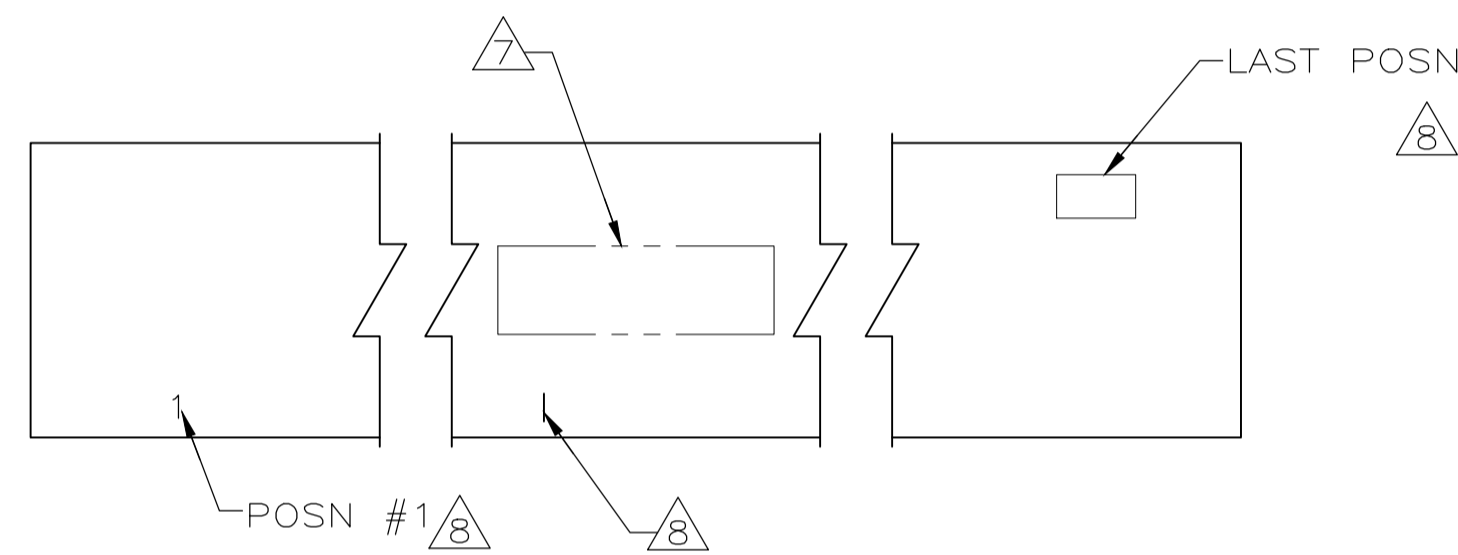


REVISIONS				
P	LTR	DESCRIPTION	DATE	DWN APVD
G	REV PER ECO	16-004482	9-21-18	CT MS

1. QUALITY CONFORMANCE INSPECTION PER MIL-C-55302 (GROUP A, B & C).
2. PACKAGED PER MIL-C-55302
3. THESE DIMENSIONS PERTAIN TO CAVITY CENTERLINES ONLY, NOT TO CONTACT LOCATIONS.
4. SLOT OPTIONAL AT INDICATED AREA OF HOUSING.
5. CONTACTS: GOLD FLASH OVER 0.000762 TO 0.00381 [.000030 TO .000150] NICKEL ENTIRE CONTACT, 0.00127[.000050] GOLD ON CONTACT AREA ONLY.
6. TOLERANCE TO CENTER OR RADIUS IS $\pm 0.15[.006]$, TO END OF BLOCK $\pm 0.51[.020]$.
7. MARKED IN APPROXIMATE AREA SHOWN
 EXAMPLE: AMP PART NO
 DATE CODE MILITARY PART NUMBER
8. CHARACTERS MARKED IN AREA SHOWN, EVERY FIFTH POSITION MARKED WITH A BAR
9. "CSA" LOGO MARKED ON HOUSING.



RECOMMENDED PC BOARD HOLE LAYOUT

M55302/128-DL2A	158.95 [6.258]	59	120	1-102192-1
M55302/128-DA2A	133.55 [5.258]	49	100	1-102192-0
M55302/128-CG2A	108.15 [4.258]	39	80	102192-9
M55302/128-BH2A	70.05 [2.758]	24	50	102192-8
M55302/128-DB2A	136.09 [5.358]	50	102	102192-7
M55302/128-AM2A	39.57 [1.558]	12	26	102192-6
M55302/128-AK2A	34.49 [1.358]	10	22	102192-5
M55302/128-BN2A	82.75 [3.258]	29	60	102192-4
M55302/128-BK2A	75.13 [2.958]	26	54	102192-3
M55302/128-BM2A	80.21 [3.158]	28	58	102192-2
M55302/128-CJ2A	113.23 [4.458]	41	84	102192-1
MILITARY PART NUMBER	B	A	NO OF POSN	PART NUMBER

DIMENSIONS:		TOLERANCES UNLESS OTHERWISE SPECIFIED:		MATERIAL FINISH:		WEIGHT:		SCALE:	
mm		0 PLC	± -	TE Connectivity	0.000000	5:1	1	1	1
		1 PLC	± -						
		2 PLC	± 0						
		3 PLC	± 0.25[.010]						
		4 PLC	± -						
		ANGLES	± -						

X-ON Electronics

Largest Supplier of Electrical and Electronic Components

Click to view similar products for [Board to Board & Mezzanine Connectors](#) category:

Click to view products by [TE Connectivity](#) manufacturer:

Other Similar products are found below :

[589158040000018](#) [FCN-230C068-11](#) [FCN-268F012-G/BD](#) [FCN-268F036-G/BD](#) [FCN-268M012-G/0D](#) [FCN-268M024-G/1D](#) [FCN-723J004/1](#) [MIS-048-01-F-D-DP-K](#) [832-10-034-10-001000](#) [FX4C-80S-1.27DSA](#) [FCN-214Q030-G/0](#) [FCN-234P048-G/0](#) [FCN-235D050-G/C](#) [210-93-314-41-105000](#) [2-22603-0](#) [MDF7-40DP-2.54DSA\(55\)](#) [AXG720047](#) [5031084030](#) [MIT-114-03-F-D-K](#) [55323-1519](#) [DF33-2P-3.3DSA\(24\)](#) [YFT-20-05-H-03-SB-K](#) [503308-3040](#) [026-6203-PDB](#) [027-6203-PDB](#) [069159702701000](#) [10123981-102LF](#) [101A10019X](#) [55650-0588-C](#) [68684-306](#) [75140-7012](#) [589159005003045](#) [194261-1](#) [FCN-268F024-G0D](#) [10124054-515LF](#) [68685-603](#) [8-1616154-3](#) [MIS-019-01-F-D](#) [589159005002045](#) [541371078](#) [IL-WX-10PB-HF-B-E1000E](#) [FCN-268M024-G/3D](#) [20021832-06016C1LF](#) [KX15-20KLDL-E1000E](#) [MDF7-16DP-2.54DSA\(55\)](#) [AXE810124](#) [FCN-214J100-G/0](#) [FCN-230C068-E/S](#) [AXE812124](#) [AXE816124](#)