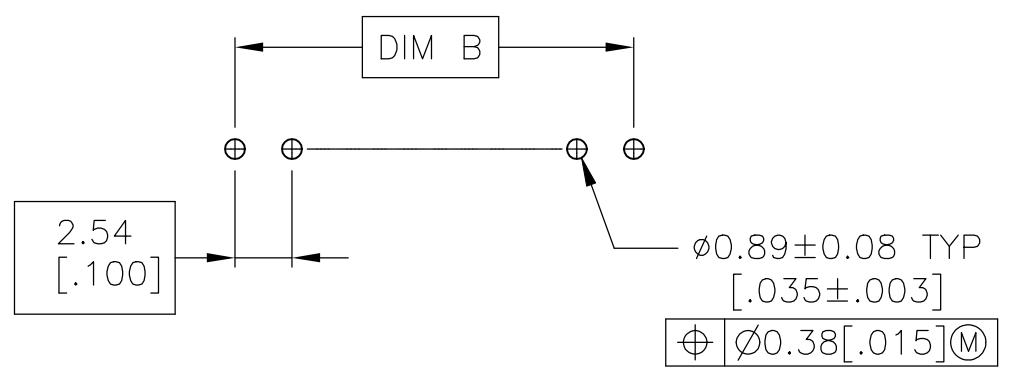
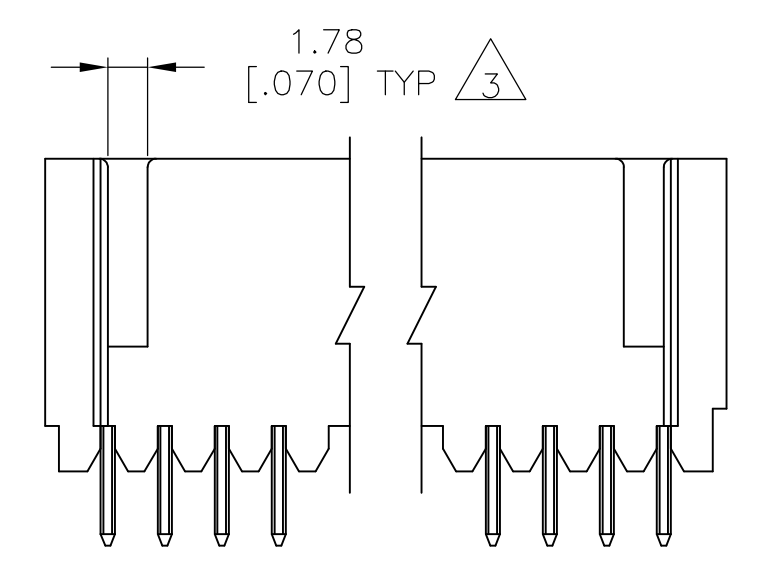
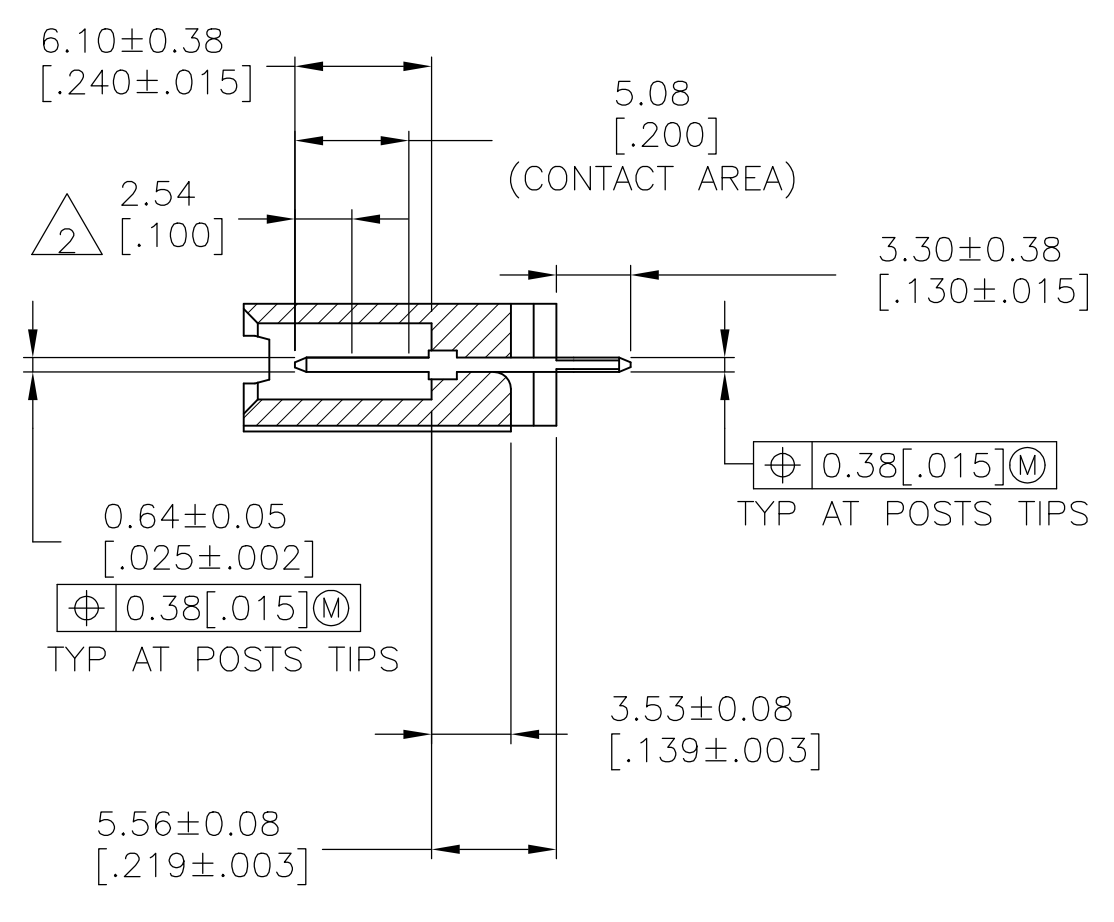
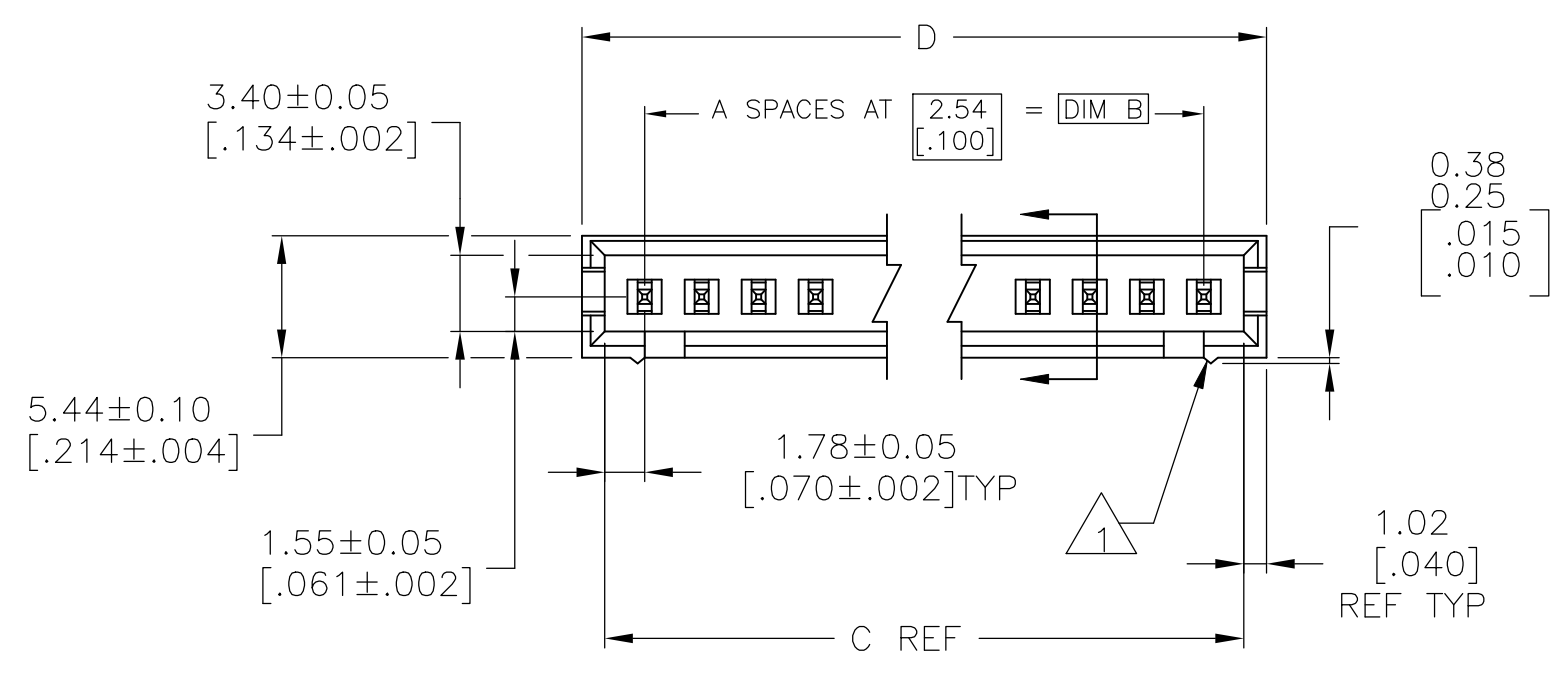
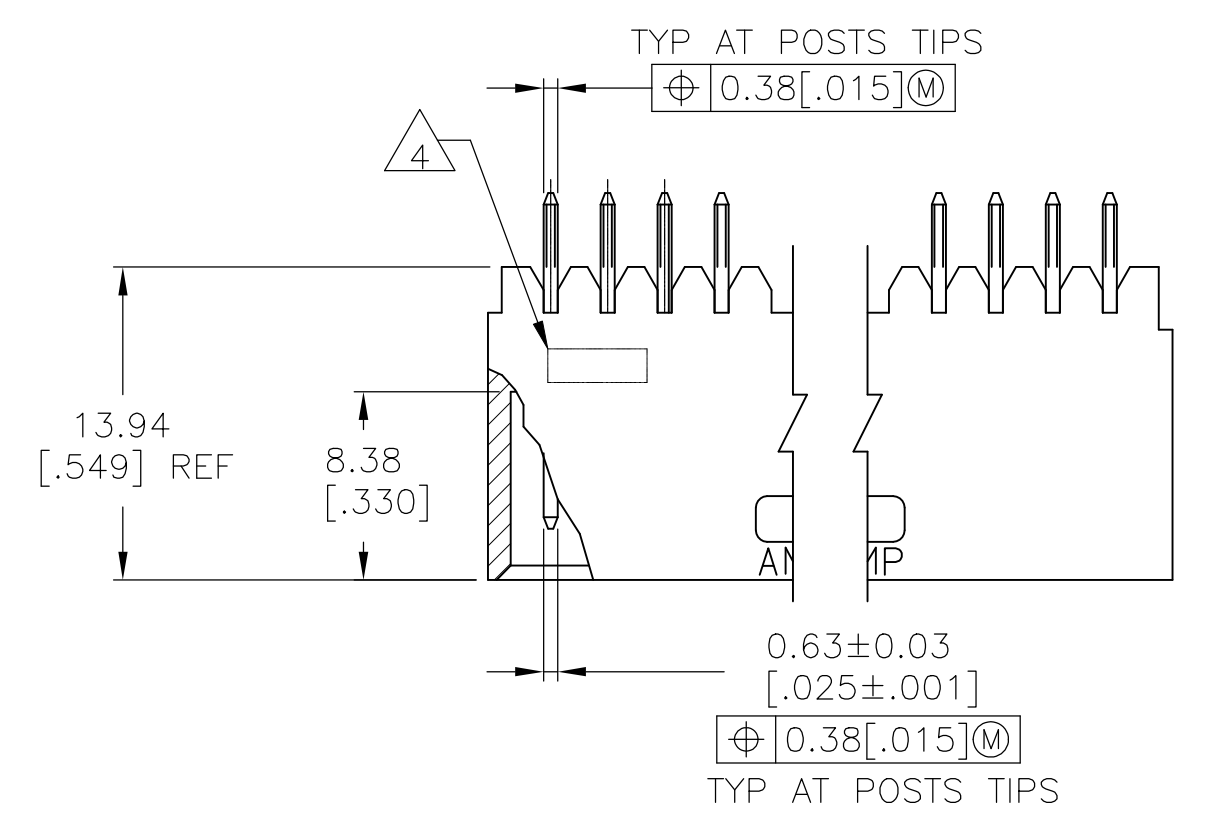


REVISIONS				
P	LTR	DESCRIPTION	DATE	APP'D
P3		PART STATUS UPDATED IN PART LIST TABLE	08FEB2018	SD PS

- 1 STANDOFFS: UP TO 9 POS--(2 REQD) ON THE OUTSIDE ENDS OF THE HOUSING
10 TO 19 POS--(3 REQD) TWO ON THE OUTSIDE ENDS AND ONE CENTERED ON THE HOUSING
19 POS AND LARGER--(4 REQD) TWO ON THE OUTSIDE ENDS AND TWO SPACED EVENLY WITHIN THE REMAINING LENGTH OF THE HOUSING
- 2 POINT OF MEASUREMENT FOR PLATING THICKNESS
- 3 FOR 3 POS (3--4 ONLY) ONE SLOT, 5.46[.215] WIDE.
- 4 RECESSED DATE CODE
- 5 HOUSING: FLAME RETARDANT THERMOPLASTIC, COLOR - BLACK.
POSTS: BRASS.
- 6 0.00038[.000015] GOLD ON THE CONTACT AREA,
0.00254[.000100]-0.00508[.000200] MATTE TIN-LEAD ON THE SOLDER TAIL
ALL OVER 0.00127[.000050] NICKEL.
- 7 0.00038[.000015] GOLD ON THE CONTACT AREA,
0.00254[.000100]-0.00508[.000200] MATTE TIN ON THE SOLDER TAIL
ALL OVER 0.00127[.000050] NICKEL.
- 8 OBSOLETE PARTS: OBSOLETE CIS STREAMLINING PER D.RENAUD/D.SINISI



RECOMMENDED HOLE LAYOUT

3	2	1	0	9	8	7	6	5	4	3	2	1	0
OB	66.55	64.52	60.96	24	25	8-102202-4							
OB	64.01	61.98	58.42	23	24	7-102202-1							
OB	61.47	59.44	55.88	22	23	7-102202-0							
OB	58.93	56.90	53.34	21	22	6-102202-9							
OB	56.39	54.36	50.80	20	21	6-102202-8							
OB	53.85	51.82	48.26	19	20	6-102202-7							
OB	51.31	49.28	45.72	18	19	6-102202-6							
	48.77	46.74	43.18	17	18	6-102202-5							
	46.23	44.20	40.64	16	17	6-102202-4							
	43.69	41.66	38.10	15	16	6-102202-3							
	41.15	39.12	35.56	14	15	6-102202-2							
	38.61	36.58	33.02	13	14	6-102202-1							
	36.07	34.04	30.48	12	13	6-102202-0							
	33.53	31.50	27.94	11	12	5-102202-9							
	30.99	28.96	25.40	10	11	5-102202-8							
	28.45	26.42	22.86	9	10	5-102202-7							
	25.91	23.88	20.32	8	9	5-102202-6							
	23.37	21.34	17.78	7	8	5-102202-5							
	20.83	18.80	15.24	6	7	5-102202-4							
	18.29	16.26	12.70	5	6	5-102202-3							
	15.75	13.72	10.16	4	5	5-102202-2							
	13.21	11.18	7.62	3	4	5-102202-1							
	10.67	8.64	5.08	2	3	3-102202-4							
OB	94.49	92.46	88.90	35	36	3-102202-3							
OB	91.95	89.92	86.36	34	35	3-102202-2							
OB	89.41	87.38	83.82	33	34	3-102202-1							
OB	86.87	84.84	81.28	32	33	3-102202-0							
OB	84.33	82.30	78.74	31	32	2-102202-9							
OB	81.79	79.76	76.20	30	31	2-102202-8							
OB	79.25	77.22	73.66	29	30	2-102202-7							
OB	76.71	74.68	71.12	28	29	2-102202-6							
OB	74.17	72.14	68.58	27	28	2-102202-5							
OB	71.63	69.60	66.04	26	27	2-102202-4							
OB	69.09	67.06	63.50	25	26	2-102202-3							
OB	66.55	64.52	60.96	24	25	2-102202-2							
OB	64.01	61.98	58.42	23	24	2-102202-1							
OB	61.47	59.44	55.88	22	23	2-102202-0							
OB	58.93	56.90	53.34	21	22	1-102202-9							
OB	56.39	54.36	50.80	20	21	1-102202-8							
OB	53.85	51.82	48.26	19	20	1-102202-7							
OB	51.31	49.28	45.72	18	19	1-102202-6							
OB	48.77	46.74	43.18	17	18	1-102202-5							
OB	46.23	44.20	40.64	16	17	1-102202-4							
OB	43.69	41.66	38.10	15	16	1-102202-3							
OB	41.15	39.12	35.56	14	15	1-102202-2							
OB	38.61	36.58	33.02	13	14	1-102202-1							
OB	36.07	34.04	30.48	12	13	1-102202-0							
OB	33.53	31.50	27.94	11	12	102202-9							
OB	30.99	28.96	25.40	10	11	102202-8							
OB	28.45	26.42	22.86	9	10	102202-7							
OB	25.91	23.88	20.32	8	9	102202-6							
OB	23.37	21.34	17.78	7	8	102202-5							
OB	20.83	18.80	15.24	6	7	102202-4							
OB	18.29	16.26	12.70	5	6	102202-3							
OB	15.75	13.72	10.16	4	5	102202-2							
OB	13.21	11.18	7.62	3	4	102202-1							
PLATING	D	C	B	A	NO OF POSN	PART NUMBER							

SUPERSEDED BY 6-102202-4

THIS DRAWING IS A CONTROLLED DOCUMENT. DWN F. BRANDBERG 04NOV97
 DIMENSIONS: mm [INCHES] TOLERANCES UNLESS OTHERWISE SPECIFIED: 0 PLC ±, 1 PLC ±, 2 PLC ±, 3 PLC ± 0.38 [.015], 4 PLC ±, ANGLES ±.
 MATERIAL: 5 FINISH: SEE TABLE WEIGHT: CUSTOMER DRAWING
 APVD S. SHUJEE 04NOV97 NAME: ASSEMBLY, MOD II, HEADER, SINGLE ROW .100 C/L. VERTICAL, WITH .025 SQUARE POSTS
 APPLICATION SPEC: SIZE: A1 CAGE CODE: 00779 DRAWING NO: 102202 RESTRICTED TO: 1 OF 1 REV: P3
 SCALE: 3:1 SHEET: 1 OF 1

X-ON Electronics

Largest Supplier of Electrical and Electronic Components

Click to view similar products for [Headers & Wire Housings](#) category:

Click to view products by [TE Connectivity](#) manufacturer:

Other Similar products are found below :

[892-18-020-10-001101](#) [58102-G61-06LF](#) [582553-1](#) [0009485154](#) [009176003701906](#) [0050291907](#) [LY20-4P-DT1-P1E-BR](#) [02.125.8002.8](#)
[609-3404](#) [61062-3](#) [61082-181009](#) [622-3653LF](#) [63453-116](#) [636-1030](#) [636-1427](#) [636-3427](#) [636-4007](#) [641938-9](#) [641991-4](#) [644827-2](#) [65817-010LF](#) [65817-015LF](#) [65863-015LF](#) [66207-023LF](#) [67095-007LF](#) [67601157](#) [68645-018](#) [68648-049](#) [70.362.1628.0](#) [70-4210](#) [70-4226B](#) [70-4853B](#) [707-5020](#) [707-5028](#) [71.350.2428.0](#) [71918-208LF](#) [71961-016LF](#) [733-134](#) [733-162](#) [754199-000](#) [760-3052](#) [787-8014-00](#) [79531-3000](#)
[FCN-360C032-B](#) [FCN-367T-T012/H](#) [FCN-723D010/2](#) [80.063.4001.1](#) [800-90-001-10-001000](#) [800-90-010-10-002000](#) [801-43-002-10-013000](#)