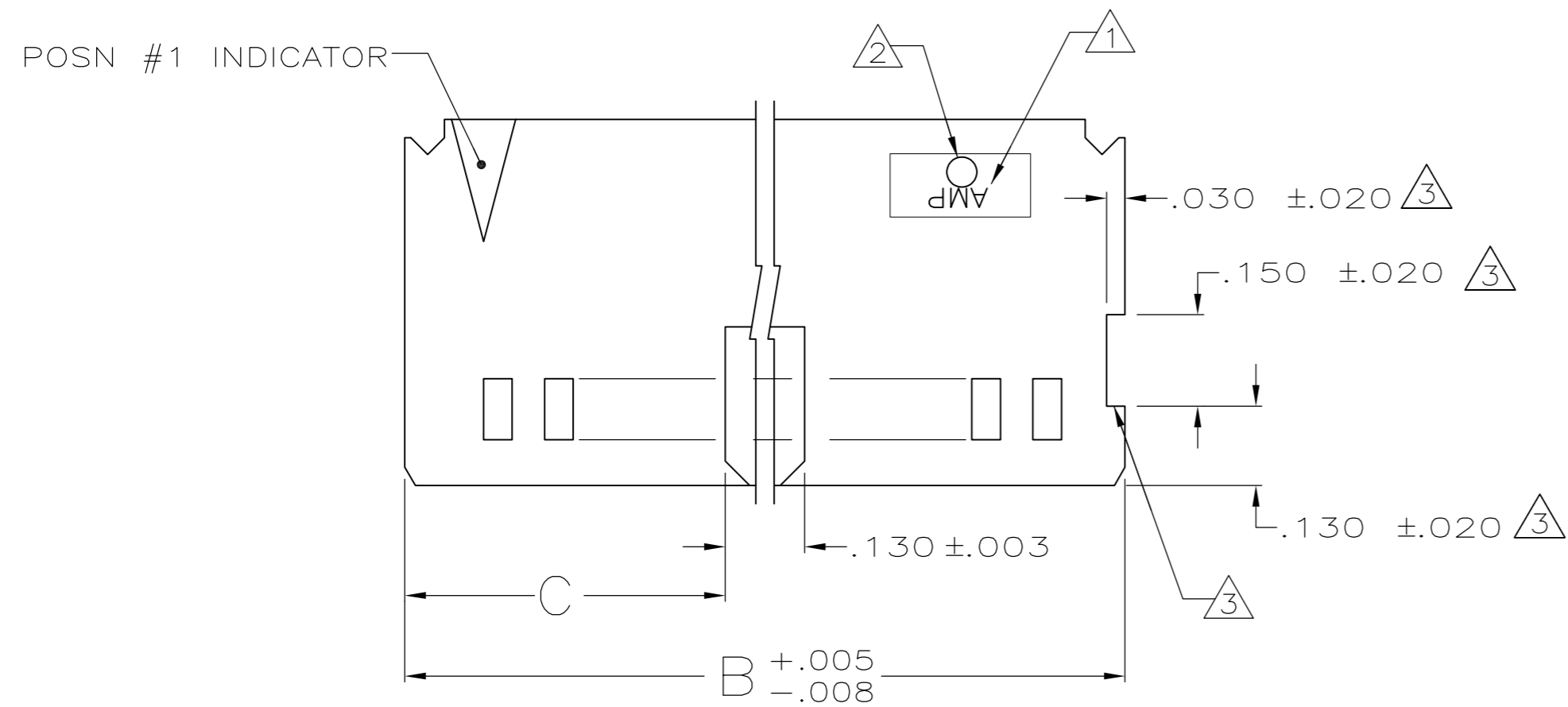
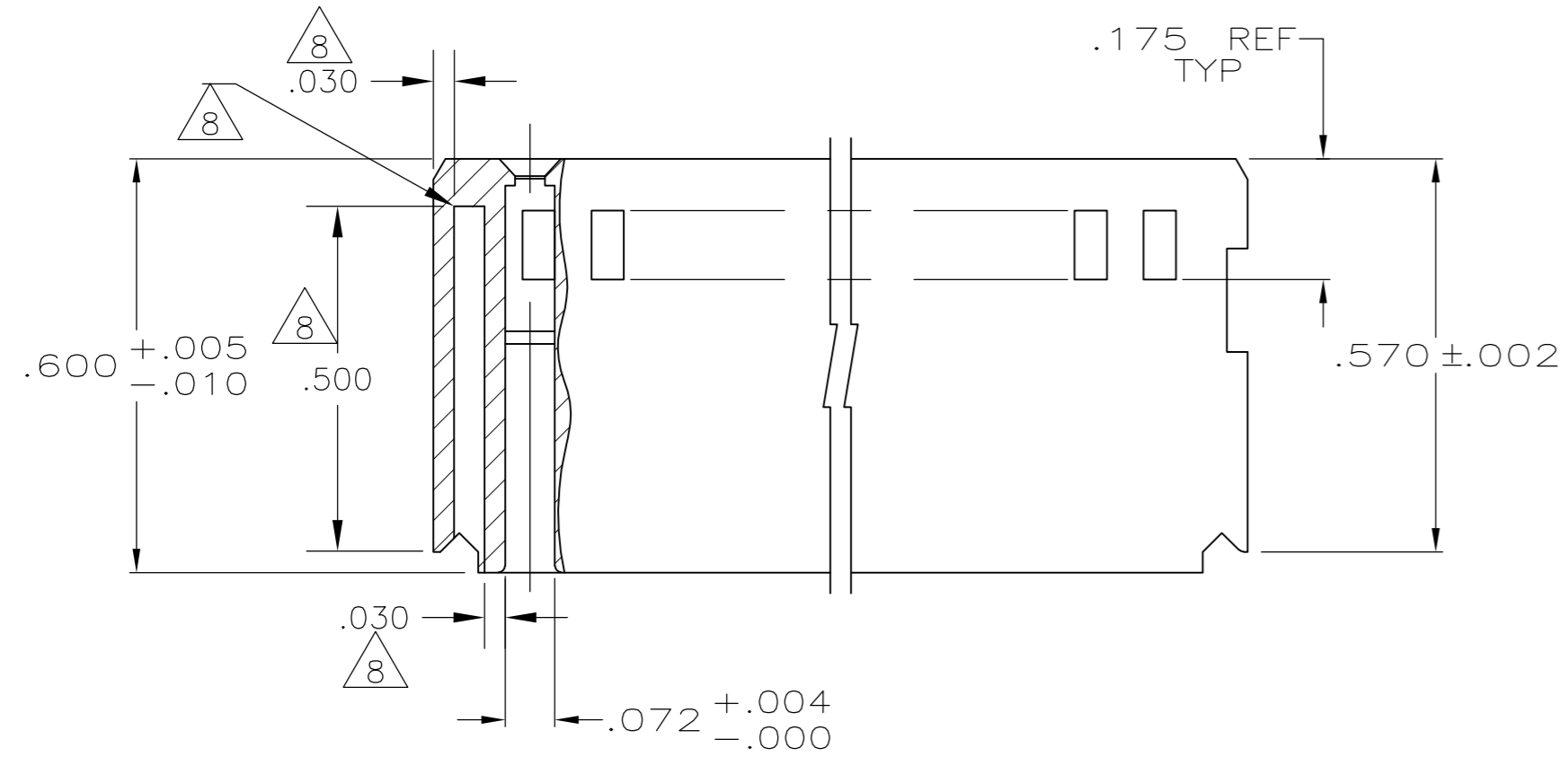
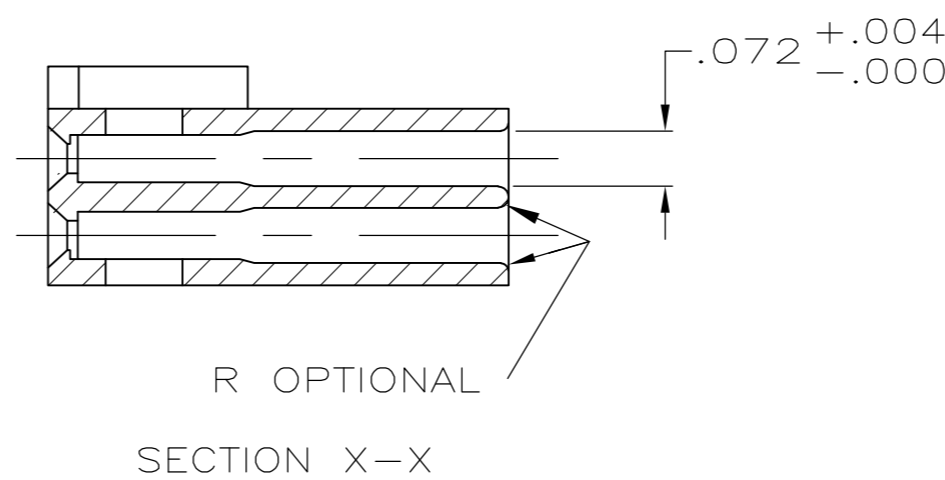
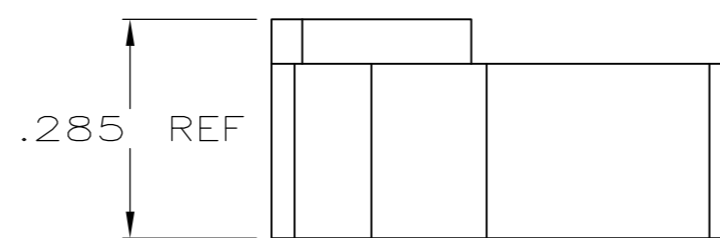
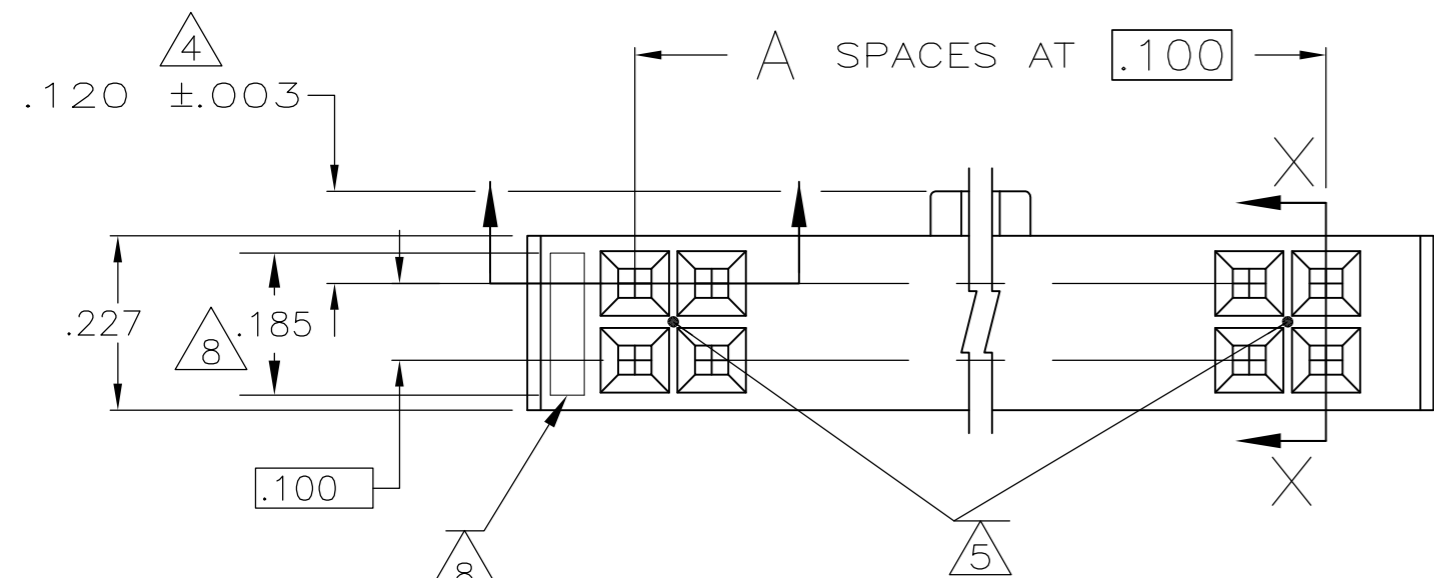


THIS DRAWING IS UNPUBLISHED. RELEASED FOR PUBLICATION
 © COPYRIGHT - By - ALL RIGHTS RESERVED.

LOC		DIST		REVISIONS			
P	LTR	DESCRIPTION		DATE	DWN	APVD	
AD	39	S2	REVISED PER ECO-11-010839	25MAY11	RK	HMR	



- 1 AMP TRADEMARK (MOLDED IN) .062±.015 HIGH CHARACTERS LOCATED APPROX AS SHOWN
- 2 MOLD CAVITY IDENT (MOLDED IN) .046±.015 HIGH CHARACTERS LOCATED APPROX AS SHOWN
- 3 RECESSED AREA AROUND MOLD GATE IS OPTIONAL. THIS FEATURE IS ALLOWABLE ON EITHER SIDE OF HOUSING OR MAY NOT BE PRESENT AT ALL.
- 4 COORDINATE DIMENSION APPLIES FROM CENTER OF FIRST ACTUAL FEATURE
- 5 RECESSED AREA AROUND GATE PERMISSIBLE. THIS FEATURE IS ALONG CENTERLINE OF MATING FACE.
- 6. WHEN MATING WITH AMP-LATCH UNIVERSAL HEADERS, P/N 1825851-1 MUST BE USED. PURCHASE SEPARATELY WITH HEADER- 2 REQUIRED.
- 7 OBSOLETE PARTS: OBSOLETE CIS STREAMLINING PER D.RENAUD/D.SINISI
- 8 VOID CORING IS OPTIONAL, AT MOLDER'S DISCRETION.



7 OBSOLETE	C	B	A	NO. OF POSN	PART NO.
.575	1.280	10	22	4	102387-5
.225	.580	3	8	1	102387-4
1.125	2.380	21	44	1	102387-3
1.625	3.380	31	64	1	102387-2
1.525	3.180	29	60	1	102387-1
1.275	2.680	24	50	1	102387-0
1.025	2.180	19	40	1	102387-9
.875	1.880	16	34	1	102387-8
.775	1.680	14	30	1	102387-7
.675	1.480	12	26	1	102387-6
.625	1.380	11	24	1	102387-5
.525	1.180	9	20	1	102387-4
.425	.980	7	16	1	102387-3
.375	.880	6	14	1	102387-2
.275	.680	4	10	1	102387-1

THIS DRAWING IS A CONTROLLED DOCUMENT.		DWN	5-17-89																				
		CHK	6-13-89																				
DIMENSIONS: INCHES		TOLERANCES UNLESS OTHERWISE SPECIFIED:		NAME																			
<table border="1"> <tr><td>0 PLC</td><td>±</td><td>-</td></tr> <tr><td>1 PLC</td><td>±</td><td>-</td></tr> <tr><td>2 PLC</td><td>±</td><td>-</td></tr> <tr><td>3 PLC</td><td>±</td><td>.005</td></tr> <tr><td>4 PLC</td><td>±</td><td>-</td></tr> <tr><td>ANGLES</td><td>±</td><td>-</td></tr> </table>		0 PLC	±	-	1 PLC	±	-	2 PLC	±	-	3 PLC	±	.005	4 PLC	±	-	ANGLES	±	-	APVD		-	
0 PLC	±	-																					
1 PLC	±	-																					
2 PLC	±	-																					
3 PLC	±	.005																					
4 PLC	±	-																					
ANGLES	±	-																					
MATERIAL: FLAME RETARDANT THERMOPLASTIC COLOR: BLACK PER ASTM D4066		FINISH		PRODUCT SPEC																			
				APPLICATION SPEC																			
		WEIGHT		SIZE																			
		-		A2																			
		CUSTOMER DRAWING		CAGE CODE																			
				00779																			
		SCALE		DRAWING NO																			
		4:1		C=102387																			
		SHEET		RESTRICTED TO																			
		1 of 1		-																			
		REV		S2																			

X-ON Electronics

Largest Supplier of Electrical and Electronic Components

Click to view similar products for [Headers & Wire Housings](#) category:

Click to view products by [TE Connectivity](#) manufacturer:

Other Similar products are found below :

[892-18-020-10-001101](#) [58102-G61-06LF](#) [582553-1](#) [0009485154](#) [009176003701906](#) [0050291907](#) [LY20-4P-DT1-P1E-BR](#) [02.125.8002.8](#)
[609-3404](#) [61062-3](#) [61082-181009](#) [622-3653LF](#) [63453-116](#) [636-1030](#) [636-1427](#) [636-3427](#) [636-4007](#) [641938-9](#) [641991-4](#) [644827-2](#) [65817-](#)
[010LF](#) [65817-015LF](#) [65863-015LF](#) [66207-023LF](#) [67095-007LF](#) [67601157](#) [68645-018](#) [68648-049](#) [70.362.1628.0](#) [70-4210](#) [70-4226B](#) [70-](#)
[4853B](#) [707-5020](#) [707-5028](#) [71.350.2428.0](#) [71918-208LF](#) [71961-016LF](#) [733-134](#) [733-162](#) [754199-000](#) [760-3052](#) [79531-3000](#) [FCN-](#)
[360C032-B](#) [FCN-367T-T012/H](#) [FCN-723D010/2](#) [80.063.4001.1](#) [800-90-010-10-002000](#) [801-43-002-10-013000](#) [801-43-006-10-002000](#)
[801-93-011-10-001000](#)