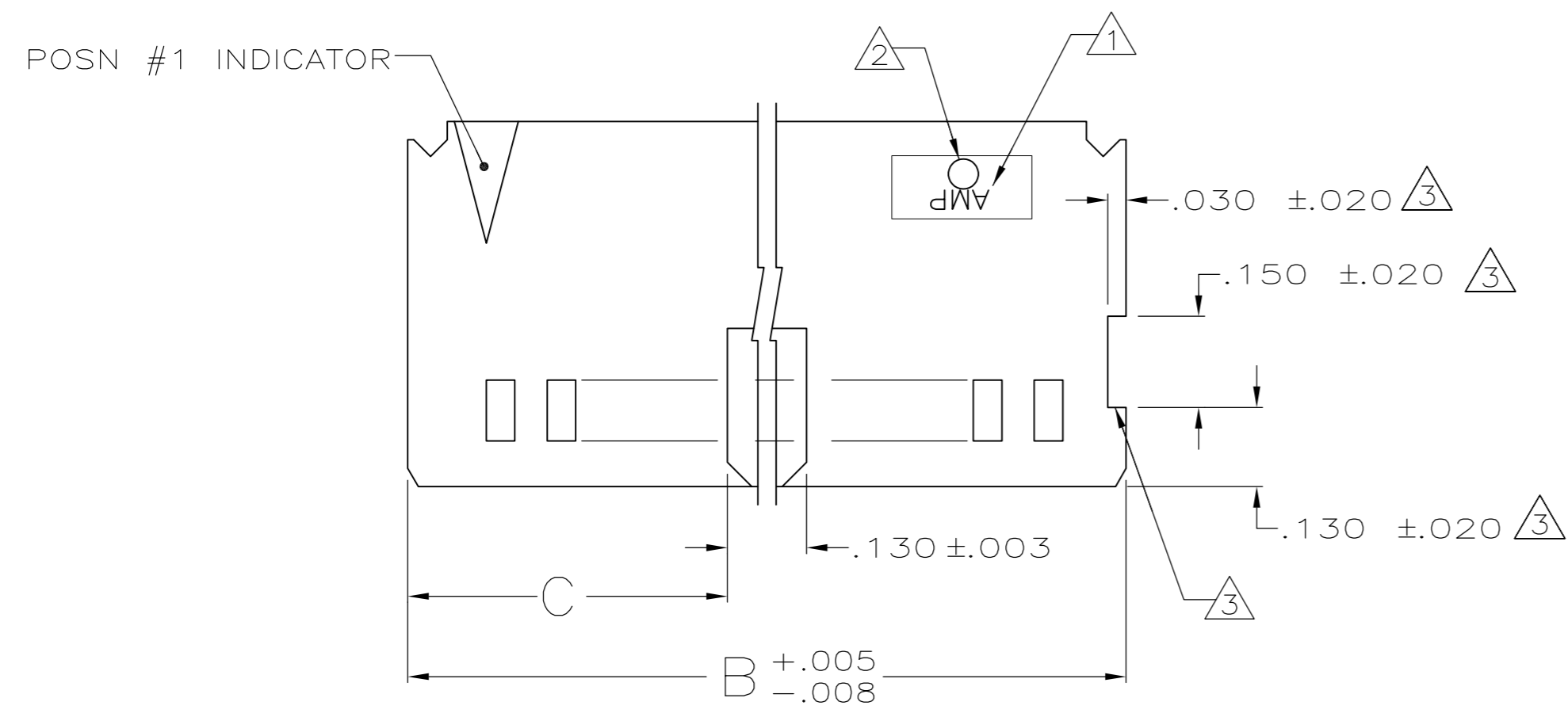
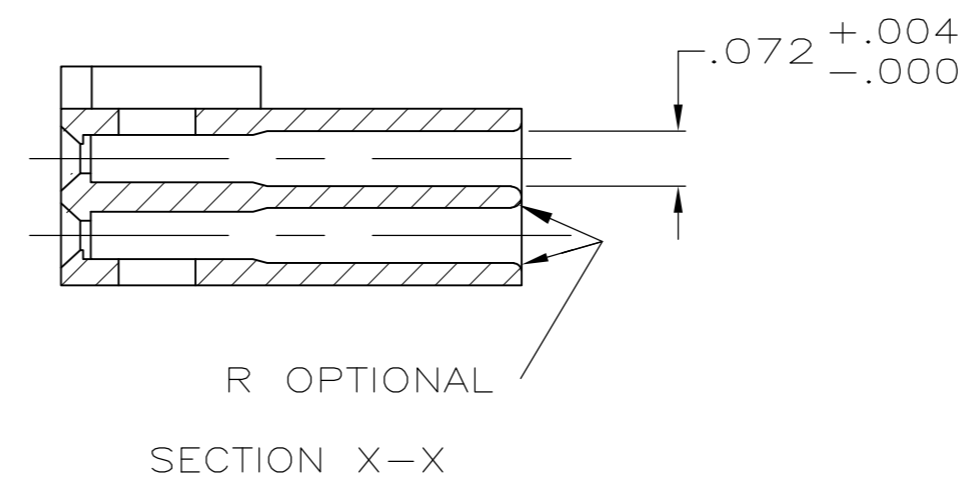
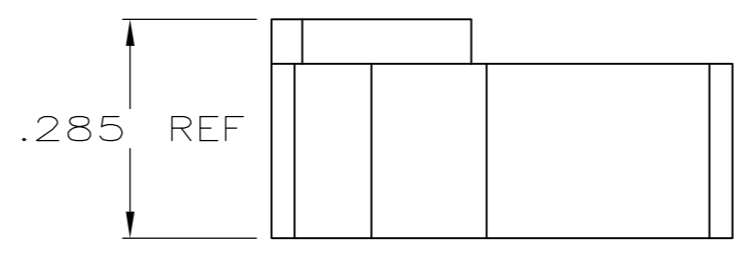
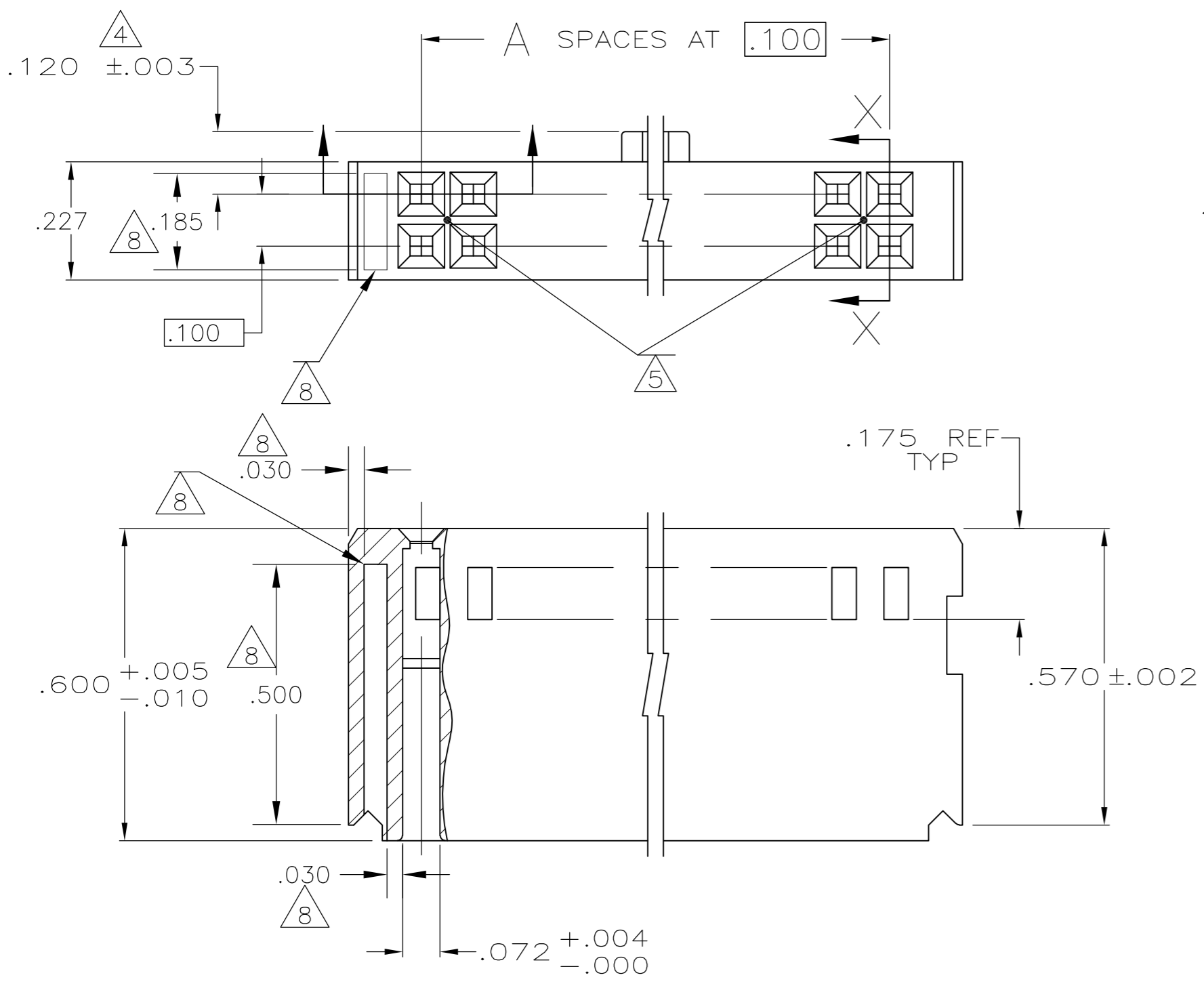


THIS DRAWING IS UNPUBLISHED. RELEASED FOR PUBLICATION  
 © COPYRIGHT - By - ALL RIGHTS RESERVED.

LOC		DIST		REVISIONS			
P	LTR	DESCRIPTION		DATE	DWN	APVD	
AD	39	S2	REVISED PER ECO-11-010839	25MAY11	RK	HMR	



- 1 AMP TRADEMARK (MOLDED IN) .062±.015 HIGH CHARACTERS LOCATED APPROX AS SHOWN
- 2 MOLD CAVITY IDENT (MOLDED IN) .046±.015 HIGH CHARACTERS LOCATED APPROX AS SHOWN
- 3 RECESSED AREA AROUND MOLD GATE IS OPTIONAL. THIS FEATURE IS ALLOWABLE ON EITHER SIDE OF HOUSING OR MAY NOT BE PRESENT AT ALL.
- 4 COORDINATE DIMENSION APPLIES FROM CENTER OF FIRST ACTUAL FEATURE
- 5 RECESSED AREA AROUND GATE PERMISSIBLE. THIS FEATURE IS ALONG CENTERLINE OF MATING FACE.
- 6. WHEN MATING WITH AMP-LATCH UNIVERSAL HEADERS, P/N 1825851-1 MUST BE USED. PURCHASE SEPARATELY WITH HEADER- 2 REQUIRED.
- 7 OBSOLETE PARTS: OBSOLETE CIS STREAMLINING PER D.RENAUD/D.SINISI
- 8 VOID CORING IS OPTIONAL, AT MOLDER'S DISCRETION.



SIZE	CAGE CODE	DRAWING NO	RESTRICTED TO
A2	00779	C=102387	-

OBSOLETE	C	B	A	NO. OF POSN	PART NO.
7	.575	1.280	10	22	4-102387-5
	.225	.580	3	8	1-102387-4
	1.125	2.380	21	44	1-102387-3
	1.625	3.380	31	64	1-102387-2
	1.525	3.180	29	60	1-102387-1
	1.275	2.680	24	50	1-102387-0
	1.025	2.180	19	40	102387-9
	.875	1.880	16	34	102387-8
	.775	1.680	14	30	102387-7
	.675	1.480	12	26	102387-6
	.625	1.380	11	24	102387-5
	.525	1.180	9	20	102387-4
	.425	.980	7	16	102387-3
	.375	.880	6	14	102387-2
	.275	.680	4	10	102387-1

THIS DRAWING IS A CONTROLLED DOCUMENT.

DWN B MOYER 5-17-89  
 CHK K. HELM 6-13-89

DIMENSIONS: INCHES  
 TOLERANCES UNLESS OTHERWISE SPECIFIED:  
 0 PLC ± -  
 1 PLC ± -  
 2 PLC ± -  
 3 PLC ± .005  
 4 PLC ± -  
 ANGLES ± -  
 FINISH -

MATERIAL: FLAME RETARDANT THERMOPLASTIC COLOR: BLACK PER ASTM D4066

TE Connectivity  
 HOUSING, CRIMP SNAP-IN, SHORT ENTRY, MOD IV

SCALE: 4:1 SHEET: 1 of 1 REV: S2

## X-ON Electronics

Largest Supplier of Electrical and Electronic Components

*Click to view similar products for [Headers & Wire Housings](#) category:*

*Click to view products by [TE Connectivity](#) manufacturer:*

Other Similar products are found below :

[892-18-020-10-001101](#) [58102-G61-06LF](#) [582553-1](#) [0009485154](#) [009176003701906](#) [0050291907](#) [LY20-4P-DT1-P1E-BR](#) [02.125.8002.8](#)  
[609-3404](#) [61062-3](#) [61082-181009](#) [622-3653LF](#) [63453-116](#) [636-1030](#) [636-1427](#) [636-3427](#) [636-4007](#) [641938-9](#) [641991-4](#) [644827-2](#) [65817-010LF](#) [65817-015LF](#) [65863-015LF](#) [66207-023LF](#) [67095-007LF](#) [67601157](#) [68645-018](#) [68648-049](#) [70.362.1628.0](#) [70-4210](#) [70-4226B](#) [70-4853B](#) [707-5020](#) [707-5028](#) [71.350.2428.0](#) [71918-208LF](#) [71961-016LF](#) [733-134](#) [733-162](#) [754199-000](#) [760-3052](#) [787-8014-00](#) [79531-3000](#)  
[FCN-360C032-B](#) [FCN-367T-T012/H](#) [FCN-723D010/2](#) [80.063.4001.1](#) [800-90-001-10-001000](#) [800-90-010-10-002000](#) [801-43-002-10-013000](#)