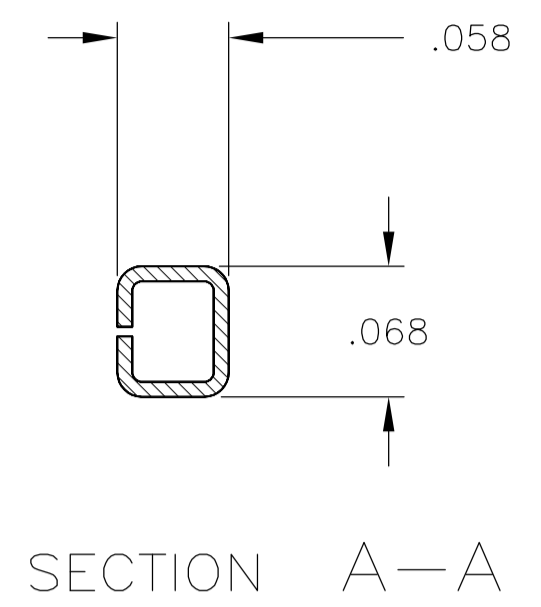
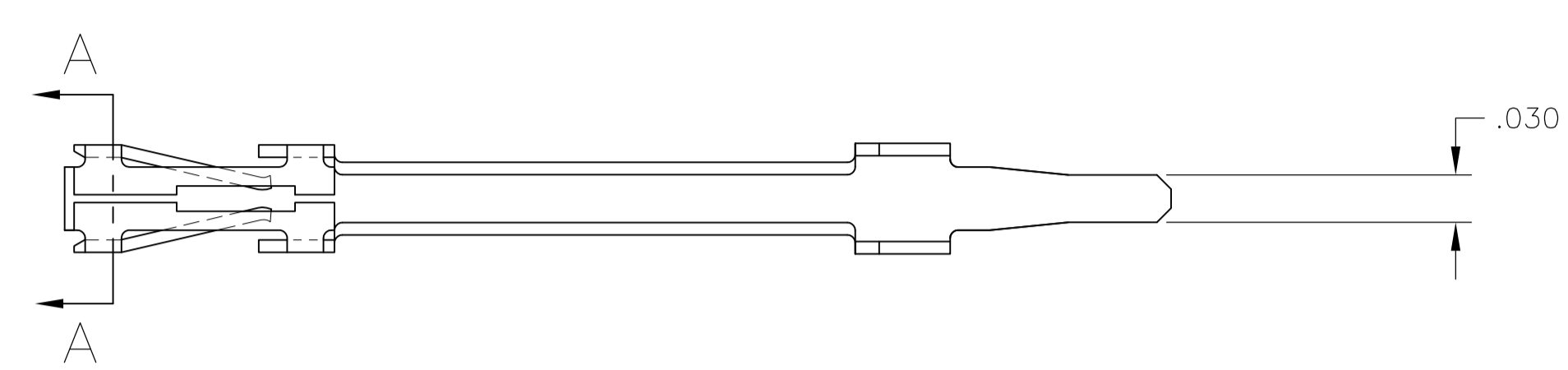
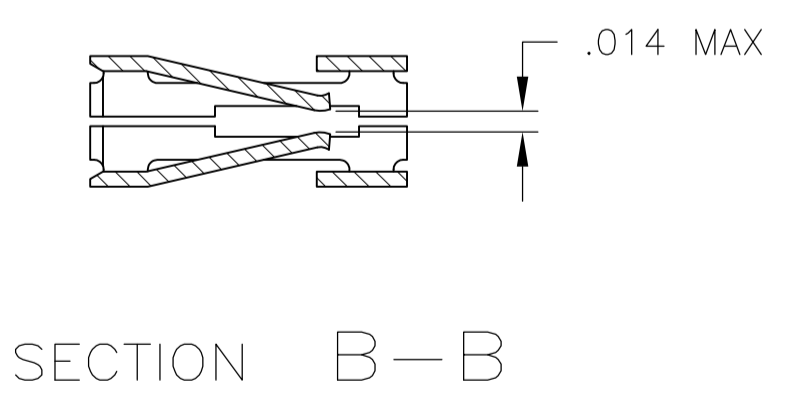
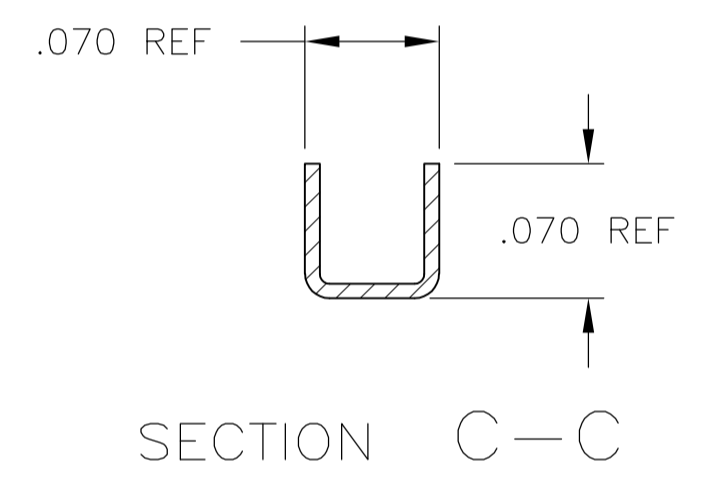
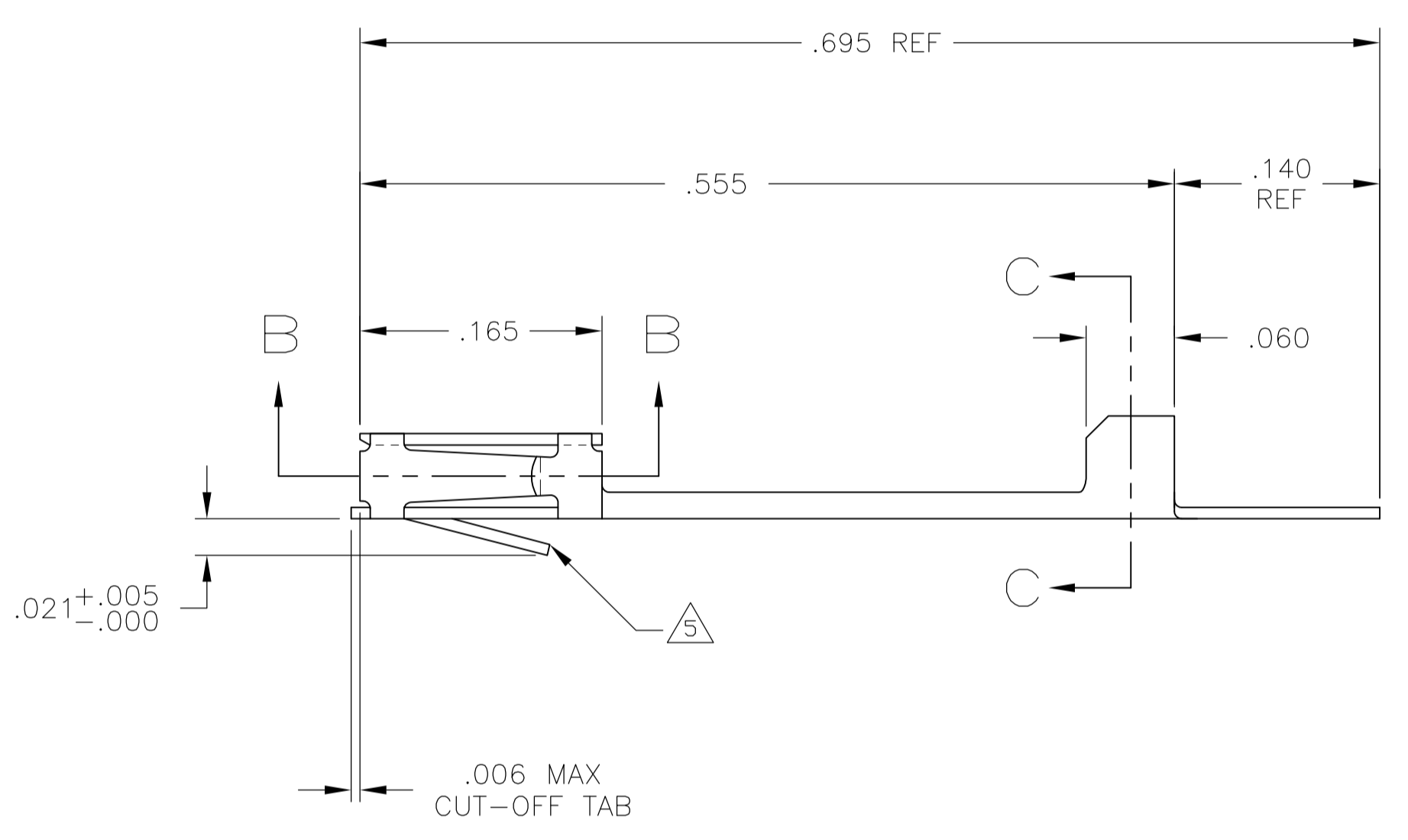


LOC	DIST	REVISIONS			
P	LTR	DESCRIPTION	DATE	DMN	APVD
D1	ECO-06-002583		19APR2006	RB	JO
D2	REVISED PER ECO-09-020774		25AUG09	KK	AEG



- 1 GOLD FLASH ENTIRE RECEPTACLE END, .000015 GOLD IN CONTACT AREA, .000100-.000200 BRIGHT TIN-LEAD ON P.C. TINE, ALL OVER .000050-.000100 NICKEL.
- 2 PRE-PLATED (HALT) .000080-.000160 TIN.
- 3 GOLD FLASH ENTIRE RECEPTACLE END, .000030 GOLD IN CONTACT AREA, .000100-.000200 BRIGHT TIN ON P.C. TINE, ALL OVER .000050-.000100 NICKEL.
- 4 GOLD FLASH ENTIRE RECEPTACLE END, .000050 GOLD IN CONTACT AREA, .000100-.000200 BRIGHT TIN-LEAD ON P.C. TINE, ALL OVER .000050-.000100 NICKEL.
- 5 GOLD FLASH ENTIRE RECEPTACLE END, .000015 GOLD IN CONTACT AREA, .000100-.000200 MATTE TIN ON LEAD, ALL OVER .000050-.000100 NICKEL.
- 6 GOLD FLASH ENTIRE RECEPTACLE END, .000030 GOLD IN CONTACT AREA, .000100-.000200 MATTE TIN ON LEAD, ALL OVER .000050-.000100 NICKEL.
- 7 ROHS 2002/95/EC COMPLIANT.
- 8 MATERIAL: Cu-Sn-P ALLOY #521, .008 THICK.
- 9 OBSOLETE PARTS: OBSOLETE CIS STREAMLINING PER D.RENAUD/D.SINISI



9/7	OBSOLETE	6	5-102437-3
9/7	OBSOLETE	5	5-102437-1
	OBSOLETE	4	102437-4
		3	102437-3
9	OBSOLETE	2	102437-2
		1	102437-1
		FINISH	PART NUMBER

THIS DRAWING IS A CONTROLLED DOCUMENT.

DIMENSIONS: INCHES	TOLERANCES UNLESS OTHERWISE SPECIFIED:	DIN R BROWN 19APR2006	APVD J OLSON 19APR2006	NAME Tyco Electronics Corporation Harrisburg, PA 17105-3608
0 PLC ± -	1 PLC ± -	2 PLC ± -	3 PLC ± .005	4 PLC ± -
ANGLES ± -				
MATERIAL 8	FINISH SEE TABLE	WEIGHT -	SIZE A1	CAGE CODE 00779
			DRAWING NO. 102437	RESTRICTED TO -
		CUSTOMER DRAWING	SCALE 10:1	SHEET 1 OF 1

X-ON Electronics

Largest Supplier of Electrical and Electronic Components

Click to view similar products for [Headers & Wire Housings](#) category:

Click to view products by [TE Connectivity](#) manufacturer:

Other Similar products are found below :

[892-18-020-10-001101](#) [58102-G61-06LF](#) [582553-1](#) [0009485154](#) [009176003701906](#) [0050291907](#) [LY20-4P-DT1-P1E-BR](#) [02.125.8002.8](#)
[609-3404](#) [61062-3](#) [61082-181009](#) [622-3653LF](#) [63453-116](#) [636-1030](#) [636-1427](#) [636-3427](#) [636-4007](#) [641938-9](#) [641991-4](#) [644827-2](#) [65817-](#)
[010LF](#) [65817-015LF](#) [65863-015LF](#) [66207-023LF](#) [67095-007LF](#) [67601157](#) [68645-018](#) [68648-049](#) [70.362.1628.0](#) [70-4210](#) [70-4226B](#) [70-](#)
[4853B](#) [707-5020](#) [707-5028](#) [71.350.2428.0](#) [71918-208LF](#) [71961-016LF](#) [733-134](#) [733-162](#) [754199-000](#) [760-3052](#) [787-8014-00](#) [79531-3000](#)
[FCN-360C032-B](#) [FCN-367T-T012/H](#) [FCN-723D010/2](#) [80.063.4001.1](#) [800-90-001-10-001000](#) [800-90-010-10-002000](#) [801-43-002-10-013000](#)