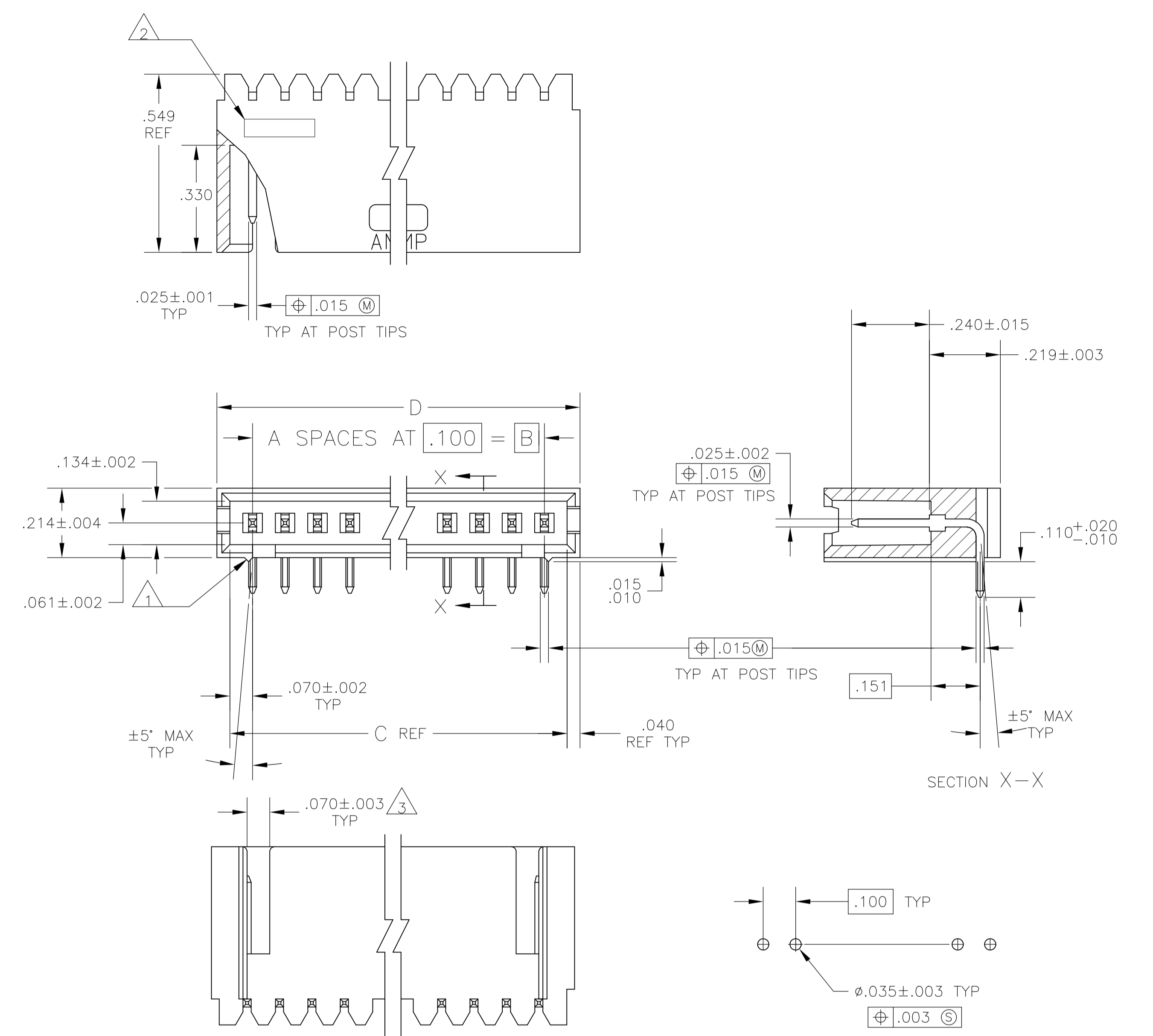


REVISIONS				
P	LTR	DESCRIPTION	DATE	APP'D
R3		PART STATUS UPDATED IN PART LIST TABLE	15FEB2018	SD PS



RECOMMENDED HOLE LAYOUT

- 1 STANDOFFS:  
3 THRU 9 POSN - (2 REQD) ON OUTSIDE ENDS OF HOUSING  
10 THRU 18 POSN - (3 REQD) TWO ON OUTSIDE ENDS AND ONE CENTERED ON HOUSING  
19 POSN AND LARGER - (4 REQD) TWO ON OUTSIDE ENDS AND TWO EVENLY SPACED WITHIN REMAINING LENGTH OF HOUSING
- 2 RECESSED DATE CODE
- 3 FOR 3 POSITION ONLY, ONE SLOT .215 WIDE.
- 4 .000100-.000200 BRIGHT TIN-LEAD OVER .000050 NICKEL.
- 5 .000100-.000200 BRIGHT TIN OVER .000050 NICKEL.
- 6 PRELIMINARY PART
- 7 .000100-.000200 MATTE TIN OVER .000050 NICKEL.
- 8 MATERIAL:  
HOUSING: FLAME RETARDANT THERMOPLASTIC, COLOR: BLACK  
POSTS: PHOS BRONZE
- 9 OBSOLETE PARTS: OBSOLETE CIS STREAMLINING PER D.RENAUD/D.SINISI

FINISH	D	C	B	A	NO. OF POSN	PART NO.
9	2.620	2.540	2.400	24	25	7-102523-3
7	2.520	2.440	2.300	23	24	7-102523-2
7	2.420	2.340	2.200	22	23	7-102523-1
7	2.320	2.240	2.100	21	22	7-102523-0
7	2.220	2.140	2.000	20	21	6-102523-9
7	2.120	2.040	1.900	19	20	6-102523-8
7	2.020	1.940	1.800	18	19	6-102523-7
7	1.920	1.840	1.700	17	18	6-102523-6
7	1.820	1.740	1.600	16	17	6-102523-5
7	1.720	1.640	1.500	15	16	6-102523-4
9	1.620	1.540	1.400	14	15	6-102523-3
9	1.520	1.440	1.300	13	14	6-102523-2
9	1.420	1.340	1.200	12	13	6-102523-1
9	1.320	1.240	1.100	11	12	6-102523-0
9	1.220	1.140	1.000	10	11	5-102523-9
9	1.120	1.040	.900	9	10	5-102523-8
9	1.020	.940	.800	8	9	5-102523-7
7	.920	.840	.700	7	8	5-102523-6
7	.820	.740	.600	6	7	5-102523-5
7	.720	.640	.500	5	6	5-102523-4
7	.620	.540	.400	4	5	5-102523-3
7	.420	.340	.200	2	3	5-102523-2
7	.520	.440	.300	3	4	5-102523-1
6	1.120	1.040	.900	9	10	3-102523-7
5	.920	.840	.700	7	8	3-102523-6
5	.520	.440	.300	3	4	3-102523-5
4	3.720	3.640	3.500	35	36	3-102523-4
4	3.620	3.540	3.400	34	35	3-102523-3
4	3.520	3.440	3.300	33	34	3-102523-2
4	3.420	3.340	3.200	32	33	3-102523-1
4	3.320	3.240	3.100	31	32	3-102523-0
4	3.220	3.140	3.000	30	31	2-102523-9
4	3.120	3.040	2.900	29	30	2-102523-8
4	3.020	2.940	2.800	28	29	2-102523-7
4	2.920	2.840	2.700	27	28	2-102523-6
4	2.820	2.740	2.600	26	27	2-102523-5
4	2.720	2.640	2.500	25	26	2-102523-4
4	2.620	2.540	2.400	24	25	2-102523-3
4	2.520	2.440	2.300	23	24	2-102523-2
4	2.420	2.340	2.200	22	23	2-102523-1
4	2.320	2.240	2.100	21	22	2-102523-0
4	2.220	2.140	2.000	20	21	1-102523-9
4	2.120	2.040	1.900	19	20	1-102523-8
4	2.020	1.940	1.800	18	19	1-102523-7
4	1.920	1.840	1.700	17	18	1-102523-6
4	1.820	1.740	1.600	16	17	1-102523-5
4	1.720	1.640	1.500	15	16	1-102523-4
9	1.620	1.540	1.400	14	15	1-102523-3
9	1.520	1.440	1.300	13	14	1-102523-2
9	1.420	1.340	1.200	12	13	1-102523-1
9	1.320	1.240	1.100	11	12	1-102523-0
9	1.220	1.140	1.000	10	11	1-102523-9
9	1.120	1.040	.900	9	10	102523-8
9	1.020	.940	.800	8	9	102523-7
4	.920	.840	.700	7	8	102523-6
4	.820	.740	.600	6	7	102523-5
4	.720	.640	.500	5	6	102523-4
4	.620	.540	.400	4	5	102523-3
4	.420	.340	.200	2	3	102523-2
4	.520	.440	.300	3	4	102523-1

SUP BY 6-102523-4

THIS DRAWING IS A CONTROLLED DOCUMENT. DWN S.A. SHUEY 28SEP89  
DW H. MOLL 30CT89  
APVD R. FLICKER 30CT89

**STE** TE Connectivity

PRODUCT SPEC: HEADER ASSEMBLY MOD II, SINGLE ROW .100 C/L, RIGHT ANGLE

APPLICATION SPEC: -

SIZE: A1 CAGE CODE: 00779 DRAWING NO: 102523

RESTRICTED TO: -

MATERIAL: FINISH: SEE TABLE WEIGHT: -

CUSTOMER DRAWING SCALE: 4:1 SHEET: 1 OF 1 REV: R3

## X-ON Electronics

Largest Supplier of Electrical and Electronic Components

*Click to view similar products for te connectivity manufacturer:*

Other Similar products are found below :

[570416-000](#) [CLTEQ-M81CE-SSRELAY-4-20V](#) [D38999/24FJ4AN](#) [358838-000](#) [4-1195131-0](#) [650069-000](#) [SMD100-2](#) [CB-1022B-78](#)  
[RM707012](#) [RP410012](#) [MMS42](#) [1-640426-8](#) [2EDL4CM](#) [DTS20W19-11PD-3028-LC](#) [RM202615](#) [NC6-P104-06](#) [MSPS103B](#) [DTS26F21-41AE](#) [DTS26F21-41PE-LC](#) [DTS26F21-11SE-3028-LC](#) [1932144-1](#) [293545-4](#) [LVR125S](#) [MS27466T25F4PB](#) [CKB-38-78010](#)  
[1206SFF150F/63-2](#) [D38999/20JB35HA](#) [D38999/24WJ20PA](#) [1754138-1](#) [TE1500A2R2J](#) [DTS24F25-29PC-3028-LC](#) [D38999/24WG11HA](#)  
[D38999/24WG11HN](#) [MS27467T21F11H](#) [DJT16E21-11HA](#) [1206SFH150F/24-2](#) [DTS24F19-11SC-3028-LC](#) [DTS24F21-41HN-LC](#)  
[DTS24F21-41AN](#) [DTS24F21-41PN-LC](#) [MS27467T21F35J](#) [MS27467T21F11J](#) [MS27467T21F16H-LC](#) [MS27467T21F35H](#)  
[MS27467T21F41H-LC](#) [DJT16E21-11PA-LC](#) [DJT16E21-11HA-LC](#) [DJT16E21-11AA](#) [MS27467T21B11JA](#) [DJT16E21-11JA](#)