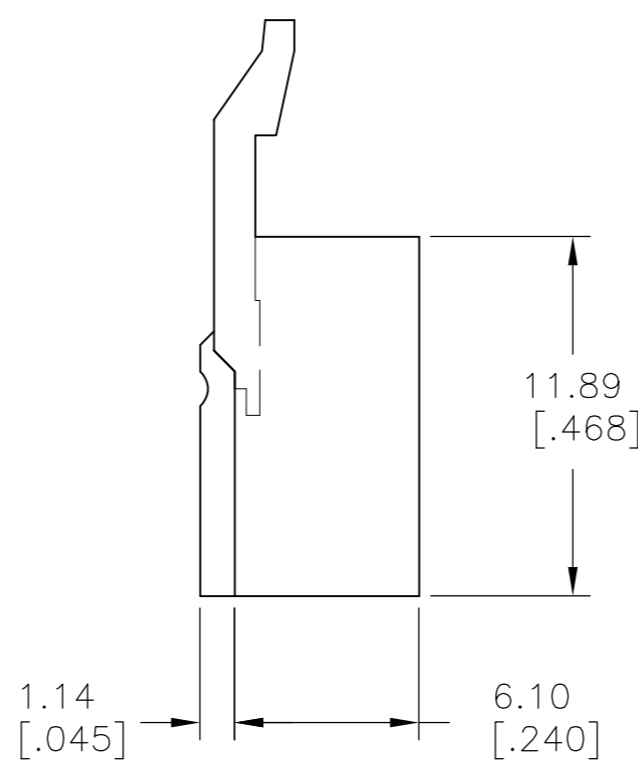
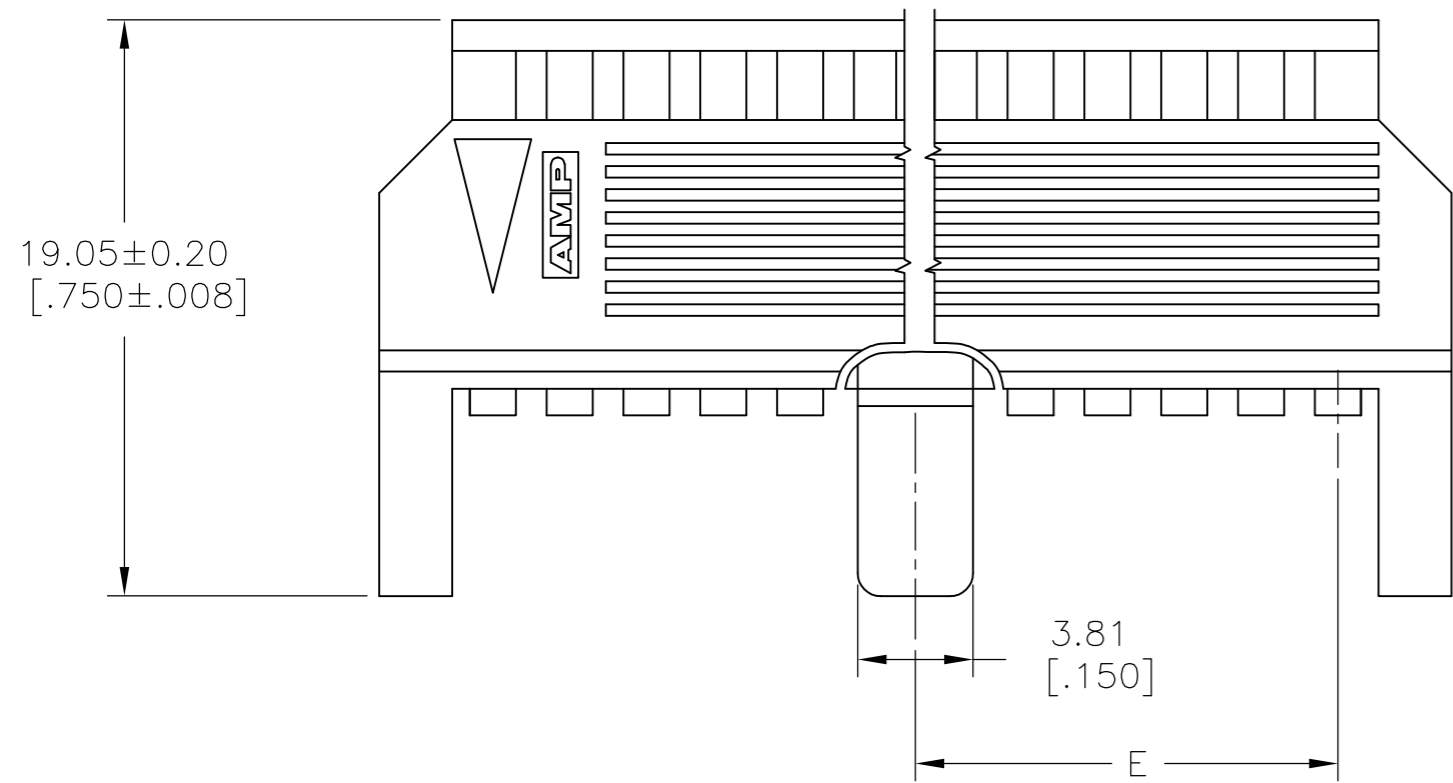
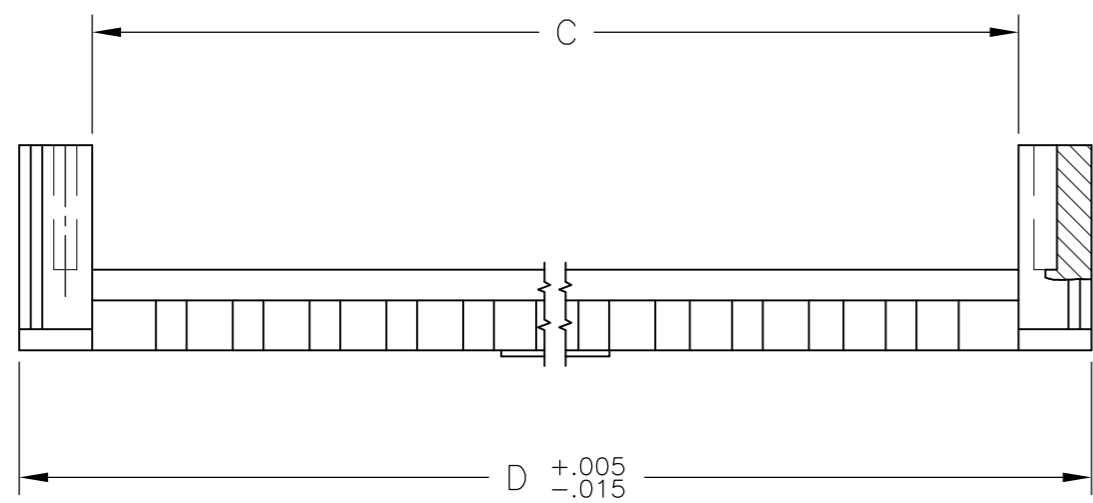
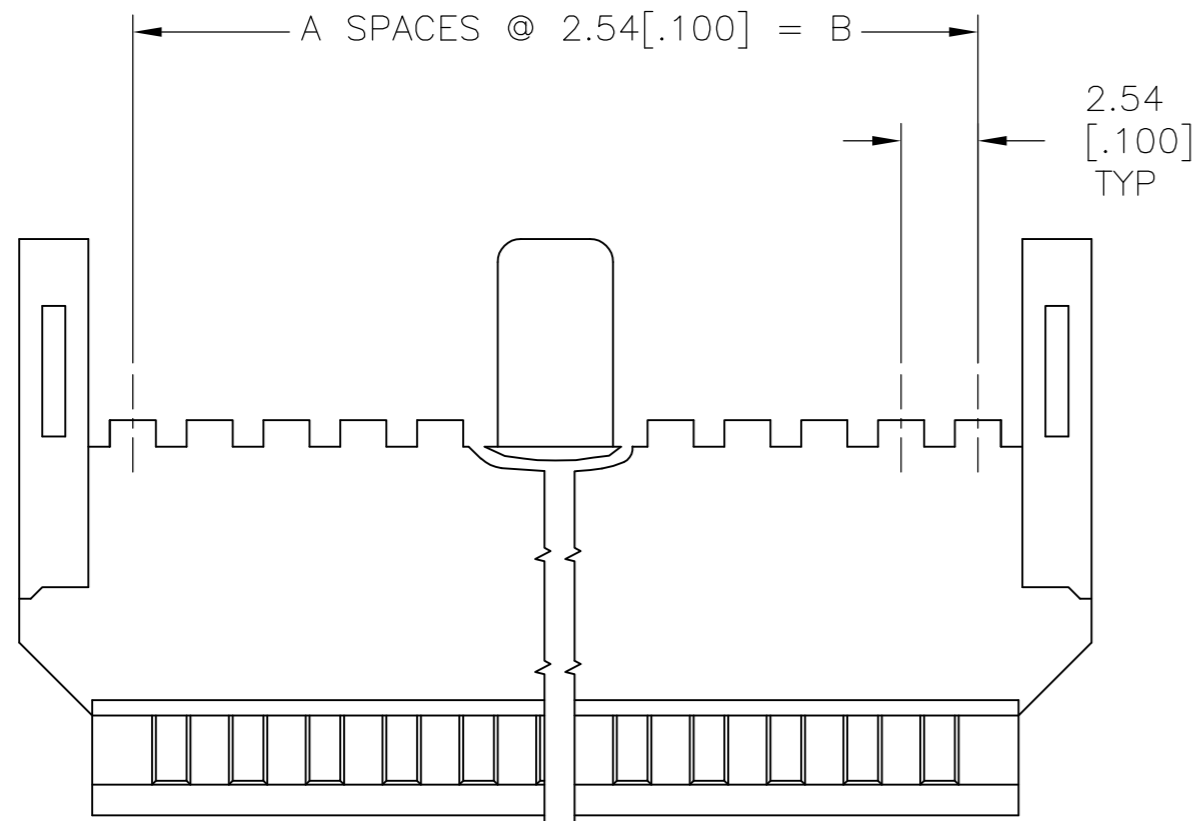


THIS DRAWING IS UNPUBLISHED. RELEASED FOR PUBLICATION
 © COPYRIGHT - By - ALL RIGHTS RESERVED.

LOC		DIST		REVISIONS			
P	LTR	DESCRIPTION		DATE	DWN	APVD	
AD	39	J		REVISED PER ECO-15-008006	17NOV2015	NK	MM



- 1 NO. OF POSITIONS INDICATED PERTAINS TO THE HOUSING.
- 2 THIS COVER IS TO BE USED WITH 102536.
- 3 NO CENTER PART ON THIS PART.
- 4 OBSOLETE PART NUMBER.
- 5 MATERIAL: FLAME RETARDANT THERMOPLASTIC, COLOR-BLACK.

44.45 [1.750]	96.42 [3.796]	91.59 [3.606]	88.90 [3.500]	35	72	4	3	102537	4
43.18 [1.700]	93.88 [3.696]	89.05 [3.506]	86.36 [3.400]	34	70	4	3	102537	3
41.91 [1.650]	91.34 [3.596]	86.51 [3.406]	83.82 [3.300]	33	68	4	3	102537	2
40.64 [1.600]	88.79 [3.496]	83.97 [3.306]	81.28 [3.200]	32	66	4	3	102537	1
39.37 [1.550]	86.26 [3.396]	81.43 [3.206]	78.74 [3.100]	31	64		3	102537	0
38.10 [1.500]	83.72 [3.296]	78.89 [3.106]	76.20 [3.000]	30	62	4	2	102537	9
36.83 [1.450]	81.18 [3.196]	76.35 [3.006]	73.66 [2.900]	29	60		2	102537	8
35.56 [1.400]	78.63 [3.096]	78.81 [2.906]	71.12 [2.800]	28	58	4	2	102537	7
34.29 [1.350]	76.09 [2.996]	71.27 [2.806]	68.58 [2.700]	27	56	4	2	102537	6
33.02 [1.300]	73.55 [2.896]	68.73 [2.706]	66.04 [2.600]	26	54	4	2	102537	5
31.75 [1.250]	71.01 [2.796]	66.19 [2.606]	63.50 [2.500]	25	52	4	2	102537	4
30.48 [1.200]	68.48 [2.696]	63.65 [2.506]	60.96 [2.400]	24	50		2	102537	3
29.91 [1.150]	65.94 [2.596]	61.11 [2.406]	58.42 [2.300]	23	48	4	2	102537	2
27.94 [1.100]	63.39 [2.496]	58.57 [2.306]	55.88 [2.200]	22	46	4	2	102537	1
26.67 [1.050]	60.85 [2.396]	56.03 [2.206]	53.34 [2.100]	21	44	4	2	102537	0
25.40 [1.000]	58.31 [2.296]	53.49 [2.106]	50.80 [2.000]	20	42	4	1	102537	9
24.13 [.950]	55.78 [2.196]	50.95 [2.006]	48.26 [1.900]	19	40		1	102537	8
22.86 [.900]	53.24 [2.096]	48.41 [1.906]	45.72 [1.800]	18	38	4	1	102537	7
21.59 [.850]	50.69 [1.996]	45.87 [1.806]	43.18 [1.700]	17	36	4	1	102537	6
20.32 [.800]	48.15 [1.896]	43.33 [1.706]	40.64 [1.600]	16	34		1	102537	5
19.05 [.750]	45.62 [1.796]	40.79 [1.606]	38.10 [1.500]	15	32		1	102537	4
17.78 [.700]	43.07 [1.696]	38.25 [1.506]	35.56 [1.400]	14	30		1	102537	3
16.51 [.650]	40.53 [1.596]	35.71 [1.406]	33.02 [1.300]	13	28		1	102537	2
15.24 [.600]	37.99 [1.496]	33.17 [1.306]	30.48 [1.200]	12	26		1	102537	1
13.97 [.550]	35.45 [1.396]	30.63 [1.206]	27.94 [1.100]	11	24		1	102537	0
12.70 [.500]	32.92 [1.296]	28.09 [1.106]	25.40 [1.000]	10	22			102537	9
11.43 [.450]	30.38 [1.196]	25.55 [1.006]	22.86 [.900]	9	20			102537	8
10.16 [.400]	27.84 [1.096]	23.01 [.906]	20.32 [.800]	8	18			102537	7
8.89 [.350]	25.29 [.996]	20.47 [.806]	17.78 [.700]	7	16			102537	6
7.62 [.300]	22.76 [.896]	17.93 [.706]	15.24 [.600]	6	14			102537	5
6.35 [.250]	20.22 [.796]	15.39 [.606]	12.70 [.500]	5	12			102537	4
5.08 [.200]	17.68 [.696]	12.85 [.506]	10.16 [.400]	4	10			102537	3
3	15.14 [.596]	10.31 [.406]	7.62 [.300]	3	8			102537	2
3	12.59 [.496]	7.77 [.306]	5.08 [.200]	2	6			102537	1
E	D	C	B	A	REF. 1	NO OF POSN	PART NUMBER		

COVER DIMENSIONS

THIS DRAWING IS A CONTROLLED DOCUMENT.		DWN	06MAR09	RAGHAVENDRA	
DIMENSIONS:		CHK	06MAR09	JEFFREY GESFORD	
mm [INCHES]		APVD	06MAR09	JEFFREY GESFORD	
TOLERANCES UNLESS OTHERWISE SPECIFIED:		PRODUCT SPEC			
0 PLC ± -		APPLICATION SPEC			
1 PLC ± -		WEIGHT			
2 PLC ± -		CUSTOMER DRAWING			
3 PLC ± 0.13 [.005]		SCALE		4:1	
4 PLC ± -		SHEET		1 OF 1	
ANGLES ± -		REV		J	
FINISH		MATERIAL		5	

TE Connectivity

COVER - HALF, LOW PROFILE
 MASS TERMINATION AMPMODU,
 .100CL, CENTER BAR POLARIZATION

RESTRICTED TO

X-ON Electronics

Largest Supplier of Electrical and Electronic Components

Click to view similar products for [Headers & Wire Housings](#) category:

Click to view products by [TE Connectivity](#) manufacturer:

Other Similar products are found below :

[892-18-020-10-001101](#) [58102-G61-06LF](#) [582553-1](#) [0009485154](#) [009176003701906](#) [0050291907](#) [LY20-4P-DT1-P1E-BR](#) [02.125.8002.8](#)
[609-3404](#) [61062-3](#) [61082-181009](#) [622-3653LF](#) [63453-116](#) [636-1030](#) [636-1427](#) [636-3427](#) [636-4007](#) [641938-9](#) [641991-4](#) [644827-2](#) [65817-](#)
[010LF](#) [65817-015LF](#) [65863-015LF](#) [66207-023LF](#) [67095-007LF](#) [67601157](#) [68645-018](#) [68648-049](#) [70.362.1628.0](#) [70-4210](#) [70-4226B](#) [70-](#)
[4853B](#) [707-5020](#) [707-5028](#) [71.350.2428.0](#) [71918-208LF](#) [71961-016LF](#) [733-134](#) [733-162](#) [754199-000](#) [760-3052](#) [787-8014-00](#) [79531-3000](#)
[FCN-360C032-B](#) [FCN-367T-T012/H](#) [FCN-723D010/2](#) [80.063.4001.1](#) [800-90-001-10-001000](#) [800-90-010-10-002000](#) [801-43-002-10-013000](#)