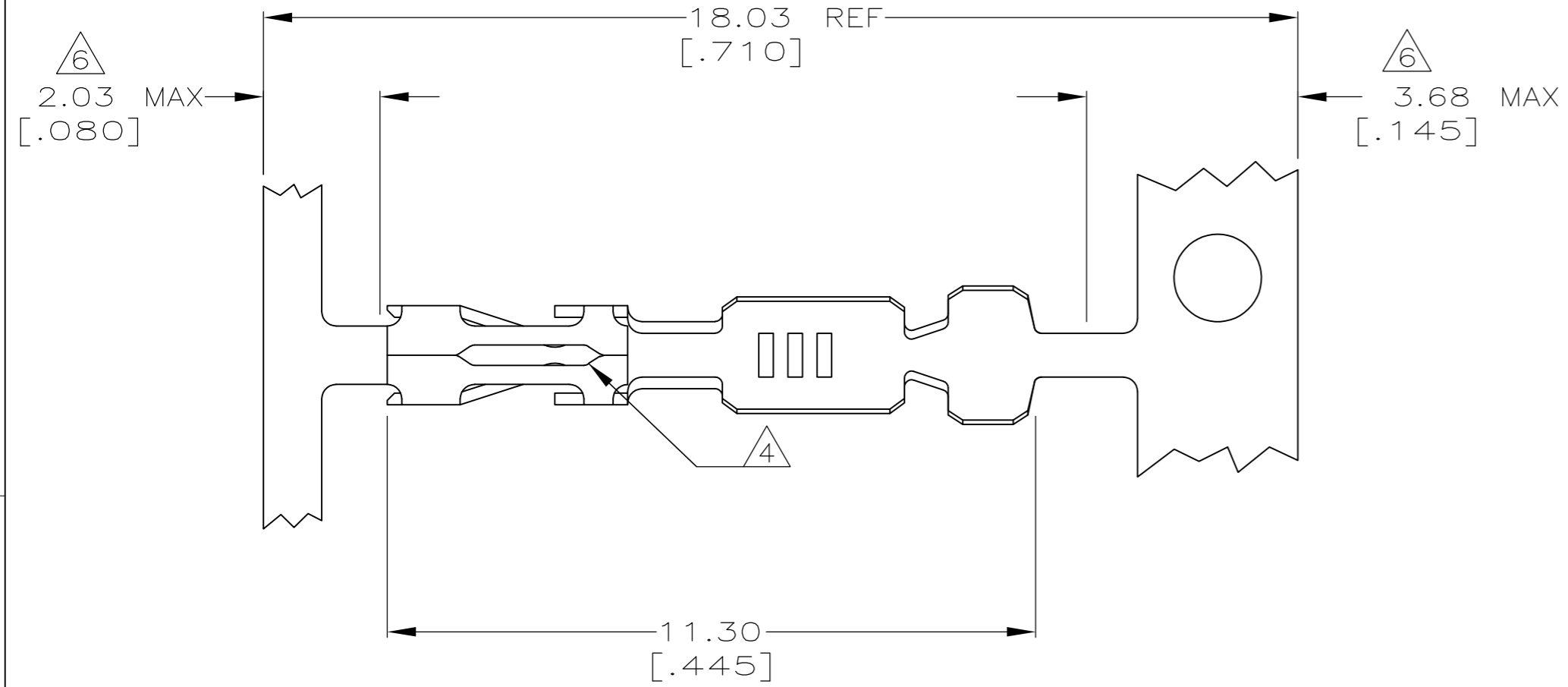
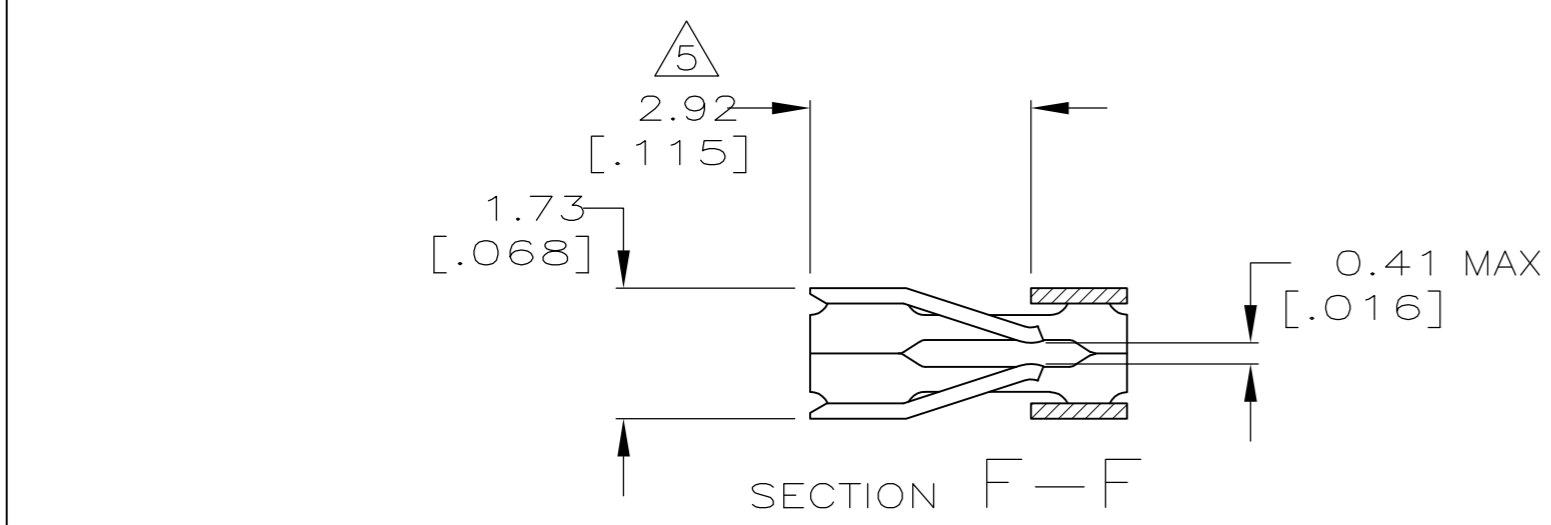
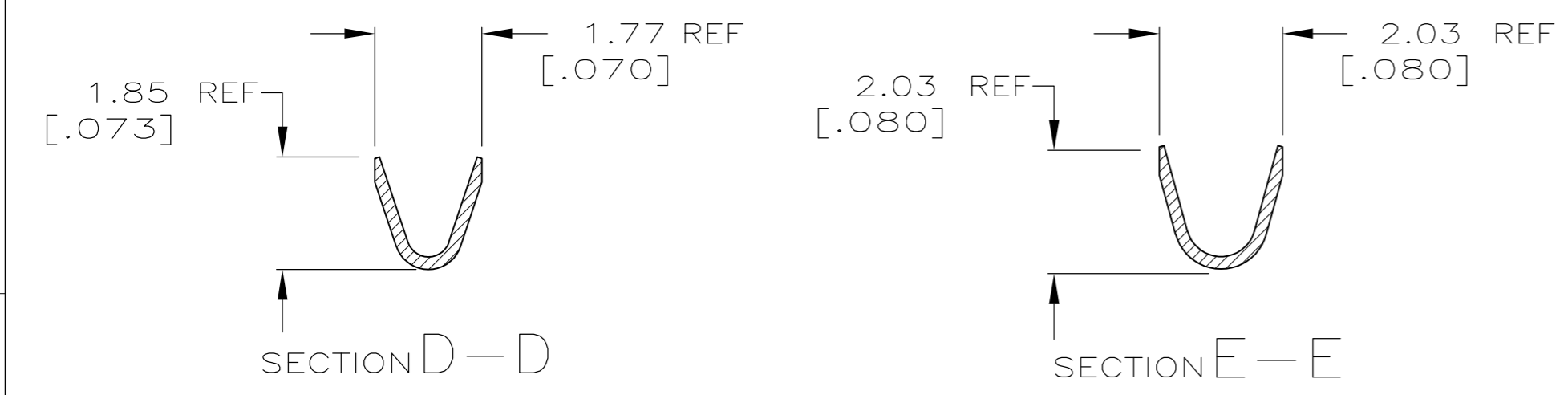
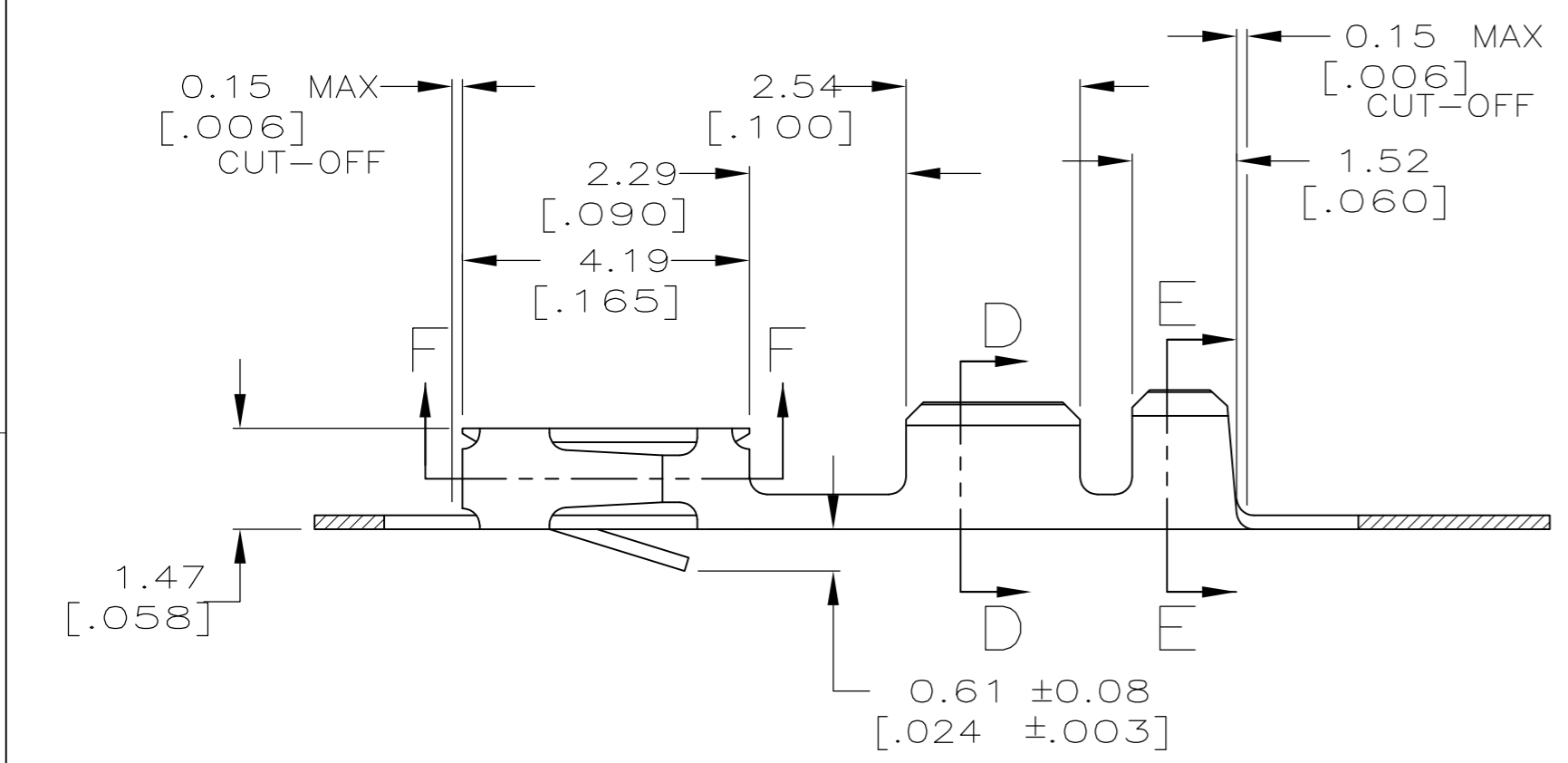


THIS DRAWING IS UNPUBLISHED. RELEASED FOR PUBLICATION
 © COPYRIGHT - By - ALL RIGHTS RESERVED.

LOC		DIST		REVISIONS			
P	LTR	DESCRIPTION	DATE	DWN	APVD		
AD	39						
	K	REVISED PER ECO-15-004633	30MAY2015	NK	JO		



- ① REELED FOR MINI APPLICATOR.
- ② FINISH: GOLD FLASH OVER 0.00127[.000050] NICKEL, 0.000381[.000015] GOLD IN CONTACT AREA.
- ③ FINISH: GOLD FLASH OVER 0.00127[.000050] NICKEL, 0.00076[.000030] GOLD IN CONTACT AREA.
- ④ CUT OUTS ON BOX AT MANUFACTURERS OPTION.
- ⑤ POINT OF MEASUREMENT FOR PLATING THICKNESS(INSIDE BEAMS).
- ⑥ GOLD PLATING NOT REQUIRED IN THIS AREA.
- 7 WIRE RANGE #22-#26, INSULATION RANGE ϕ .061 MAX.



DESCRIPTION	FINISH	PART NUMBER
LOOSE PC.	③	102548-6
①	③	102548-5
LOOSE PC.	②	102548-3
①	②	102548-1

THIS DRAWING IS A CONTROLLED DOCUMENT.		DWN S. SHUEY 5-6-92	TE TE Connectivity	
DIMENSIONS: mm [INCHES]		CHK J.GESFORD 5-20-92		
TOLERANCES UNLESS OTHERWISE SPECIFIED:		APVD -	NAME	
0 PLC	± -	PRODUCT SPEC	CONTACT, CRIMP SNAP-IN, MOD IV 1/2	
1 PLC	± -	APPLICATION SPEC	-	
2 PLC	± 0.13[.005]		SIZE	CAGE CODE
3 PLC	± -		A2	00779
4 PLC	± -		DRAWING NO	RESTRICTED TO
ANGLES	± -		C=102548	-
MATERIAL CU-NI-SI	FINISH SEE TABLE	WEIGHT -	SCALE	SHEET
		CUSTOMER DRAWING	10:1	1 of 1
			REV	K

X-ON Electronics

Largest Supplier of Electrical and Electronic Components

Click to view similar products for [Headers & Wire Housings](#) category:

Click to view products by [TE Connectivity](#) manufacturer:

Other Similar products are found below :

[892-18-020-10-001101](#) [58102-G61-06LF](#) [582553-1](#) [0009485154](#) [009176003701906](#) [0050291907](#) [LY20-4P-DT1-P1E-BR](#) [02.125.8002.8](#)
[609-3404](#) [61062-3](#) [61082-181009](#) [622-3653LF](#) [63453-116](#) [636-1030](#) [636-1427](#) [636-3427](#) [636-4007](#) [641938-9](#) [641991-4](#) [644827-2](#) [65817-](#)
[010LF](#) [65817-015LF](#) [65863-015LF](#) [66207-023LF](#) [67095-007LF](#) [67601157](#) [68645-018](#) [68648-049](#) [70.362.1628.0](#) [70-4210](#) [70-4226B](#) [70-](#)
[4853B](#) [707-5020](#) [707-5028](#) [71.350.2428.0](#) [71918-208LF](#) [71961-016LF](#) [733-134](#) [733-162](#) [754199-000](#) [760-3052](#) [787-8014-00](#) [79531-3000](#)
[FCN-360C032-B](#) [FCN-367T-T012/H](#) [FCN-723D010/2](#) [80.063.4001.1](#) [800-90-001-10-001000](#) [800-90-010-10-002000](#) [801-43-002-10-013000](#)