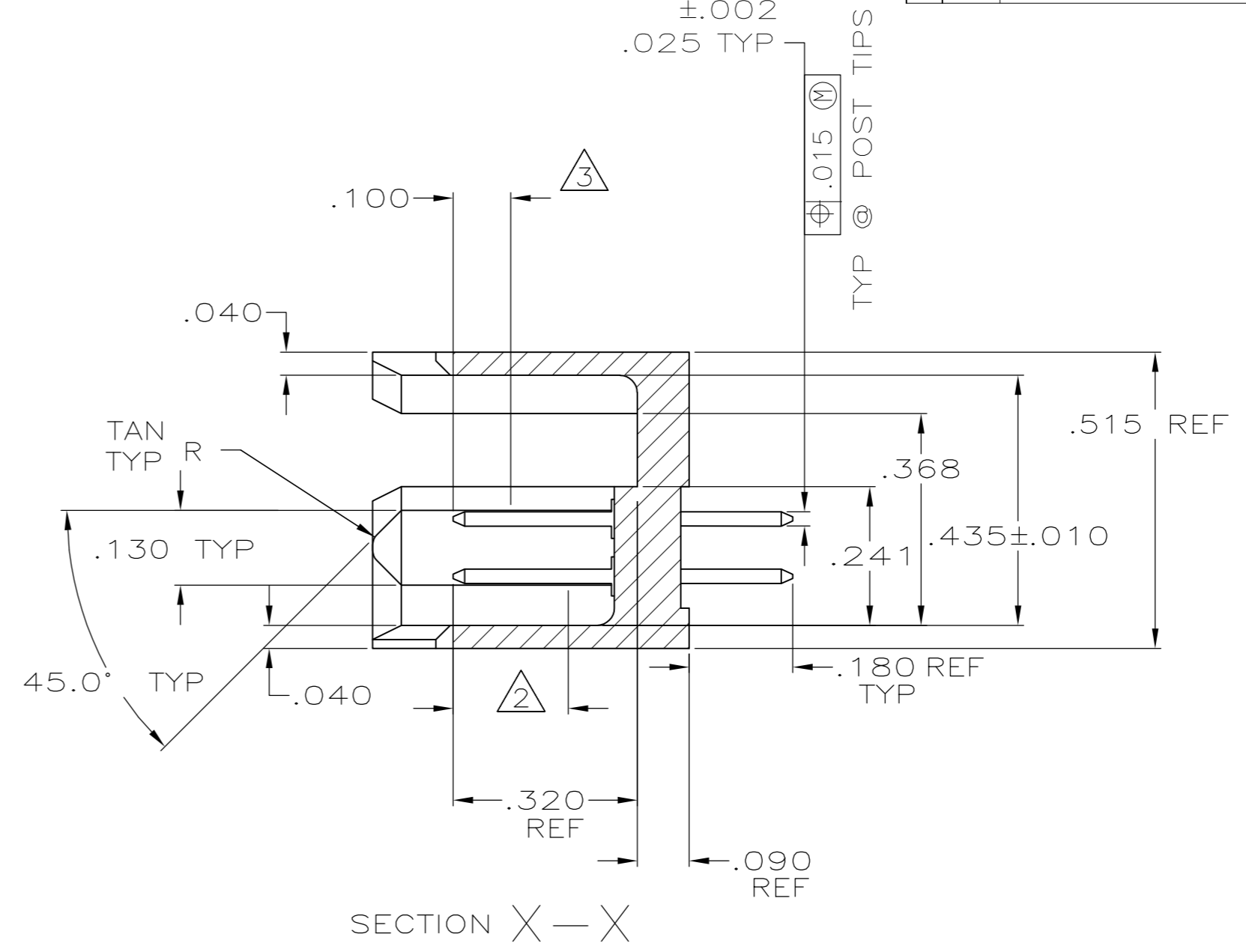
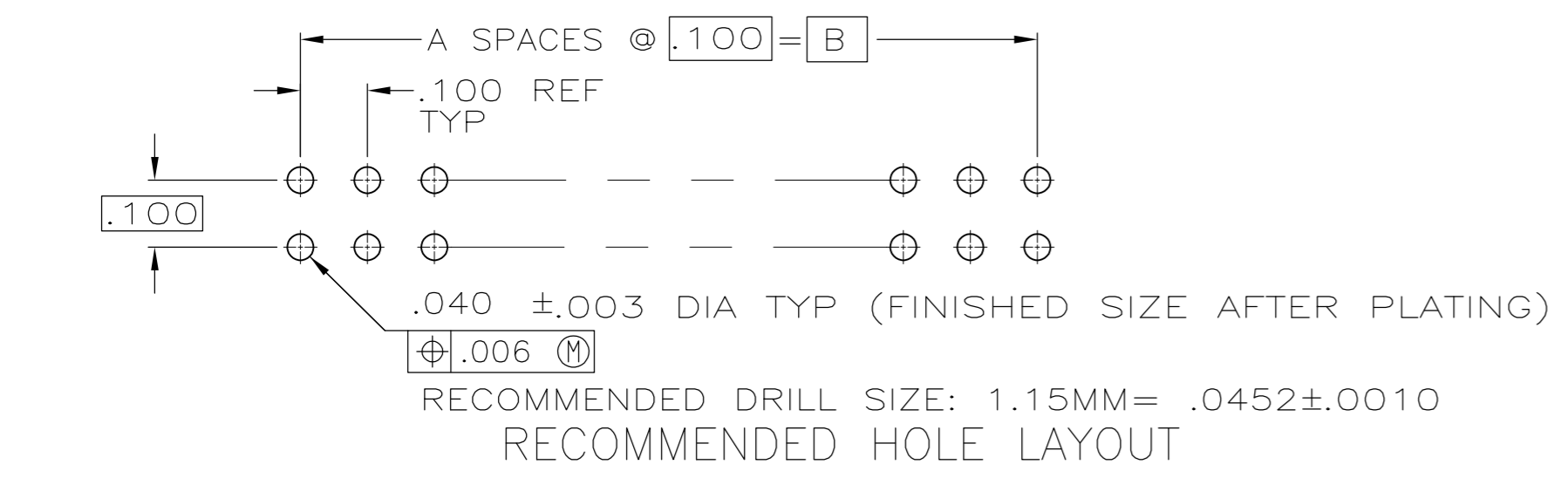


THIS DRAWING IS UNPUBLISHED. RELEASED FOR PUBLICATION
 © COPYRIGHT - By - ALL RIGHTS RESERVED.

| Loc | | DIST | | REVISIONS | | | |
|-----|-----|---------------------------|---------|-----------|------|--|--|
| P | LTR | DESCRIPTION | DATE | DWN | APVD | | |
| AD | 00 | | | | | | |
| | N5 | REVISED PER ECO-11-004587 | 11MAR11 | RK | HMR | | |



SECT Y-Y



SECTION X-X

- ① FINISH OVER INDICATED AREA: .000100-.000200 BRIGHT TIN LEAD OVER .000050 NICKEL.
- ② FINISH OVER INDICATED AREA: .000015 GOLD OVER .000050 NICKEL.
- ③ POINT OF MEASUREMENT FOR PLATING THICKNESS.
- ④ RECESSED DATE CODE AND CSA LOGO.
- ⑤ OBSOLETE PART NUMBER.
- ⑥ FINISH OVER INDICATED AREA: .000100-.000200 MATTE TIN OVER .000050 NICKEL.
- ⑦ PRELIMINARY PART.
- ⑧ ROHS 2002/95/EC COMPLIANT
- ⑨ HEADER: GLASS-FILLED, FLAME RETARDANT THERMOPLASTIC COLOR: BLACK POST: COPPER ALLOY
- ⑩ OBSOLETE PARTS: OBSOLETE CIS STREAMLINING PER D.RENAUD/D.SINISI


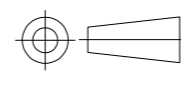
| | | | | | | | |
|--|--|------------------|-------------|------------|--------------|--|---------------|
| THIS DRAWING IS A CONTROLLED DOCUMENT. | | DWN | B. HAYMAKER | 30MAR00 | | TE Connectivity | |
| DIMENSIONS: mm | | CHK | J. GESFORD | 30MAR00 | | NAME | |
| TOLERANCES UNLESS OTHERWISE SPECIFIED: | | APVD | J. GESFORD | 30MAR00 | PRODUCT SPEC | | |
| 0 PLC ± - | | APPLICATION SPEC | | NAME | | HEADER ASSEMBLY, MOD II, .100 X .100CL | |
| 1 PLC ± - | | WEIGHT | | SIZE | A2 | CAGE CODE | 00779 |
| 2 PLC ± - | | CUSTOMER DRAWING | | DRAWING NO | C=102567 | | RESTRICTED TO |
| 3 PLC ± .005 | | SCALE | | 4:1 | SHEET | 1 of 2 | REV |
| 4 PLC ± - | | MATERIAL | | SEE NOTES | | N5 | |
| ANGLES ± - | | FINISH | | SEE NOTES | | | |
| FINISH | | | | | | | |

THIS DRAWING IS UNPUBLISHED. RELEASED FOR PUBLICATION
 © COPYRIGHT - By - ALL RIGHTS RESERVED.

| LOC | | DIST | | REVISIONS | | | | |
|-----|-----|-------------|------|-----------|------|--|--|--|
| P | LTR | DESCRIPTION | DATE | DWN | APVD | | | |
| | | SEE SHEET 1 | - | - | - | | | |

| | | | | | | | |
|-----------------------------------|--------|--------|--------|-------|----|-------------|-------------------------|
| ⁵ OBOLETE | 1.870 | 1.980 | 1.900 | 1.500 | 15 | 32 | ⁸ 7-102567-9 |
| ⁵ OBOLETE | 9.270 | 9.380 | 9.300 | 8.900 | 89 | 180 | ⁸ 7-102567-8 |
| ⁵ OBOLETE | 7.670 | 7.780 | 7.700 | 7.300 | 73 | 148 | ⁸ 7-102567-7 |
| ⁵ OBOLETE | 6.670 | 6.780 | 6.700 | 6.300 | 63 | 128 | ⁸ 7-102567-6 |
| ⁵ OBOLETE | 4.970 | 5.080 | 5.000 | 4.600 | 46 | 94 | ⁸ 7-102567-5 |
| ⁵ OBOLETE | 2.470 | 2.580 | 2.500 | 2.100 | 21 | 44 | ⁸ 7-102567-4 |
| ⁵ OBOLETE | .970 | 1.080 | 1.000 | .600 | 6 | 14 | ⁸ 7-102567-3 |
| ⁵ OBOLETE | 8.270 | 8.380 | 8.300 | 7.900 | 79 | 160 | ⁸ 7-102567-2 |
| ⁵ OBOLETE | 10.270 | 10.380 | 10.300 | 9.900 | 99 | 200 | ⁸ 7-102567-1 |
| ⁵ OBOLETE | 7.270 | 7.380 | 7.300 | 6.900 | 69 | 140 | ⁸ 7-102567-0 |
| ⁵ OBOLETE | 6.770 | 6.880 | 6.800 | 6.400 | 64 | 130 | ⁸ 6-102567-9 |
| ⁵ OBOLETE | 1.070 | 1.180 | 1.100 | .700 | 7 | 16 | ⁸ 6-102567-8 |
| ⁵ OBOLETE | 4.570 | 4.680 | 4.600 | 4.200 | 42 | 86 | ⁸ 6-102567-7 |
| ⁵ OBOLETE | 3.870 | 3.980 | 3.900 | 3.500 | 35 | 72 | ⁸ 6-102567-6 |
| ⁵ OBOLETE | 5.770 | 5.880 | 5.800 | 5.400 | 54 | 110 | ⁸ 6-102567-5 |
| ⁵ OBOLETE | 4.770 | 4.880 | 4.800 | 4.400 | 44 | 90 | ⁸ 6-102567-4 |
| ² ⁶ OBOLETE | 1.770 | 1.880 | 1.800 | 1.400 | 14 | 30 | ⁸ 6-102567-3 |
| ² ⁶ OBOLETE | 2.270 | 2.380 | 2.300 | 1.900 | 19 | 40 | ⁸ 6-102567-2 |
| ² ⁶ OBOLETE | 1.270 | 1.380 | 1.300 | .900 | 9 | 20 | ⁸ 6-102567-1 |
| ² ⁶ OBOLETE | 3.770 | 3.880 | 3.800 | 3.400 | 34 | 70 | ⁸ 6-102567-0 |
| ² ⁶ OBOLETE | 5.270 | 5.380 | 5.300 | 4.900 | 49 | 100 | ⁸ 5-102567-9 |
| ² ⁶ OBOLETE | 4.270 | 4.380 | 4.300 | 3.900 | 39 | 80 | ⁸ 5-102567-8 |
| ² ⁶ OBOLETE | 6.270 | 6.380 | 6.300 | 5.900 | 59 | 120 | ⁸ 5-102567-7 |
| ² ⁶ OBOLETE | 2.770 | 2.880 | 2.800 | 2.400 | 24 | 50 | ⁸ 5-102567-6 |
| ² ⁶ OBOLETE | 5.070 | 5.180 | 5.100 | 4.700 | 47 | 96 | ⁸ 5-102567-5 |
| ² ⁶ OBOLETE | 3.270 | 3.380 | 3.300 | 2.900 | 29 | 60 | ⁸ 5-102567-4 |
| ² ⁶ OBOLETE | 2.070 | 2.180 | 2.100 | 1.700 | 17 | 36 | ⁸ 5-102567-3 |
| ² ⁶ OBOLETE | 1.470 | 1.580 | 1.500 | 1.100 | 11 | 24 | ⁸ 5-102567-2 |
| ² ⁶ OBOLETE | .870 | .980 | .900 | .500 | 5 | 12 | ⁸ 5-102567-1 |
| FINISH | E | D | C | B | A | NO. OF POSN | PART NUMBER |

| SUPERSEDED BY 5-102567-1 | | ² ⁶ | .870 | .980 | .900 | .500 | 5 | 12 | 3-102567-0 |
|-----------------------------------|-----------------------|---------------------------|--------|--------|--------|-------------|-------------|-----|-----------------------|
| ⁸ ⁷ OBOLETE | ¹⁰ OBOLETE | | 1.870 | 1.980 | 1.900 | 1.500 | 15 | 32 | 2-102567-9 |
| ¹⁰ OBOLETE | | | 9.270 | 9.380 | 9.300 | 8.900 | 89 | 180 | 2-102567-8 |
| ¹⁰ OBOLETE | | | 7.670 | 7.780 | 7.700 | 7.300 | 73 | 148 | 2-102567-7 |
| ¹⁰ OBOLETE | | | 6.670 | 6.780 | 6.700 | 6.300 | 63 | 128 | 2-102567-6 |
| ¹⁰ OBOLETE | | | 4.970 | 5.080 | 5.000 | 4.600 | 46 | 94 | 2-102567-5 |
| ¹⁰ OBOLETE | | | 2.470 | 2.580 | 2.500 | 2.100 | 21 | 44 | 2-102567-4 |
| ¹⁰ OBOLETE | | | .970 | 1.080 | 1.000 | .600 | 6 | 14 | 2-102567-3 |
| ¹⁰ OBOLETE | | | 8.270 | 8.380 | 8.300 | 7.900 | 79 | 160 | 2-102567-2 |
| ¹⁰ OBOLETE | | | 10.270 | 10.380 | 10.300 | 9.900 | 99 | 200 | 2-102567-1 |
| ¹⁰ OBOLETE | | | 7.270 | 7.380 | 7.300 | 6.900 | 69 | 140 | 2-102567-0 |
| ¹⁰ OBOLETE | | | 6.770 | 6.880 | 6.800 | 6.400 | 64 | 130 | 4-102567-9 |
| ¹⁰ OBOLETE | | | 1.070 | 1.180 | 1.100 | .700 | 7 | 16 | 4-102567-8 |
| ¹⁰ OBOLETE | | | 4.570 | 4.680 | 4.600 | 4.200 | 42 | 86 | 4-102567-7 |
| ¹⁰ OBOLETE | | | 3.870 | 3.980 | 3.900 | 3.500 | 35 | 72 | 1-102567-6 |
| ¹⁰ OBOLETE | | | 5.770 | 5.880 | 5.800 | 5.400 | 54 | 110 | 1-102567-5 |
| ¹⁰ OBOLETE | | | 4.770 | 4.880 | 4.800 | 4.400 | 44 | 90 | 4-102567-4 |
| ¹⁰ OBOLETE | | | 1.770 | 1.880 | 1.800 | 1.400 | 14 | 30 | 1-102567-3 |
| ¹⁰ OBOLETE | | | 2.270 | 2.380 | 2.300 | 1.900 | 19 | 40 | 1-102567-2 |
| ¹⁰ OBOLETE | | | 1.270 | 1.380 | 1.300 | .900 | 9 | 20 | 1-102567-1 |
| ¹⁰ OBOLETE | | | 3.770 | 3.880 | 3.800 | 3.400 | 34 | 70 | 1-102567-0 |
| ¹⁰ OBOLETE | | | 5.270 | 5.380 | 5.300 | 4.900 | 49 | 100 | 102567-9 |
| ¹⁰ OBOLETE | | | 4.270 | 4.380 | 4.300 | 3.900 | 39 | 80 | 102567-8 |
| ¹⁰ OBOLETE | | | 6.270 | 6.380 | 6.300 | 5.900 | 59 | 120 | 102567-7 |
| ¹⁰ OBOLETE | | | 2.770 | 2.880 | 2.800 | 2.400 | 24 | 50 | 102567-6 |
| ¹⁰ OBOLETE | | | 5.070 | 5.180 | 5.100 | 4.700 | 47 | 96 | 102567-5 |
| ¹⁰ OBOLETE | | | 3.270 | 3.380 | 3.300 | 2.900 | 29 | 60 | 102567-4 |
| ¹⁰ OBOLETE | | | 2.070 | 2.180 | 2.100 | 1.700 | 17 | 36 | 102567-3 |
| ¹⁰ OBOLETE | | | 1.470 | 1.580 | 1.500 | 1.100 | 11 | 24 | 102567-2 |
| ¹⁰ OBOLETE | | | .870 | .980 | .900 | .500 | 5 | 12 | 102567-1 |
| FINISH | E | D | C | B | A | NO. OF POSN | PART NUMBER | | |

| | | | | |
|--|--|-------------------------------|---|--------------------|
| THIS DRAWING IS A CONTROLLED DOCUMENT. | | DWN B. HAYMAKER 30MAR00 |  TE Connectivity | |
| DIMENSIONS: mm | | CHK J. GESFORD 30MAR00 | | |
|  | | APVD J. GESFORD 30MAR00 | NAME HEADER ASSEMBLY, MOD II, .100 X .100CL | |
| TOLERANCES UNLESS OTHERWISE SPECIFIED: 0 PLC ± - 1 PLC ± - 2 PLC ± - 3 PLC ± .005 4 PLC ± - ANGLES ± - | | PRODUCT SPEC - | RESTRICTED TO - | |
| MATERIAL - | | APPLICATION SPEC - | SIZE A2 | CAGE CODE 00779 |
| SEE NOTES | | WEIGHT - | DRAWING NO C=102567 | SCALE 4:1 |
| | | CUSTOMER DRAWING | SHEET 2 of 2 | REV N5 |

X-ON Electronics

Largest Supplier of Electrical and Electronic Components

Click to view similar products for [Board to Board & Mezzanine Connectors](#) category:

Click to view products by [TE Connectivity](#) manufacturer:

Other Similar products are found below :

[589158040000018](#) [MDF7C-18P-2.54DSA\(55\)](#) [FCN-230C068-11](#) [FCN-268F012-G/BD](#) [FCN-268F036-G/BD](#) [FCN-268M012-G/0D](#) [FCN-268M024-G/1D](#) [FCN-723J004/1](#) [MIS-048-01-F-D-DP-K](#) [832-10-034-10-001000](#) [FX4C-80S-1.27DSA](#) [FCN-214Q030-G/0](#) [FCN-234P048-G/0](#) [FCN-235D050-G/C](#) [210-93-314-41-105000](#) [2-22603-0](#) [MDF7-40DP-2.54DSA\(55\)](#) [AXG720047](#) [5031084030](#) [MIT-114-03-F-D-K](#) [55323-1519](#) [DF33-2P-3.3DSA\(24\)](#) [YFT-20-05-H-03-SB-K](#) [503308-3040](#) [026-6203-PDB](#) [027-6203-PDB](#) [069159702701000](#) [10123981-102LF](#) [101A10019X](#) [55650-0588-C](#) [68682-310LF](#) [68684-306](#) [75140-7012](#) [87471-650](#) [194261-1](#) [FCN-268F024-G0D](#) [10124054-515LF](#) [68685-603](#) [8-1616154-3](#) [MIS-019-01-F-D](#) [FCN-268M024-G/3D](#) [20021832-06016C1LF](#) [KX15-20KLDL-E1000E](#) [MDF7-16DP-2.54DSA\(55\)](#) [AXE810124](#) [FCN-214J100-G/0](#) [FCN-230C068-E/S](#) [AXE812124](#) [AXE816124](#) [AXE720127](#)