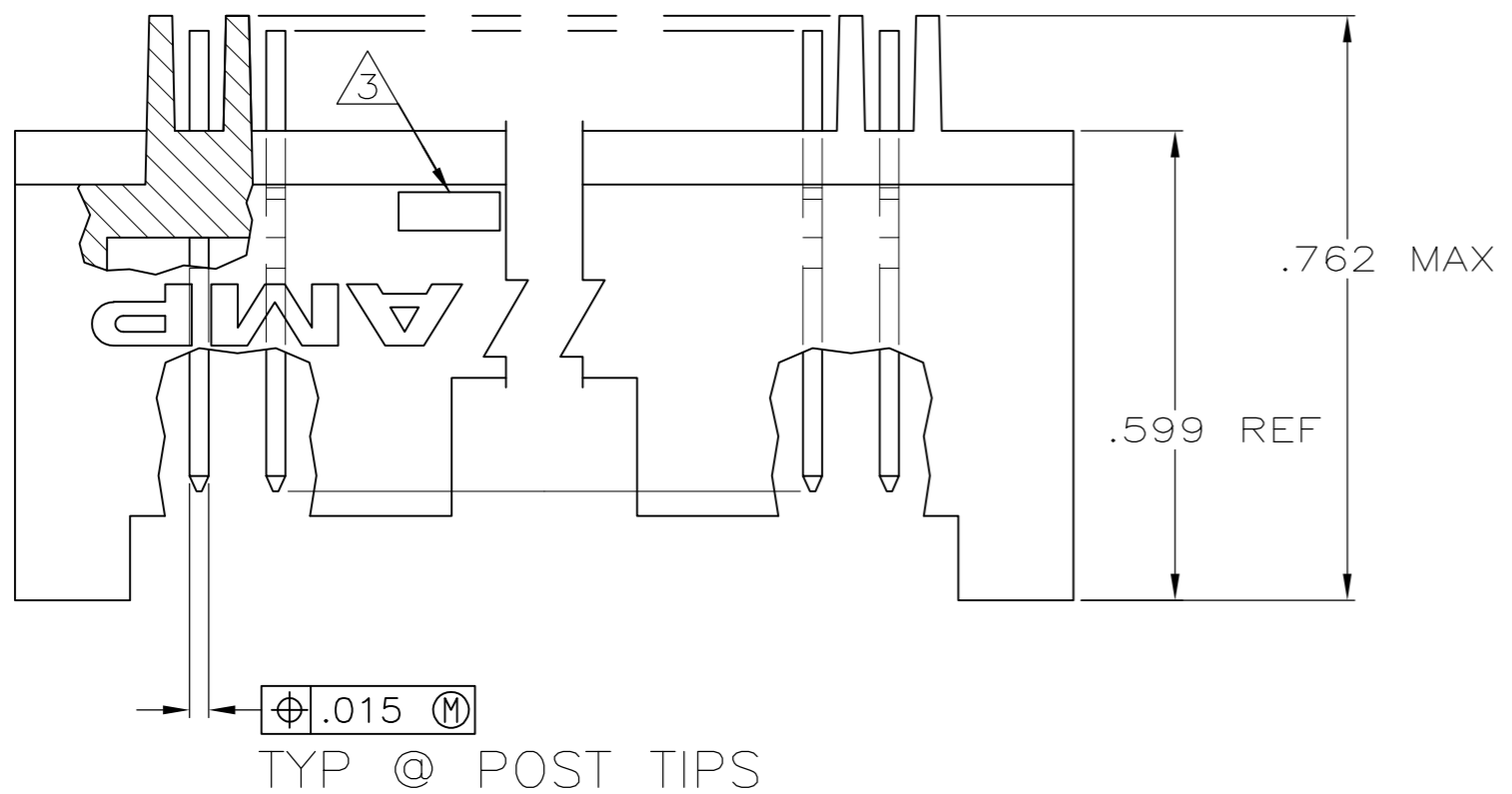
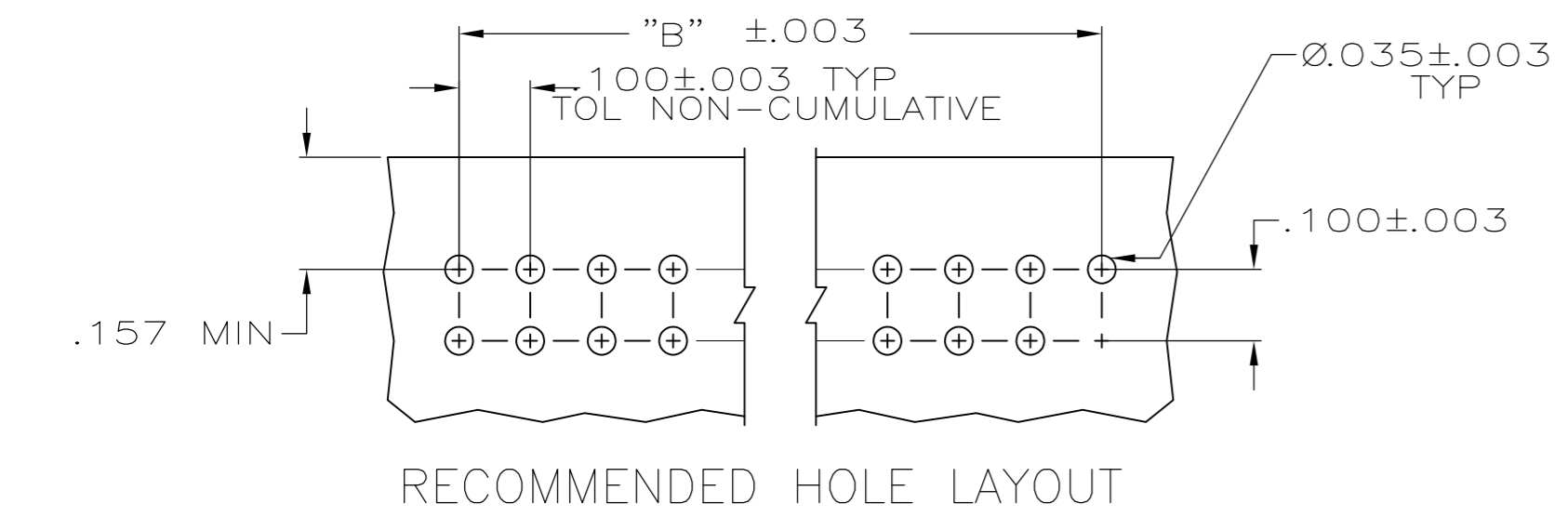
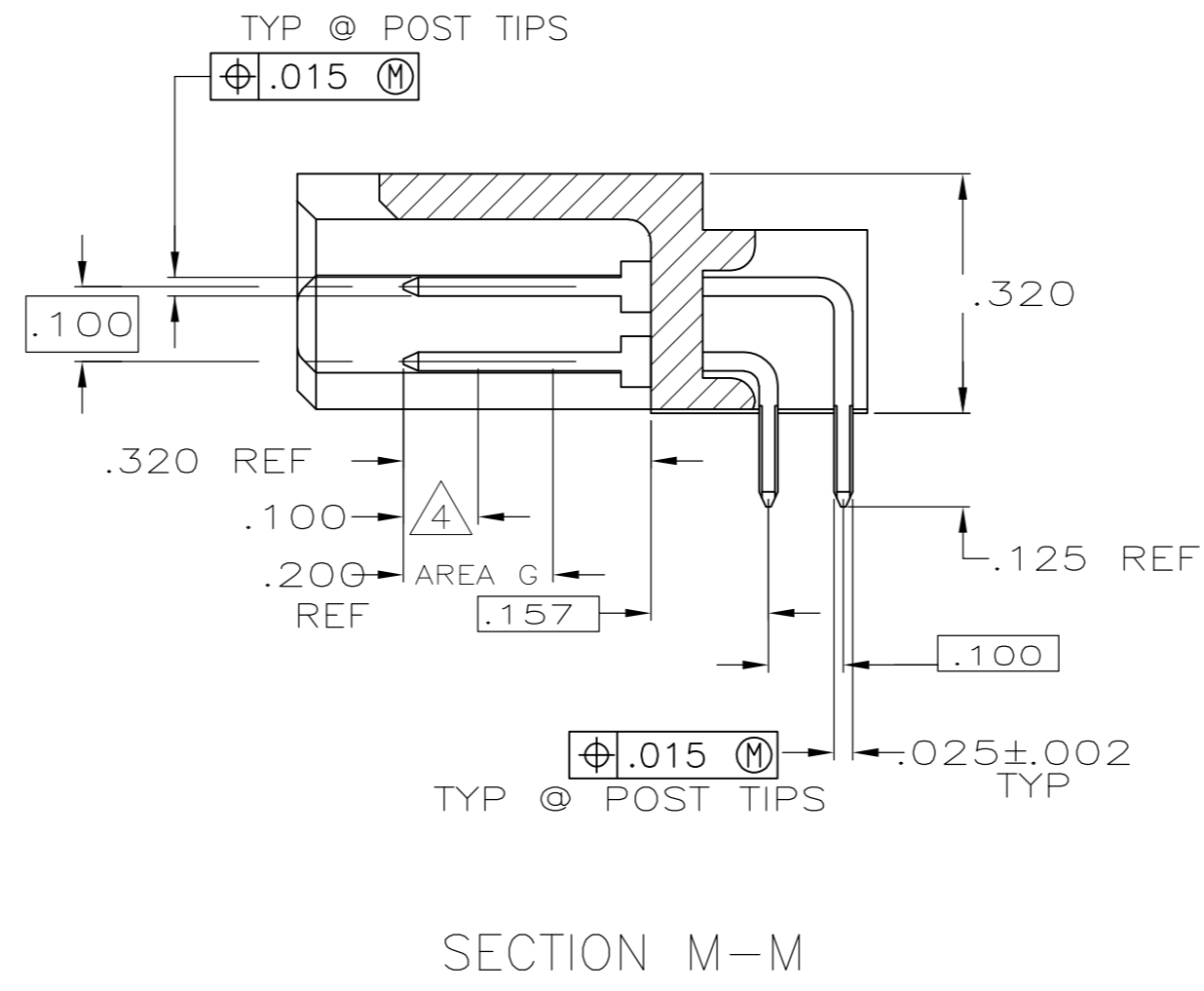
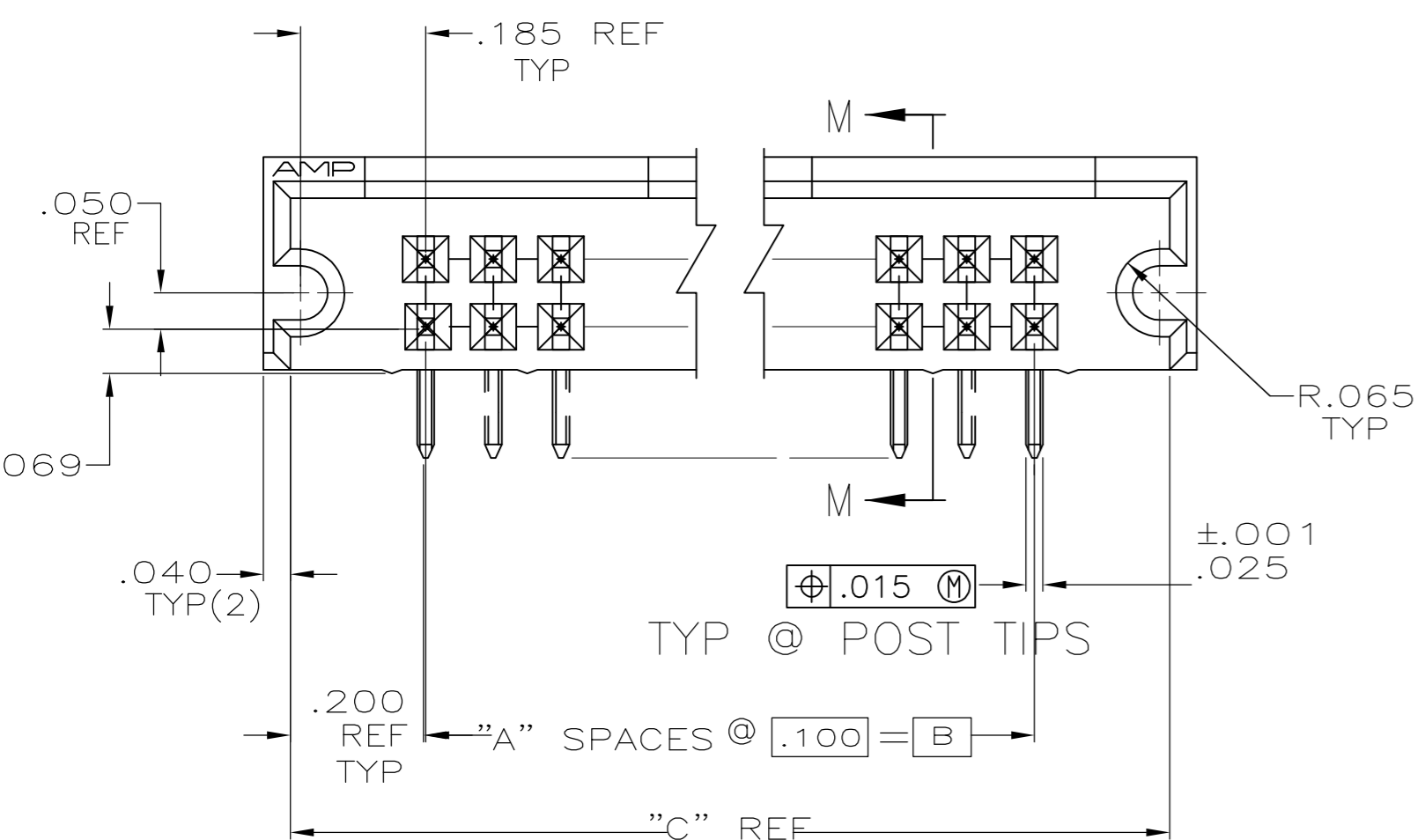


THIS DRAWING IS UNPUBLISHED. RELEASED FOR PUBLICATION
 © COPYRIGHT - By - ALL RIGHTS RESERVED.

LOC		DIST		REVISIONS					
AD		39		P	LTR	DESCRIPTION	DATE	DWN	APVD
				P3		REVISED PER ECO-11-004587	11MAR11	RK	HMR



- 1 PART NO. OBSOLETE
- 2 .000015 GOLD ON CONTACT AREA G
.000100-.000200 BRIGHT TIN-LEAD
ON SOLDER LEADS, ALL OVER
.000050 NICKEL
- 3 RECESSED DATE CODE AND CSA LOGO
- 4 POINT OF MEASUREMENT FOR
PLATING THICKNESS
- 5 .000015 GOLD ON CONTACT AREA G
.000100-.000200 MATTE TIN ON
SOLDER LEADS, ALL OVER .000050
NICKEL
- 6 ROHS 2002/95/EC COMPLIANT
- 7 OBSOLETE PARTS: OBSOLETE CIS STREAMLINING
PER D.RENAUD/D.SINISI



REMARKS	FINISH	"C"	"B"	"A"	NO OF POSN	PART NUMBER
1		.800	.400	4	10	1-102589-2
1		10.300	9.900	99	200	2-102589-1
1		7.300	6.900	69	140	2-102589-0
1		6.800	6.400	64	130	1-102589-9
1		4.600	4.200	42	86	1-102589-8
1		3.900	3.500	35	72	1-102589-7
1		5.800	.700	7	16	1-102589-6
1		5.800	5.400	54	110	1-102589-5
1		4.800	4.400	44	90	1-102589-4
1		2.300	1.900	19	40	1-102589-3
1		1.300	.900	9	20	1-102589-2
1		6.300	5.900	59	120	1-102589-1
1		3.800	3.400	34	70	1-102589-0
1		5.100	4.700	47	96	1-102589-9
1		.900	.500	5	12	102589-8
1		3.300	2.900	29	60	102589-7
1		1.500	1.100	11	24	102589-6
1		2.800	2.400	24	50	102589-5
1		1.800	1.400	14	30	102589-4
1		5.300	4.900	49	100	102589-3
1		2.100	1.700	17	36	102589-2
1		4.300	3.900	39	80	102589-1
1		.800	.400	4	10	2-102589-2
1		10.300	9.900	99	200	2-102589-1
1		7.300	6.900	69	140	2-102589-0
1		6.800	6.400	64	130	1-102589-9
1		4.600	4.200	42	86	1-102589-8
1		3.900	3.500	35	72	1-102589-7
1		1.100	.700	7	16	1-102589-6
1		5.800	5.400	54	110	1-102589-5
1		4.800	4.400	44	90	1-102589-4
1		2.300	1.900	19	40	1-102589-3
1		1.300	.900	9	20	1-102589-2
1		6.300	5.900	59	120	1-102589-1
1		3.800	3.400	34	70	1-102589-0
1		5.100	4.700	47	96	1-102589-9
1		.900	.500	5	12	102589-8
1		3.300	2.900	29	60	102589-7
1		1.500	1.100	11	24	102589-6
1		2.800	2.400	24	50	102589-5
1		1.800	1.400	14	30	102589-4
1		5.300	4.900	49	100	102589-3
1		2.100	1.700	17	36	102589-2
1		4.300	3.900	39	80	102589-1

THIS DRAWING IS A CONTROLLED DOCUMENT.

DWN J KNAUB 12-2-93
 CHK H PALEY 12-20-93
 APVD -
 PRODUCT SPEC -
 APPLICATION SPEC -

MATERIAL HSG: FLAME RETARDANT POLYESTER POST: PHOS BRONZE
 FINISH POSTS: SEE TABLE

TE Connectivity
 ASSY, HEADER, MOD II, .025 SQ POSTS
 .100 X.100CL

SIZE A2 CAGE CODE 00779 DRAWING NO C-102589 RESTRICTED TO -
 WEIGHT - SCALE 4:1 SHEET 1 of 1 REV P3

X-ON Electronics

Largest Supplier of Electrical and Electronic Components

Click to view similar products for [Board to Board & Mezzanine Connectors](#) category:

Click to view products by [TE Connectivity](#) manufacturer:

Other Similar products are found below :

[589158040000018](#) [MDF7C-18P-2.54DSA\(55\)](#) [FCN-230C068-11](#) [FCN-268F012-G/BD](#) [FCN-268F036-G/BD](#) [FCN-268M012-G/0D](#) [FCN-268M024-G/1D](#) [FCN-723J004/1](#) [MIS-048-01-F-D-DP-K](#) [832-10-034-10-001000](#) [FX4C-80S-1.27DSA](#) [FCN-214Q030-G/0](#) [FCN-234P048-G/0](#) [FCN-235D050-G/C](#) [210-93-314-41-105000](#) [2-22603-0](#) [MDF7-40DP-2.54DSA\(55\)](#) [AXG720047](#) [5031084030](#) [MIT-114-03-F-D-K](#) [55323-1519](#) [DF33-2P-3.3DSA\(24\)](#) [YFT-20-05-H-03-SB-K](#) [503308-3040](#) [026-6203-PDB](#) [027-6203-PDB](#) [069159702701000](#) [10123981-102LF](#) [101A10019X](#) [55650-0588-C](#) [68684-306](#) [75140-7012](#) [589159005003045](#) [194261-1](#) [FCN-268F024-G0D](#) [10124054-515LF](#) [68685-603](#) [8-1616154-3](#) [MIS-019-01-F-D](#) [589159005002045](#) [541371078](#) [IL-WX-10PB-HF-B-E1000E](#) [FCN-268M024-G/3D](#) [20021832-06016C1LF](#) [KX15-20KLDL-E1000E](#) [MDF7-16DP-2.54DSA\(55\)](#) [AXE810124](#) [FCN-214J100-G/0](#) [FCN-230C068-E/S](#) [AXE812124](#)