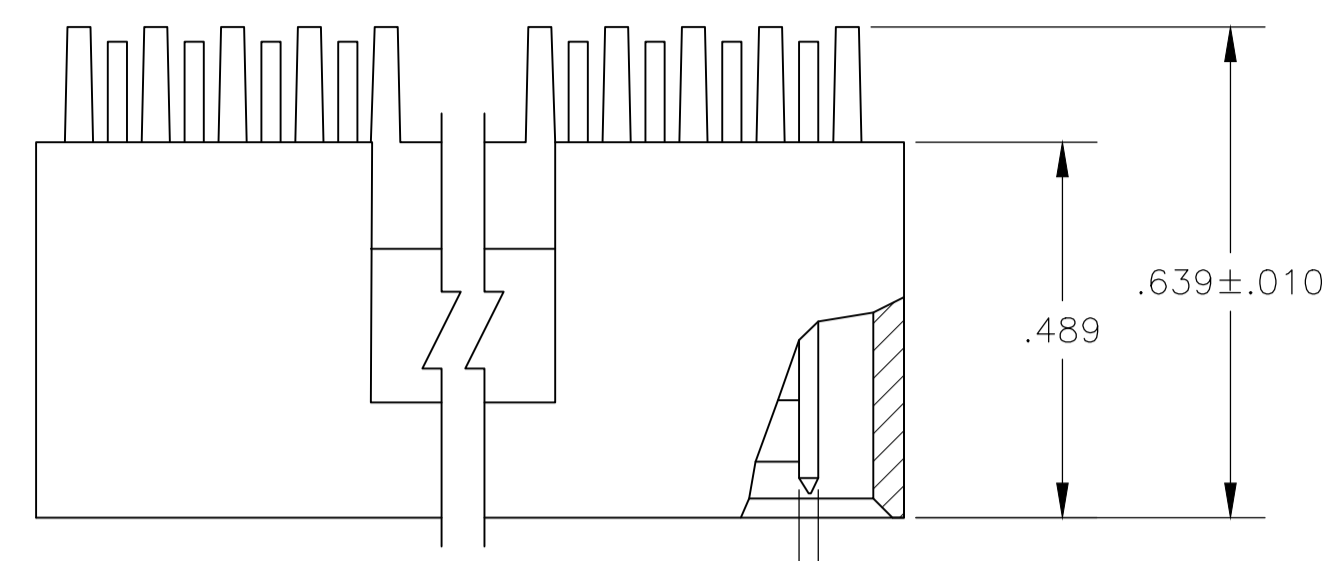
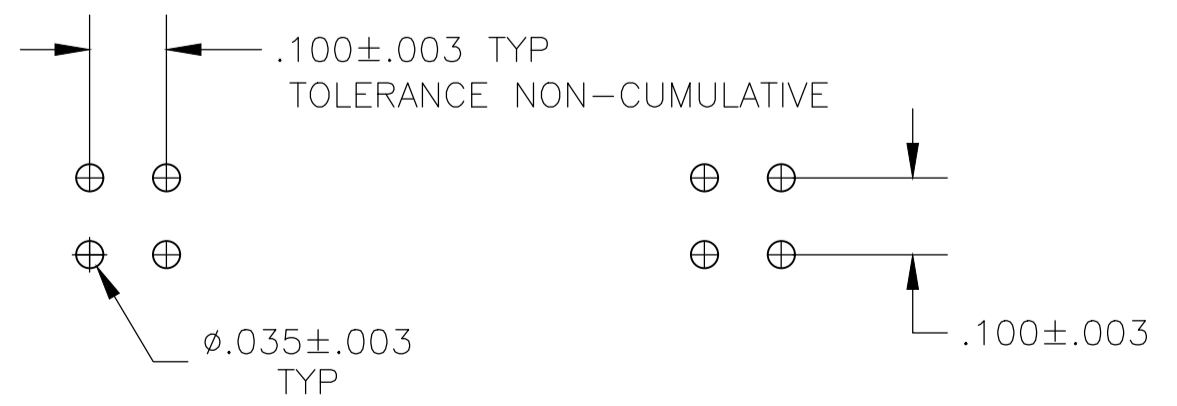
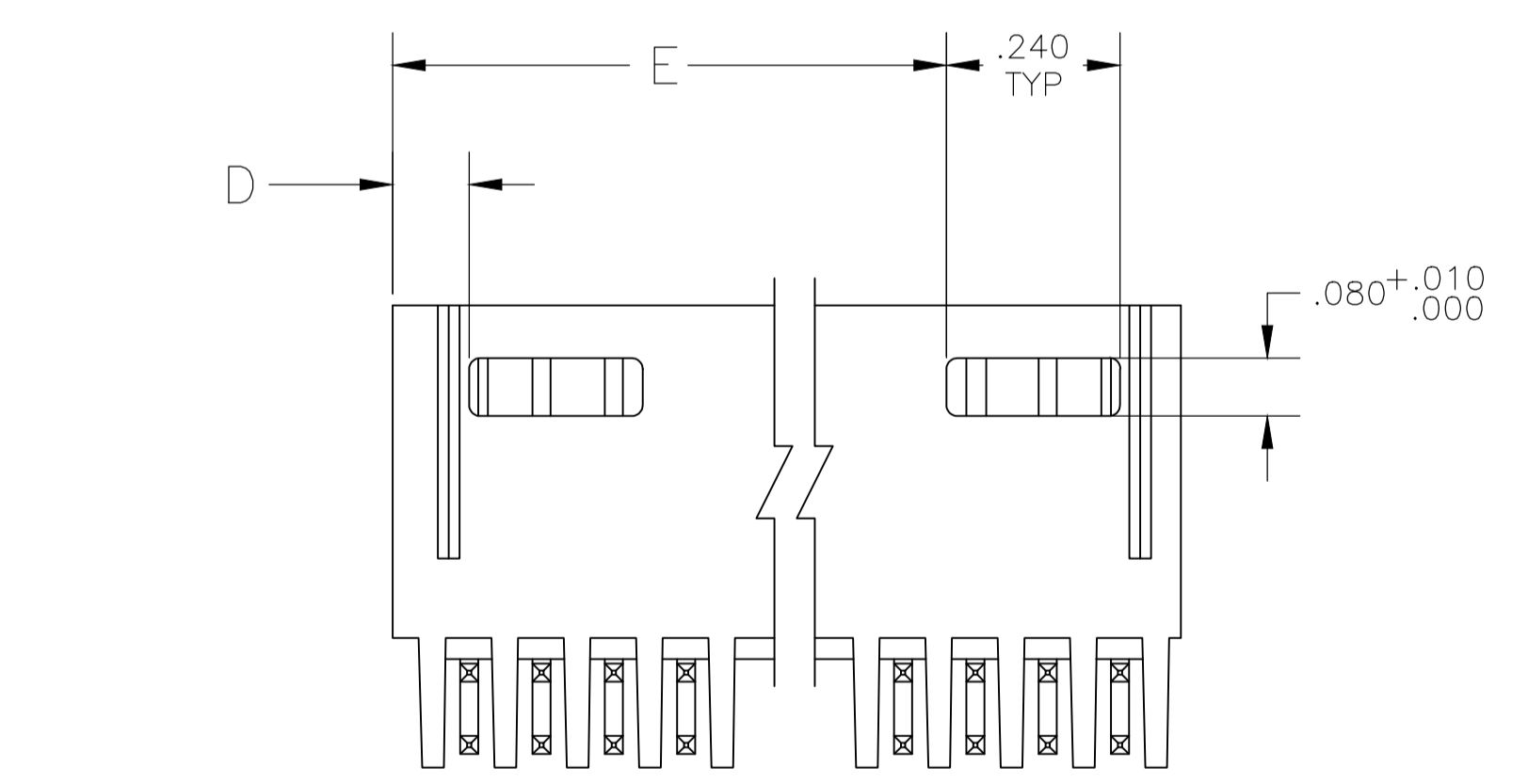
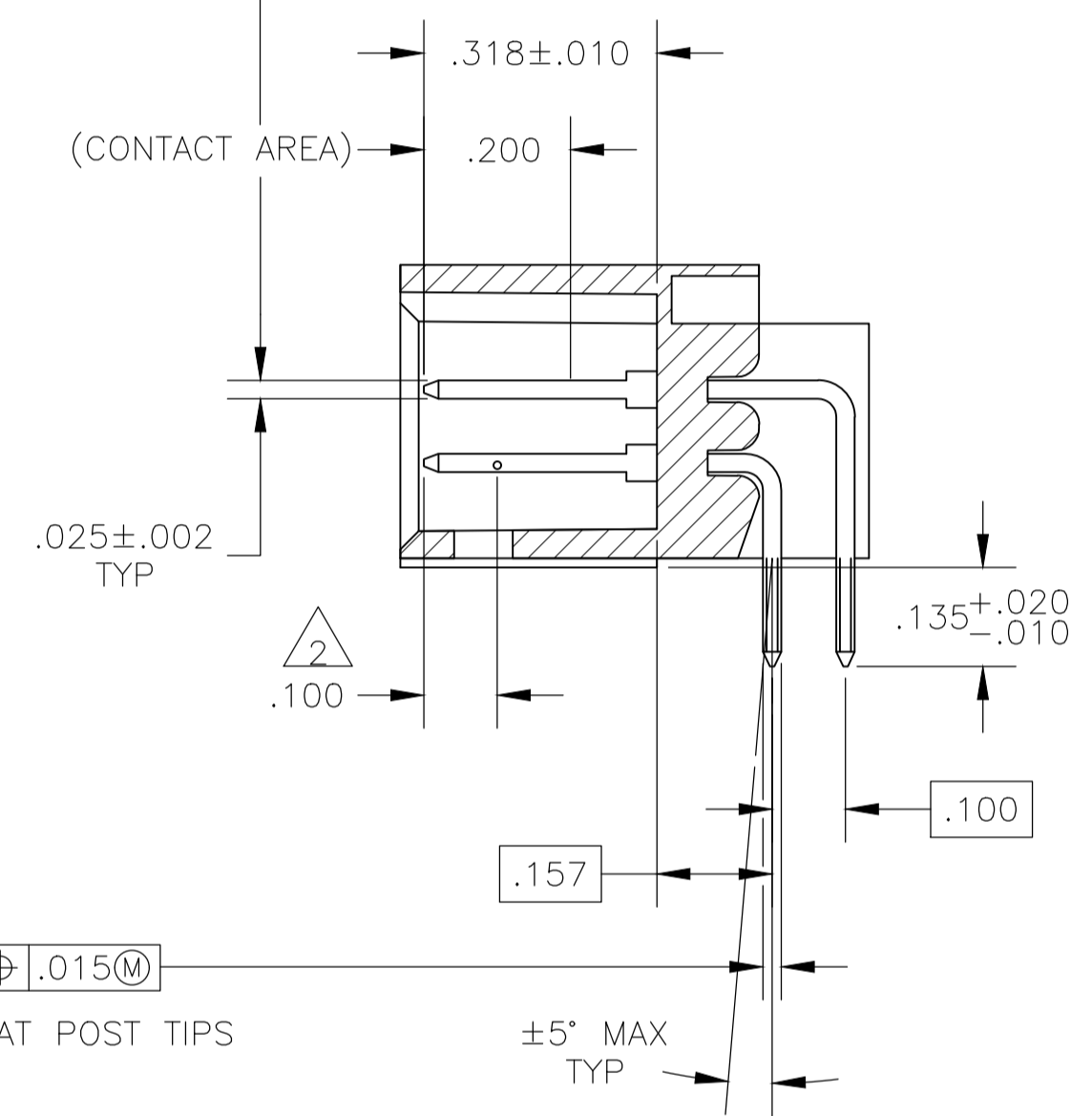
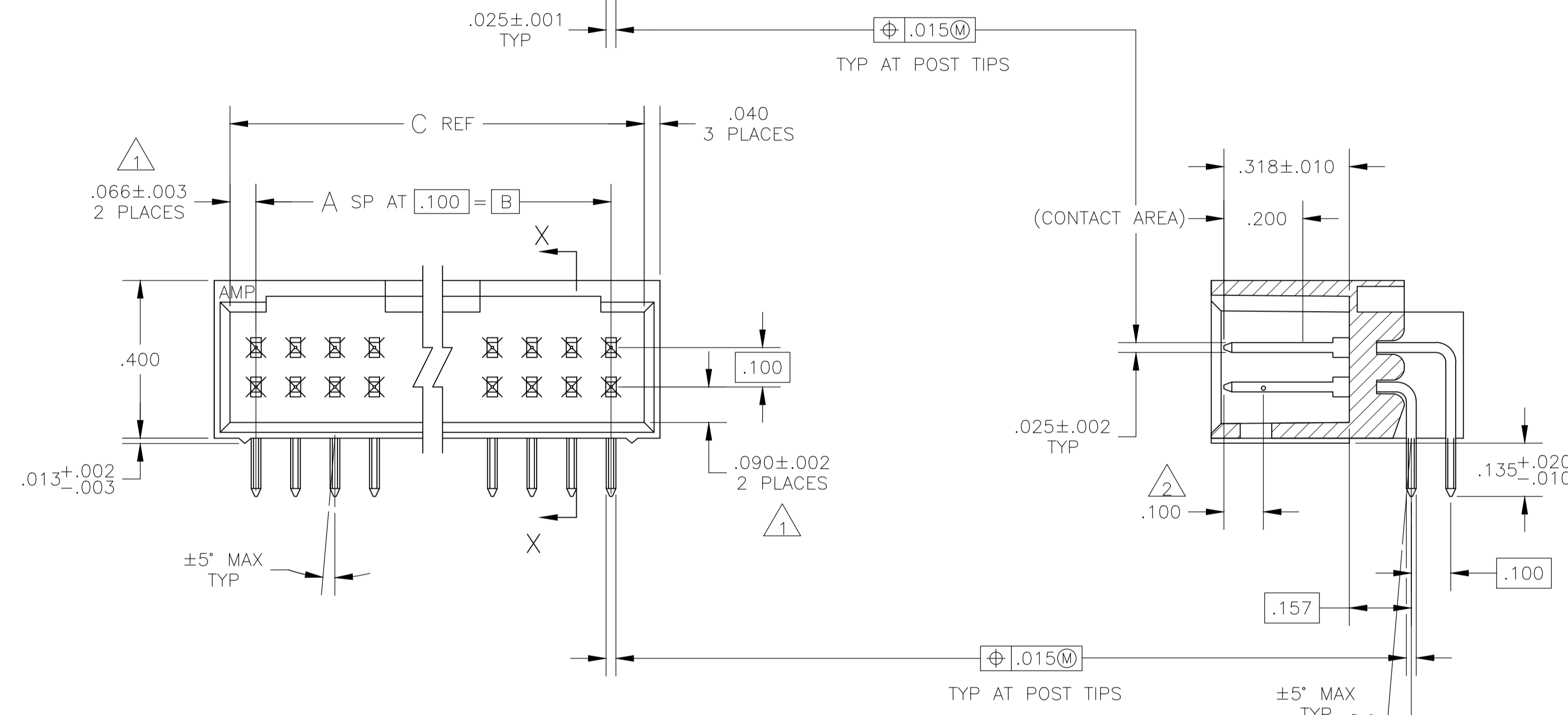


| REVISIONS |               |             |           |     |      |
|-----------|---------------|-------------|-----------|-----|------|
| P         | LTR           | DESCRIPTION | DATE      | DMN | APVD |
| J3        | PN 7-102617-0 | REACTIVATED | 10AUG2018 | KJK | PS   |



- 1 THE NOTED DIMENSIONS APPLY AT THE INTERSECTION OF THE POST AND HOUSING
- 2 POINT OF MEASUREMENT FOR PLATING THICKNESS
- 3 .000015 GOLD IN CONTACT AREA, .000100-.000200 MATTE TIN-LEAD ON SOLDER TAIL, ALL OVER .000050 NICKEL.
- 4 .000015 GOLD IN CONTACT AREA, .000100-.000200 MATTE TIN ON SOLDER TAIL, ALL OVER .000050 NICKEL.
- 5 OBSOLETE PARTS: OBSOLETE CIS STREAMLINING PER D.RENAUD/D.SINISI



|   |   |       |      |       |       |    |    |             |
|---|---|-------|------|-------|-------|----|----|-------------|
| 4 | 4 | 3.506 | .106 | 3.732 | 3.600 | 36 | 74 | 58-102617-5 |
| 4 | 4 | 3.406 | .106 | 3.632 | 3.500 | 35 | 72 | 58-102617-4 |
| 4 | 4 | 3.306 | .106 | 3.532 | 3.400 | 34 | 70 | 58-102617-3 |
| 4 | 4 | 3.206 | .106 | 3.432 | 3.300 | 33 | 68 | 58-102617-2 |
| 4 | 4 | 3.106 | .106 | 3.332 | 3.200 | 32 | 66 | 58-102617-1 |
| 4 | 4 | 3.006 | .106 | 3.232 | 3.100 | 31 | 64 | 58-102617-0 |
| 4 | 4 | 2.906 | .106 | 3.132 | 3.000 | 30 | 62 | 57-102617-9 |
| 4 | 4 | 2.806 | .106 | 3.032 | 2.900 | 29 | 60 | 7-102617-8  |
| 4 | 4 | 2.706 | .106 | 2.932 | 2.800 | 28 | 58 | 57-102617-7 |
| 4 | 4 | 2.606 | .106 | 2.832 | 2.700 | 27 | 56 | 57-102617-6 |
| 4 | 4 | 2.506 | .106 | 2.732 | 2.600 | 26 | 54 | 57-102617-5 |
| 4 | 4 | 2.406 | .106 | 2.632 | 2.500 | 25 | 52 | 57-102617-4 |
| 4 | 4 | 2.306 | .106 | 2.532 | 2.400 | 24 | 50 | 7-102617-3  |
| 4 | 4 | 2.206 | .106 | 2.432 | 2.300 | 23 | 48 | 57-102617-2 |
| 4 | 4 | 2.106 | .106 | 2.332 | 2.200 | 22 | 46 | 57-102617-1 |
| 4 | 4 | 2.006 | .106 | 2.232 | 2.100 | 21 | 44 | 7-102617-0  |
| 4 | 4 | 1.906 | .106 | 2.132 | 2.000 | 20 | 42 | 56-102617-9 |
| 4 | 4 | 1.806 | .106 | 2.032 | 1.900 | 19 | 40 | 6-102617-8  |
| 4 | 4 | 1.706 | .106 | 1.932 | 1.800 | 18 | 38 | 56-102617-7 |
| 4 | 4 | 1.606 | .106 | 1.832 | 1.700 | 17 | 36 | 56-102617-6 |
| 4 | 4 | 1.506 | .106 | 1.732 | 1.600 | 16 | 34 | 6-102617-5  |
| 4 | 4 | 1.406 | .106 | 1.632 | 1.500 | 15 | 32 | 6-102617-4  |
| 4 | 4 | 1.306 | .106 | 1.532 | 1.400 | 14 | 30 | 6-102617-3  |
| 4 | 4 | 1.206 | .106 | 1.432 | 1.300 | 13 | 28 | 56-102617-2 |
| 4 | 4 | 1.106 | .106 | 1.332 | 1.200 | 12 | 26 | 6-102617-1  |
| 4 | 4 | 1.006 | .106 | 1.232 | 1.100 | 11 | 24 | 6-102617-0  |
| 4 | 4 | .906  | .106 | 1.132 | 1.000 | 10 | 22 | 55-102617-9 |
| 4 | 4 | .806  | .106 | 1.032 | .900  | 9  | 20 | 5-102617-8  |
| 4 | 4 | ---   | .406 | .932  | .800  | 8  | 18 | 5-102617-7  |
| 4 | 4 | ---   | .306 | .832  | .700  | 7  | 16 | 5-102617-6  |
| 4 | 4 | ---   | .306 | .732  | .600  | 6  | 14 | 5-102617-5  |
| 4 | 4 | ---   | .206 | .632  | .500  | 5  | 12 | 5-102617-4  |
| 4 | 4 | ---   | .206 | .532  | .400  | 4  | 10 | 5-102617-3  |
| 4 | 4 | ---   | .106 | .432  | .300  | 3  | 8  | 5-102617-2  |
| 4 | 4 | ---   | .106 | .332  | .200  | 2  | 6  | 5-102617-1  |

|   |   |       |      |       |       |    |    |             |
|---|---|-------|------|-------|-------|----|----|-------------|
| 3 | 3 | 3.506 | .106 | 3.732 | 3.600 | 36 | 74 | 53-102617-5 |
| 3 | 3 | 3.406 | .106 | 3.632 | 3.500 | 35 | 72 | 53-102617-4 |
| 3 | 3 | 3.306 | .106 | 3.532 | 3.400 | 34 | 70 | 53-102617-3 |
| 3 | 3 | 3.206 | .106 | 3.432 | 3.300 | 33 | 68 | 53-102617-2 |
| 3 | 3 | 3.106 | .106 | 3.332 | 3.200 | 32 | 66 | 53-102617-1 |
| 3 | 3 | 3.006 | .106 | 3.232 | 3.100 | 31 | 64 | 3-102617-0  |
| 3 | 3 | 2.906 | .106 | 3.132 | 3.000 | 30 | 62 | 52-102617-9 |
| 3 | 3 | 2.806 | .106 | 3.032 | 2.900 | 29 | 60 | 2-102617-8  |
| 3 | 3 | 2.706 | .106 | 2.932 | 2.800 | 28 | 58 | 52-102617-7 |
| 3 | 3 | 2.606 | .106 | 2.832 | 2.700 | 27 | 56 | 52-102617-6 |
| 3 | 3 | 2.506 | .106 | 2.732 | 2.600 | 26 | 54 | 52-102617-5 |
| 3 | 3 | 2.406 | .106 | 2.632 | 2.500 | 25 | 52 | 52-102617-4 |
| 3 | 3 | 2.306 | .106 | 2.532 | 2.400 | 24 | 50 | 2-102617-3  |
| 3 | 3 | 2.206 | .106 | 2.432 | 2.300 | 23 | 48 | 52-102617-2 |
| 3 | 3 | 2.106 | .106 | 2.332 | 2.200 | 22 | 46 | 52-102617-1 |
| 3 | 3 | 2.006 | .106 | 2.232 | 2.100 | 21 | 44 | 52-102617-0 |
| 3 | 3 | 1.906 | .106 | 2.132 | 2.000 | 20 | 42 | 51-102617-9 |
| 3 | 3 | 1.806 | .106 | 2.032 | 1.900 | 19 | 40 | 1-102617-8  |
| 3 | 3 | 1.706 | .106 | 1.932 | 1.800 | 18 | 38 | 51-102617-7 |
| 3 | 3 | 1.606 | .106 | 1.832 | 1.700 | 17 | 36 | 51-102617-6 |
| 3 | 3 | 1.506 | .106 | 1.732 | 1.600 | 16 | 34 | 1-102617-5  |
| 3 | 3 | 1.406 | .106 | 1.632 | 1.500 | 15 | 32 | 1-102617-4  |
| 3 | 3 | 1.306 | .106 | 1.532 | 1.400 | 14 | 30 | 1-102617-3  |
| 3 | 3 | 1.206 | .106 | 1.432 | 1.300 | 13 | 28 | 51-102617-2 |
| 3 | 3 | 1.106 | .106 | 1.332 | 1.200 | 12 | 26 | 1-102617-1  |
| 3 | 3 | 1.006 | .106 | 1.232 | 1.100 | 11 | 24 | 1-102617-0  |
| 3 | 3 | .906  | .106 | 1.132 | 1.000 | 10 | 22 | 102617-9    |
| 3 | 3 | .806  | .106 | 1.032 | .900  | 9  | 20 | 102617-8    |
| 3 | 3 | ---   | .406 | .932  | .800  | 8  | 18 | 102617-7    |
| 3 | 3 | ---   | .306 | .832  | .700  | 7  | 16 | 102617-6    |
| 3 | 3 | ---   | .306 | .732  | .600  | 6  | 14 | 102617-5    |
| 3 | 3 | ---   | .206 | .632  | .500  | 5  | 12 | 102617-4    |
| 3 | 3 | ---   | .206 | .532  | .400  | 4  | 10 | 102617-3    |
| 3 | 3 | ---   | .106 | .432  | .300  | 3  | 8  | 102617-2    |
| 3 | 3 | ---   | .106 | .332  | .200  | 2  | 6  | 102617-1    |

| PLATING | E | D     | C    | B     | A     | NO OF POSN | ASSEMBLY PART NUMBER |             |
|---------|---|-------|------|-------|-------|------------|----------------------|-------------|
| 4       | 4 | 3.506 | .106 | 3.732 | 3.600 | 36         | 74                   | 58-102617-5 |
| 4       | 4 | 3.406 | .106 | 3.632 | 3.500 | 35         | 72                   | 58-102617-4 |
| 4       | 4 | 3.306 | .106 | 3.532 | 3.400 | 34         | 70                   | 58-102617-3 |
| 4       | 4 | 3.206 | .106 | 3.432 | 3.300 | 33         | 68                   | 58-102617-2 |
| 4       | 4 | 3.106 | .106 | 3.332 | 3.200 | 32         | 66                   | 58-102617-1 |
| 4       | 4 | 3.006 | .106 | 3.232 | 3.100 | 31         | 64                   | 58-102617-0 |
| 4       | 4 | 2.906 | .106 | 3.132 | 3.000 | 30         | 62                   | 57-102617-9 |
| 4       | 4 | 2.806 | .106 | 3.032 | 2.900 | 29         | 60                   | 7-102617-8  |
| 4       | 4 | 2.706 | .106 | 2.932 | 2.800 | 28         | 58                   | 57-102617-7 |
| 4       | 4 | 2.606 | .106 | 2.832 | 2.700 | 27         | 56                   | 57-102617-6 |
| 4       | 4 | 2.506 | .106 | 2.732 | 2.600 | 26         | 54                   | 57-102617-5 |
| 4       | 4 | 2.406 | .106 | 2.632 | 2.500 | 25         | 52                   | 57-102617-4 |
| 4       | 4 | 2.306 | .106 | 2.532 | 2.400 | 24         | 50                   | 7-102617-3  |
| 4       | 4 | 2.206 | .106 | 2.432 | 2.300 | 23         | 48                   | 57-102617-2 |
| 4       | 4 | 2.106 | .106 | 2.332 | 2.200 | 22         | 46                   | 57-102617-1 |
| 4       | 4 | 2.006 | .106 | 2.232 | 2.100 | 21         | 44                   | 7-102617-0  |
| 4       | 4 | 1.906 | .106 | 2.132 | 2.000 | 20         | 42                   | 56-102617-9 |
| 4       | 4 | 1.806 | .106 | 2.032 | 1.900 | 19         | 40                   | 6-102617-8  |
| 4       | 4 | 1.706 | .106 | 1.932 | 1.800 | 18         | 38                   | 56-102617-7 |
| 4       | 4 | 1.606 | .106 | 1.832 | 1.700 | 17         | 36                   | 56-102617-6 |
| 4       | 4 | 1.506 | .106 | 1.732 | 1.600 | 16         | 34                   | 6-102617-5  |
| 4       | 4 | 1.406 | .106 | 1.632 | 1.500 | 15         | 32                   | 6-102617-4  |
| 4       | 4 | 1.306 | .106 | 1.532 | 1.400 | 14         | 30                   | 6-102617-3  |
| 4       | 4 | 1.206 | .106 | 1.432 | 1.300 | 13         | 28                   | 56-102617-2 |
| 4       | 4 | 1.106 | .106 | 1.332 | 1.200 | 12         | 26                   | 6-102617-1  |
| 4       | 4 | 1.006 | .106 | 1.232 | 1.100 | 11         | 24                   | 6-102617-0  |
| 4       | 4 | .906  | .106 | 1.132 | 1.000 | 10         | 22                   | 55-102617-9 |
| 4       | 4 | .806  | .106 | 1.032 | .900  | 9          | 20                   | 5-102617-8  |
| 4       | 4 | ---   | .406 | .932  | .800  | 8          | 18                   | 5-102617-7  |
| 4       | 4 | ---   | .306 | .832  | .700  | 7          | 16                   | 5-102617-6  |
| 4       | 4 | ---   | .306 | .732  | .600  | 6          | 14                   | 5-102617-5  |
| 4       | 4 | ---   | .206 | .632  | .500  | 5          | 12                   | 5-102617-4  |
| 4       | 4 | ---   | .206 | .532  | .400  | 4          | 10                   | 5-102617-3  |
| 4       | 4 | ---   | .106 | .432  | .300  | 3          | 8                    | 5-102617-2  |
| 4       | 4 | ---   | .106 | .332  | .200  | 2          | 6                    | 5-102617-1  |

| PLATING | E | D     | C    | B     | A     | NO OF POSN | ASSEMBLY PART NUMBER |             |
|---------|---|-------|------|-------|-------|------------|----------------------|-------------|
| 3       | 3 | 3.506 | .106 | 3.732 | 3.600 | 36         | 74                   | 53-102617-5 |
| 3       | 3 | 3.406 | .106 | 3.632 | 3.500 | 35         | 72                   | 53-102617-4 |
| 3       | 3 | 3.306 | .106 | 3.532 | 3.400 | 34         | 70                   | 53-102617-3 |
| 3       | 3 | 3.206 | .106 | 3.432 | 3.300 | 33         | 68                   | 53-102617-2 |
| 3       | 3 | 3.106 | .106 | 3.332 | 3.200 | 32         | 66                   | 53-102617-1 |
| 3       | 3 | 3.006 | .106 | 3.232 | 3.100 | 31         | 64                   | 3-102617-0  |
| 3       | 3 | 2.906 | .106 | 3.132 | 3.000 | 30         | 62                   | 52-102617-9 |
| 3       | 3 | 2.806 | .106 | 3.032 | 2.900 | 29         | 60                   | 2-102617-8  |
| 3       | 3 | 2.706 | .106 | 2.932 | 2.800 | 28         | 58                   | 52-102617-7 |
| 3       | 3 | 2.606 | .106 | 2.832 | 2.700 | 27         | 56                   | 52-102617-6 |
| 3       | 3 | 2.506 | .106 | 2.732 | 2.600 | 26         | 54                   | 52-102617-5 |
| 3       | 3 | 2.406 | .106 | 2.632 | 2.500 | 25         | 52                   | 52-102617-4 |
| 3       | 3 | 2.306 | .106 | 2.532 | 2.400 | 24         | 50                   | 2-102617-3  |
| 3       | 3 | 2.206 | .106 | 2.432 | 2.300 | 23         | 48                   | 52-102617-2 |
| 3       | 3 | 2.106 | .106 | 2.332 | 2.200 | 22         | 46                   | 52-102617-1 |
| 3       | 3 | 2.006 | .106 | 2.232 | 2.100 | 21         | 44                   | 52-102617-0 |
| 3       | 3 | 1.906 | .106 | 2.132 | 2.000 | 20         | 42                   | 51-102617-9 |
| 3       | 3 | 1.806 | .106 | 2.032 | 1.900 | 19         | 40                   | 1-102617-8  |
| 3       | 3 | 1.706 | .106 | 1.932 | 1.800 | 18         | 38                   | 51-102617-7 |
| 3       | 3 | 1.606 | .106 | 1.832 | 1.700 | 17         | 36                   | 51-102617-6 |
| 3       | 3 | 1.506 | .106 | 1.732 | 1.600 | 16         | 34                   | 1-102617-5  |
| 3       | 3 | 1.406 | .106 | 1.632 | 1.500 | 15         | 32                   | 1-102617-4  |
| 3       | 3 | 1.306 | .106 | 1.532 | 1.400 | 14         | 30                   | 1-102617-3  |
| 3       | 3 | 1.206 | .106 | 1.432 | 1.300 | 13         | 28                   | 51-102617-2 |
| 3       | 3 | 1.106 | .106 | 1.332 | 1.200 | 12         | 26                   | 1-102617-1  |
| 3       | 3 | 1.006 | .106 | 1.232 | 1.100 | 11         | 24                   | 1-102617-0  |
| 3       | 3 | .906  | .106 | 1.132 | 1.000 | 10         | 22                   | 102617-9    |
| 3       | 3 | .806  | .106 | 1.032 | .900  | 9          | 20                   | 102617-8    |
| 3       | 3 | ---   | .406 | .932  | .800  | 8          | 18                   | 102617-7    |
| 3       | 3 | ---   |      |       |       |            |                      |             |

## X-ON Electronics

Largest Supplier of Electrical and Electronic Components

*Click to view similar products for [Headers & Wire Housings](#) category:*

*Click to view products by [TE Connectivity](#) manufacturer:*

Other Similar products are found below :

[892-18-020-10-001101](#) [58102-G61-06LF](#) [582553-1](#) [0009485154](#) [009176003701906](#) [0050291907](#) [LY20-4P-DT1-P1E-BR](#) [02.125.8002.8](#)  
[609-3404](#) [61062-3](#) [61082-181009](#) [622-3653LF](#) [63453-116](#) [636-1030](#) [636-1427](#) [636-3427](#) [636-4007](#) [641938-9](#) [641991-4](#) [644827-2](#) [65817-010LF](#) [65817-015LF](#) [65863-015LF](#) [66207-023LF](#) [67095-007LF](#) [67601157](#) [68645-018](#) [68648-049](#) [70.362.1628.0](#) [70-4210](#) [70-4226B](#) [70-4853B](#) [707-5020](#) [707-5028](#) [71.350.2428.0](#) [71918-208LF](#) [71961-016LF](#) [733-134](#) [733-162](#) [754199-000](#) [760-3052](#) [787-8014-00](#) [79531-3000](#)  
[FCN-360C032-B](#) [FCN-367T-T012/H](#) [FCN-723D010/2](#) [80.063.4001.1](#) [800-90-001-10-001000](#) [800-90-010-10-002000](#) [801-43-002-10-013000](#)