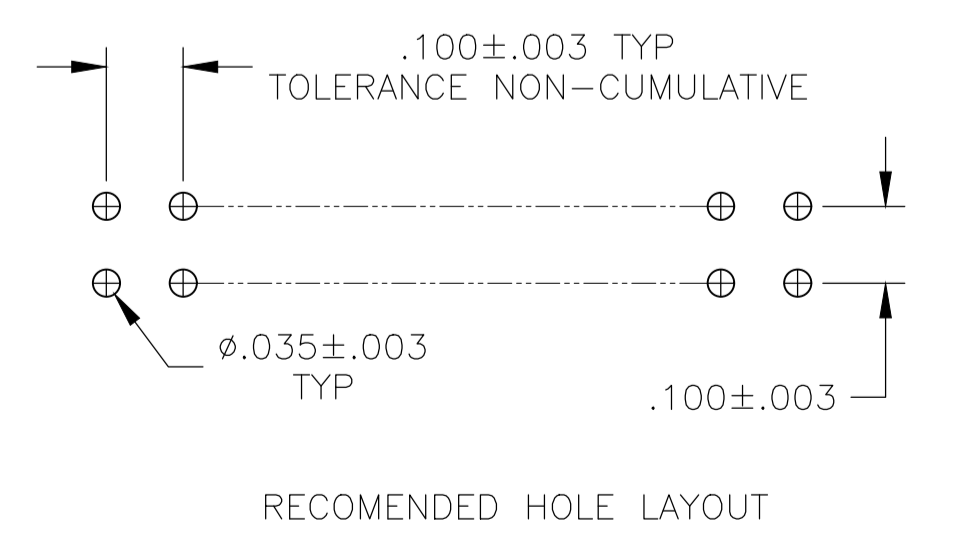
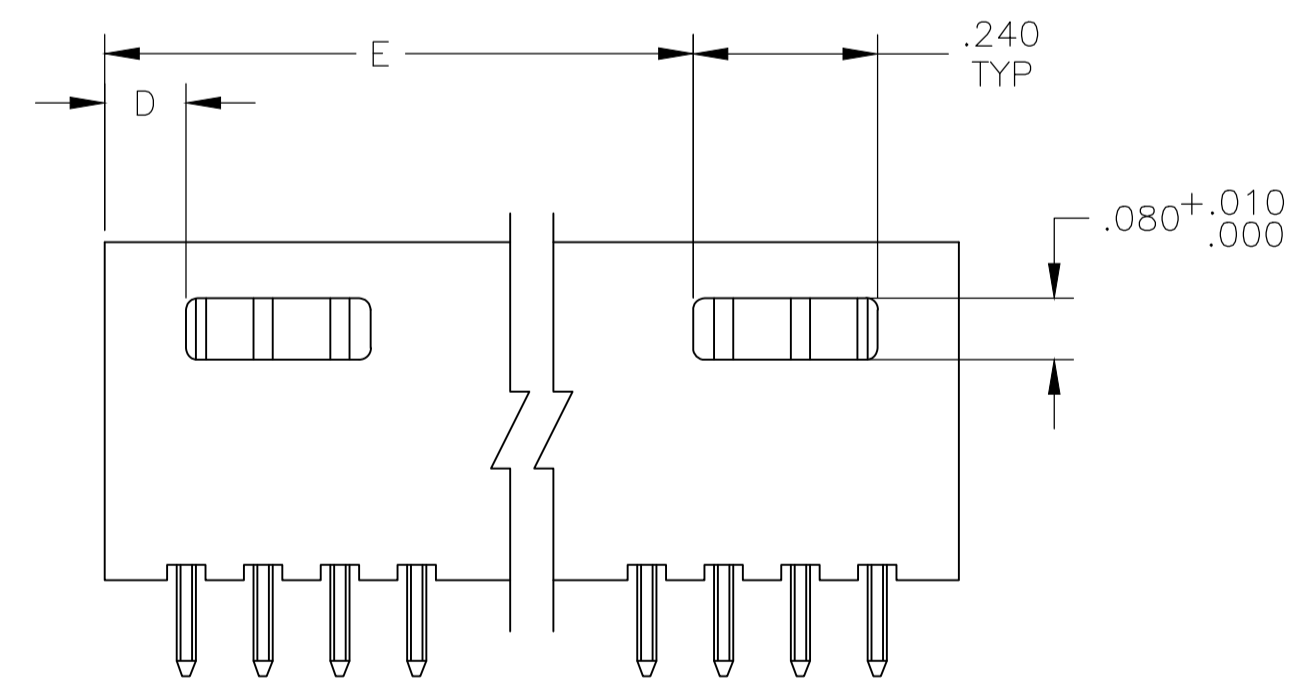
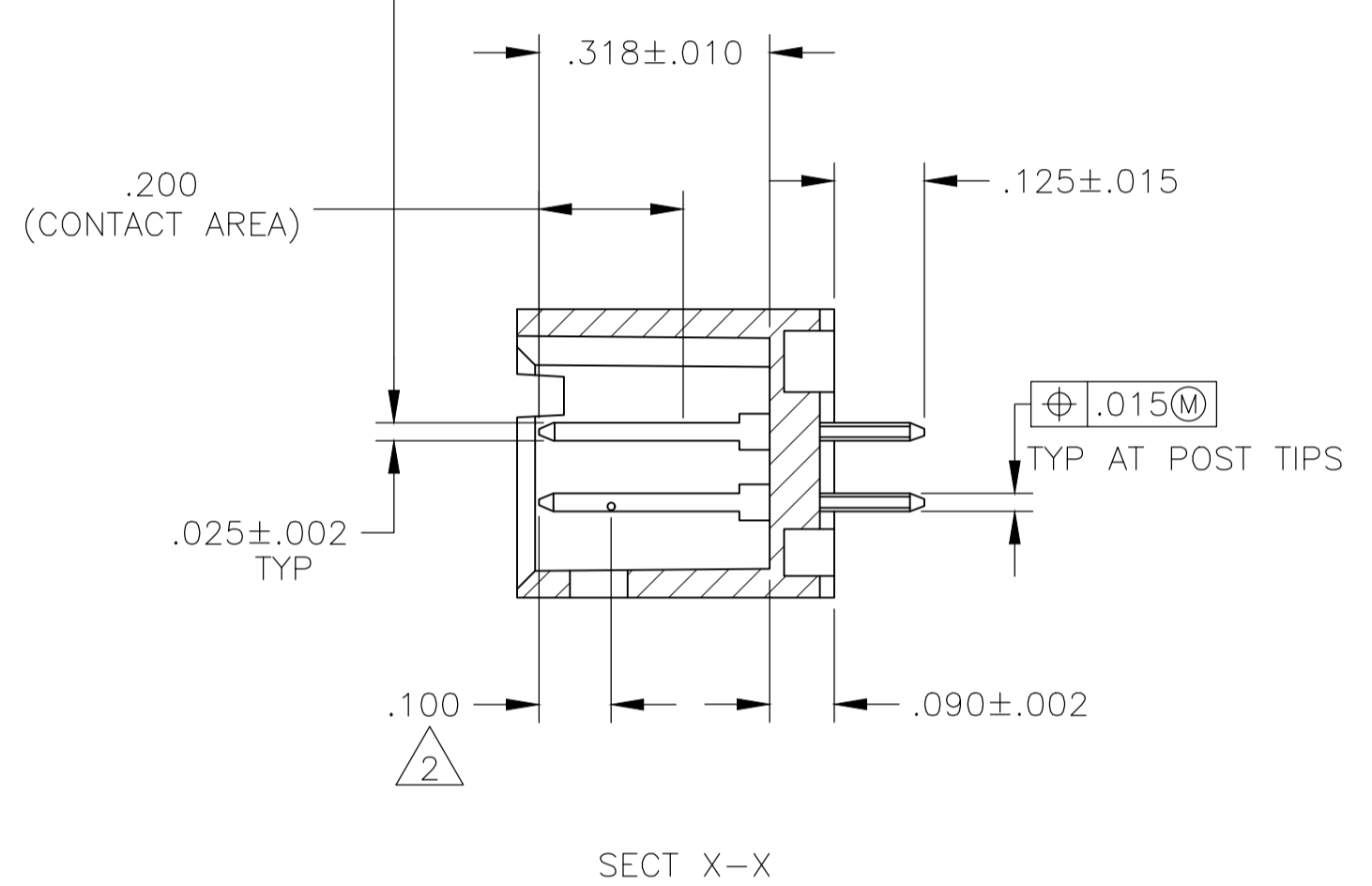
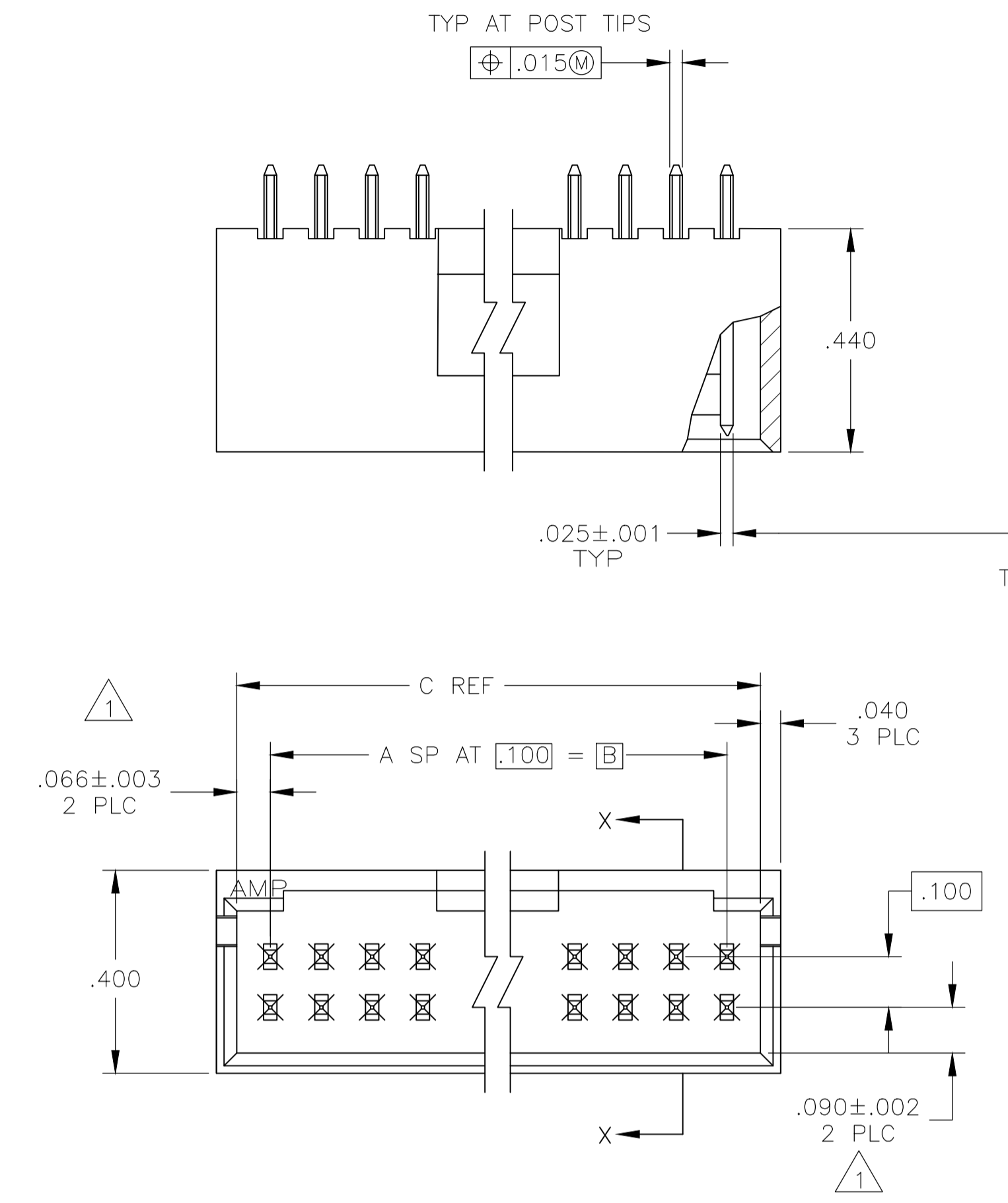


REVISIONS					
P	LTR	DESCRIPTION	DATE	DMN	APVD
L3		PART STATUS UPDATED IN PART LIST TABLE	09FEB2018	SD	PS

- 1 THE NOTED DIMENSIONS APPLY AT THE INTERSECTION OF THE POST AND HOUSING
- 2 POINT OF MEASUREMENT FOR PLATING THICKNESS
- 3 FINISH: POSTS: .000015 GOLD IN CONTACT AREA, .000100-.000200 MATTE TIN-LEAD ON SOLDER TAIL, ALL OVER .000050 NICKEL
- 4 FINISH: POSTS: .000015 GOLD IN CONTACT AREA, .000100-.000200 MATTE TIN ON SOLDER TAIL, ALL OVER .000050 NICKEL
- 5 MATERIALS: HOUSING- FLAME RETARDANT THERMOPLASTIC, COLOR-BLACK
POSTS- PHOS BRONZE
- 6 OBSOLETE PARTS: OBSOLETE CIS STREAMLINING PER D.RENAUD/D.SINISI



REV	DESCRIPTION	DATE	DMN	APVD	NO. OF POSN	ASSEMBLY PART NUMBER
8	8-102618-5				36	74
8	8-102618-4				35	72
8	8-102618-3				34	70
8	8-102618-2				33	68
8	8-102618-1				32	66
8	8-102618-0				31	64
7	7-102618-9				30	62
7	7-102618-8				29	60
7	7-102618-7				28	58
7	7-102618-6				27	56
7	7-102618-5				26	54
7	7-102618-4				25	52
7	7-102618-3				24	50
7	7-102618-2				23	48
7	7-102618-1				22	46
7	7-102618-0				21	44
6	6-102618-9				20	42
6	6-102618-8				19	40
6	6-102618-7				18	38
6	6-102618-6				17	36
6	6-102618-5				16	34
6	6-102618-4				15	32
6	6-102618-3				14	30
6	6-102618-2				13	28
6	6-102618-1				12	26
6	6-102618-0				11	24
5	5-102618-9				10	22
5	5-102618-8				9	20
5	5-102618-7				8	18
5	5-102618-6				7	16
5	5-102618-5				6	14
5	5-102618-4				5	12
5	5-102618-3				4	10
5	5-102618-2				3	8
5	5-102618-1				2	6
3	3-102618-5				36	74
3	3-102618-4				35	72
3	3-102618-3				34	70
3	3-102618-2				33	68
3	3-102618-1				32	66
3	3-102618-0				31	64
2	2-102618-9				30	62
2	2-102618-8				29	60
2	2-102618-7				28	58
2	2-102618-6				27	56
2	2-102618-5				26	54
2	2-102618-4				25	52
2	2-102618-3				24	50
2	2-102618-2				23	48
2	2-102618-1				22	46
2	2-102618-0				21	44
1	1-102618-9				20	42
1	1-102618-8				19	40
1	1-102618-7				18	38
1	1-102618-6				17	36
1	1-102618-5				16	34
1	1-102618-4				15	32
1	1-102618-3				14	30
1	1-102618-2				13	28
1	1-102618-1				12	26
1	1-102618-0				11	24
—	—102618-9				10	22
—	102618-8				9	20
—	102618-7				8	18
—	102618-6				7	16
—	102618-5				6	14
—	102618-4				5	12
—	102618-3				4	10
—	102618-2				3	8
—	102618-1				2	6

SUP BY 5-102618-9

THIS DRAWING IS A CONTROLLED DOCUMENT.

APPROVED: LA MAYER, 4-9-87

DATE: 4-9-87

NAME: ASSEMBLY, HEADER, MOD II, .025 SQ POST, DBL ROW, .100 X .100 C/L WITH DETENTS

SIZE: A1

SCALE: 4:1

SHEET: 1 OF 1

REV: L3

STE TE Connectivity

X-ON Electronics

Largest Supplier of Electrical and Electronic Components

Click to view similar products for [Headers & Wire Housings](#) category:

Click to view products by [TE Connectivity](#) manufacturer:

Other Similar products are found below :

[892-18-020-10-001101](#) [58102-G61-06LF](#) [582553-1](#) [0009485154](#) [009176003701906](#) [0050291907](#) [LY20-4P-DT1-P1E-BR](#) [02.125.8002.8](#)
[609-3404](#) [61062-3](#) [61082-181009](#) [622-3653LF](#) [63453-116](#) [636-1030](#) [636-1427](#) [636-3427](#) [636-4007](#) [641938-9](#) [641991-4](#) [644827-2](#) [65817-](#)
[010LF](#) [65817-015LF](#) [65863-015LF](#) [66207-023LF](#) [67095-007LF](#) [67601157](#) [68645-018](#) [68648-049](#) [70.362.1628.0](#) [70-4210](#) [70-4226B](#) [70-](#)
[4853B](#) [707-5020](#) [707-5028](#) [71.350.2428.0](#) [71918-208LF](#) [71961-016LF](#) [733-134](#) [733-162](#) [754199-000](#) [760-3052](#) [787-8014-00](#) [79531-3000](#)
[FCN-360C032-B](#) [FCN-367T-T012/H](#) [FCN-723D010/2](#) [80.063.4001.1](#) [800-90-001-10-001000](#) [800-90-010-10-002000](#) [801-43-002-10-013000](#)