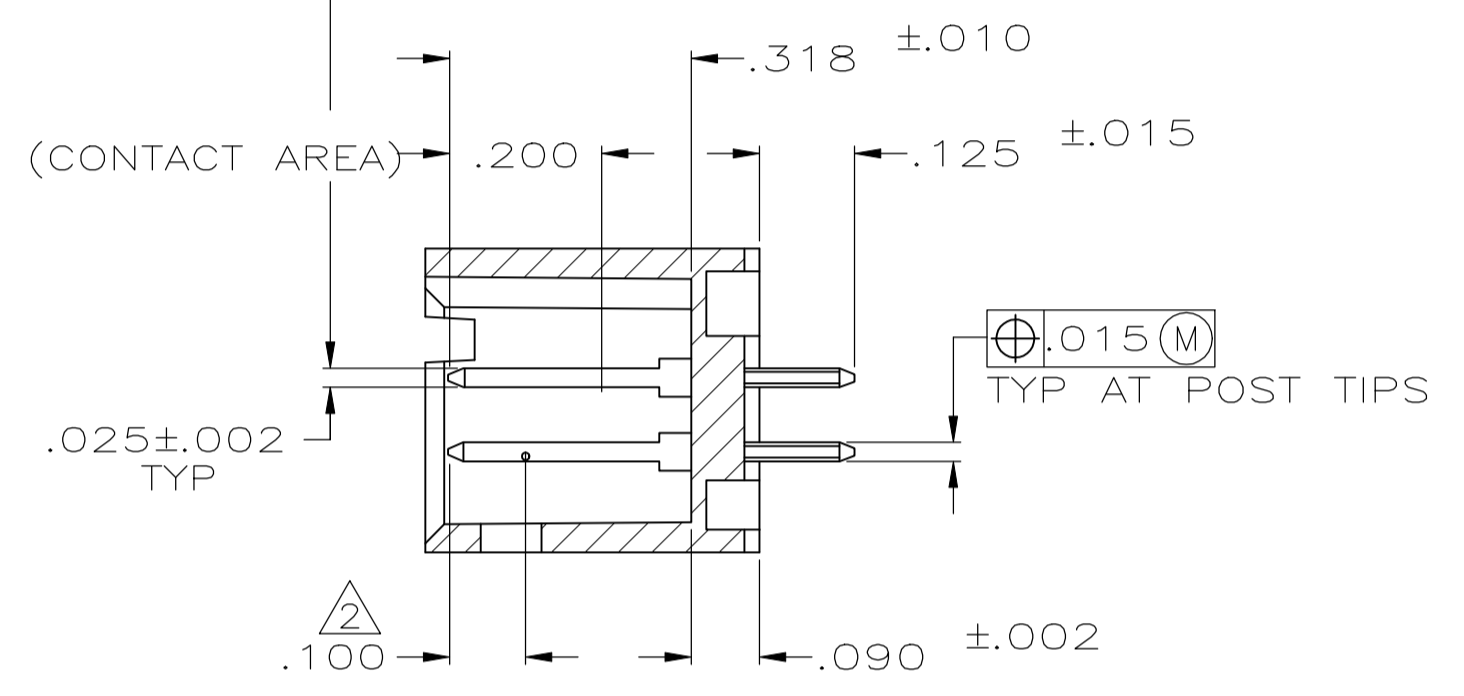
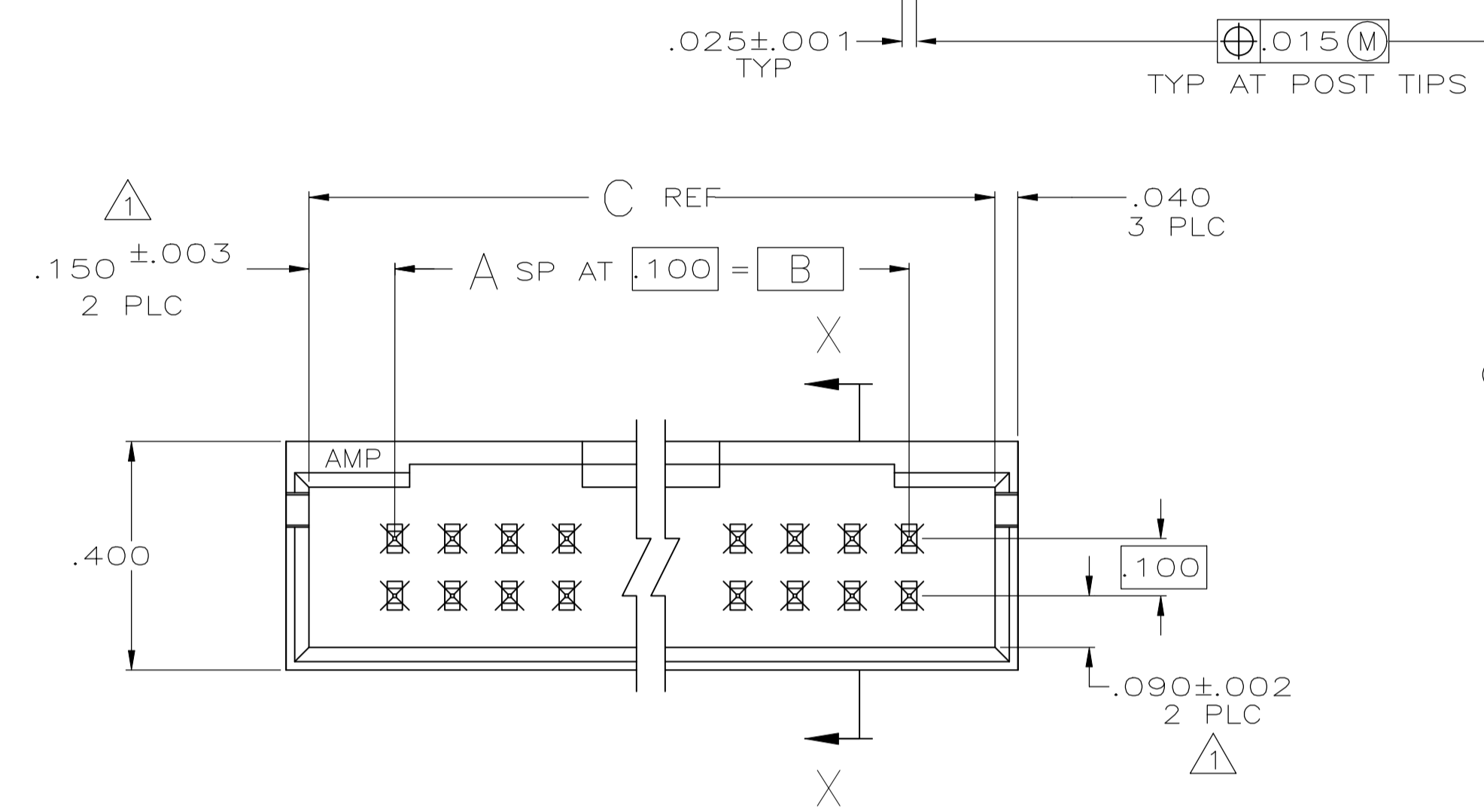
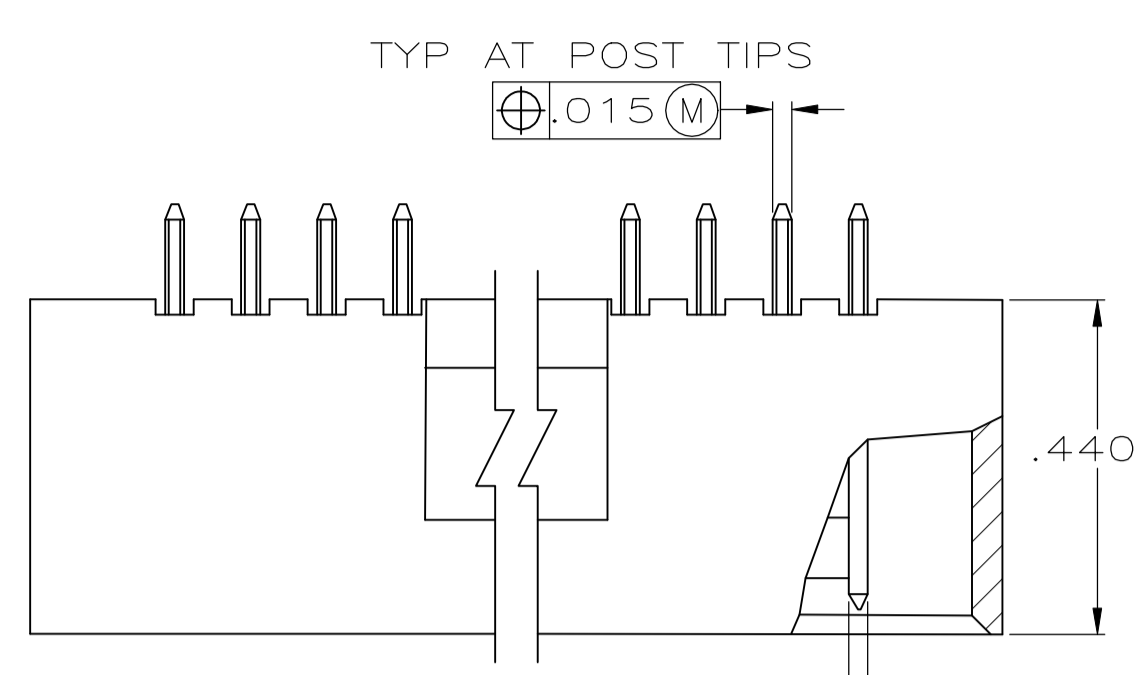
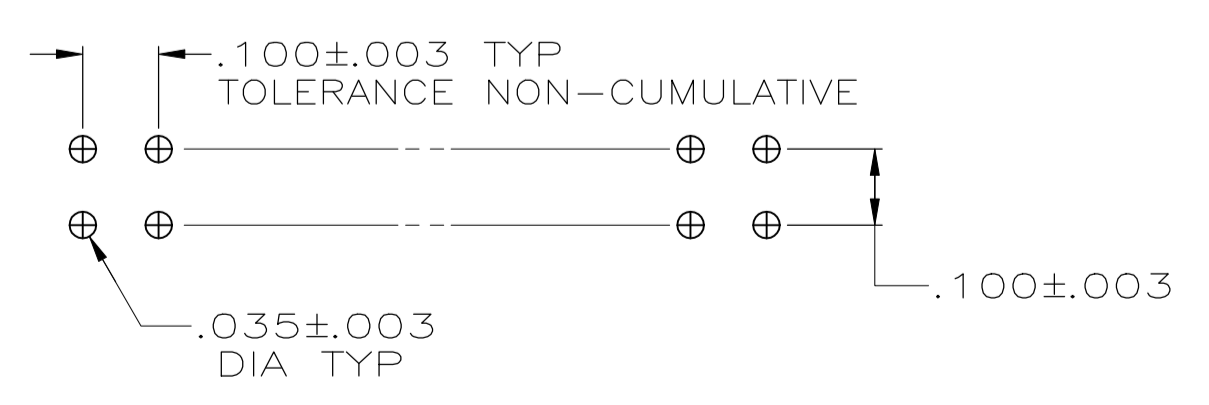
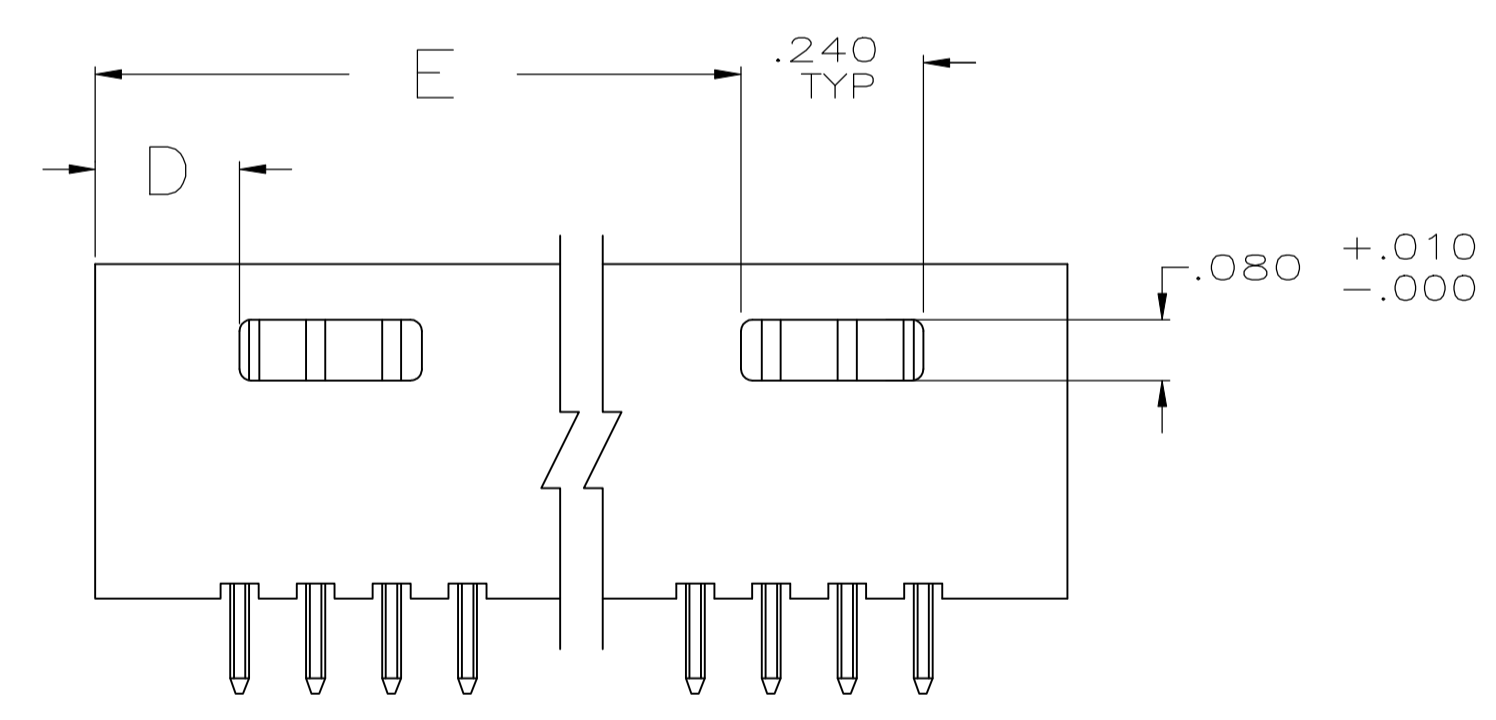


REVISIONS				
P	LTR	DESCRIPTION	DATE	APP'D
K3		PART STATUS UPDATED IN THE DRAWING	02AUG2018	KJK PS

- 1 THE NOTED DIMENSIONS APPLY AT THE INTERSECTION OF THE POST AND HOUSING
- 2 POINT OF MEASUREMENT FOR PLATING THICKNESS
- 3 MATERIAL: HOUSING- FLAME RETARDANT THERMOPLASTIC, COLOR- BLACK
POSTS- PHOS BRONZE
- 4 FINISH: POSTS- .000015 GOLD IN CONTACT AREA,
.000100-.000200 MATTE TIN-LEAD ON SOLDER TAIL,
ALL OVER .000050 NICKEL
- 5 FINISH: POSTS- .000015 GOLD IN CONTACT AREA,
.000100-.000200 MATTE TIN ON SOLDER TAIL,
ALL OVER .000050 NICKEL
- 6 OBSOLETE PARTS: OBSOLETE CIS STREAMLINING PER D.RENAUD/D.SINISI



SECTION X-X



RECOMMENDED HOLE LAYOUT

FINISH	E	D	C	B	A	NO OF POSN	ASSEMBLY PART NUMBER
6						72	8-102619-4
6						70	8-102619-3
6						68	8-102619-2
6						66	8-102619-1
6						64	8-102619-0
6						62	7-102619-9
6						60	7-102619-8
6						58	7-102619-7
6						56	7-102619-6
6						54	7-102619-5
6						52	7-102619-4
6						50	7-102619-3
6						48	7-102619-2
6						46	7-102619-1
6						44	7-102619-0
5						42	6-102619-9
5						40	6-102619-8
6						38	6-102619-7
6						36	6-102619-6
6						34	6-102619-5
6						32	6-102619-4
6						30	6-102619-3
6						28	6-102619-2
6						26	6-102619-1
6						24	6-102619-0
6						22	5-102619-9
6						20	5-102619-8
6						18	5-102619-7
6						16	5-102619-6
6						14	5-102619-5
6						12	5-102619-4
6						10	5-102619-3
6						8	5-102619-2
6						6	5-102619-1
6						3	3-102619-4
6						34	3-102619-3
6						33	3-102619-2
6						32	3-102619-1
6						31	3-102619-0
6						29	2-102619-9
6						28	2-102619-8
6						27	2-102619-7
6						26	2-102619-6
6						25	2-102619-5
6						24	2-102619-4
6						23	2-102619-3
6						22	2-102619-2
6						21	2-102619-1
6						20	2-102619-0
6						19	1-102619-9
6						18	1-102619-8
6						17	1-102619-7
6						16	1-102619-6
6						15	1-102619-5
6						14	1-102619-4
6						13	1-102619-3
6						12	1-102619-2
6						11	1-102619-1
6						10	1-102619-0
6						9	102619-9
6						8	102619-8
6						7	102619-7
6						6	102619-6
6						5	102619-5
6						4	102619-4
6						3	102619-3
6						2	102619-2
6						1	102619-1

SUPERCEDED BY 7-102619-3

SUPERCEDED BY 6-102619-8

SUPERCEDED BY 6-102619-5

SUPERCEDED BY 6-102619-3

SUPERCEDED BY 6-102619-1

SUPERCEDED BY 6-102619-0

SUPERCEDED BY 5-102619-9

SUPERCEDED BY 5-102619-8

SUPERCEDED BY 5-102619-7

SUPERCEDED BY 5-102619-6

SUPERCEDED BY 5-102619-5

SUPERCEDED BY 5-102619-4

SUPERCEDED BY 5-102619-3

SUPERCEDED BY 5-102619-2

SUPERCEDED BY 5-102619-1

THIS DRAWING IS A CONTROLLED DOCUMENT. DWN R BROWN 16AUG05
DHW J GESFORD 16AUG05
APVD J GESFORD 16AUG05 NAME
TE Connectivity Ltd.

DIMENSIONS: INCHES
0 PLC ±
1 PLC ±
2 PLC ±
3 PLC ±.005
4 PLC ±
ANGLES ±

TOLERANCES UNLESS OTHERWISE SPECIFIED:
SEE TABLE

PRODUCT SPEC
APPLICATION SPEC
WEIGHT

SCALE: 4:1
SHEET 1 OF 1
REV K3

SIZE CAGE CODE DRAWING NO RESTRICTED TO
A1 00779 C=102619

CUSTOMER DRAWING

X-ON Electronics

Largest Supplier of Electrical and Electronic Components

Click to view similar products for [Headers & Wire Housings](#) category:

Click to view products by [TE Connectivity](#) manufacturer:

Other Similar products are found below :

[892-18-020-10-001101](#) [58102-G61-06LF](#) [582553-1](#) [0009485154](#) [009176003701906](#) [0050291907](#) [LY20-4P-DT1-P1E-BR](#) [02.125.8002.8](#)
[609-3404](#) [61062-3](#) [61082-181009](#) [622-3653LF](#) [63453-116](#) [636-1030](#) [636-1427](#) [636-3427](#) [636-4007](#) [641938-9](#) [641991-4](#) [644827-2](#) [65817-010LF](#) [65817-015LF](#) [65863-015LF](#) [66207-023LF](#) [67095-007LF](#) [67601157](#) [68645-018](#) [68648-049](#) [70.362.1628.0](#) [70-4210](#) [70-4226B](#) [70-4853B](#) [707-5020](#) [707-5028](#) [71.350.2428.0](#) [71918-208LF](#) [71961-016LF](#) [733-134](#) [733-162](#) [754199-000](#) [760-3052](#) [787-8014-00](#) [79531-3000](#)
[FCN-360C032-B](#) [FCN-367T-T012/H](#) [FCN-723D010/2](#) [80.063.4001.1](#) [800-90-001-10-001000](#) [800-90-010-10-002000](#) [801-43-002-10-013000](#)