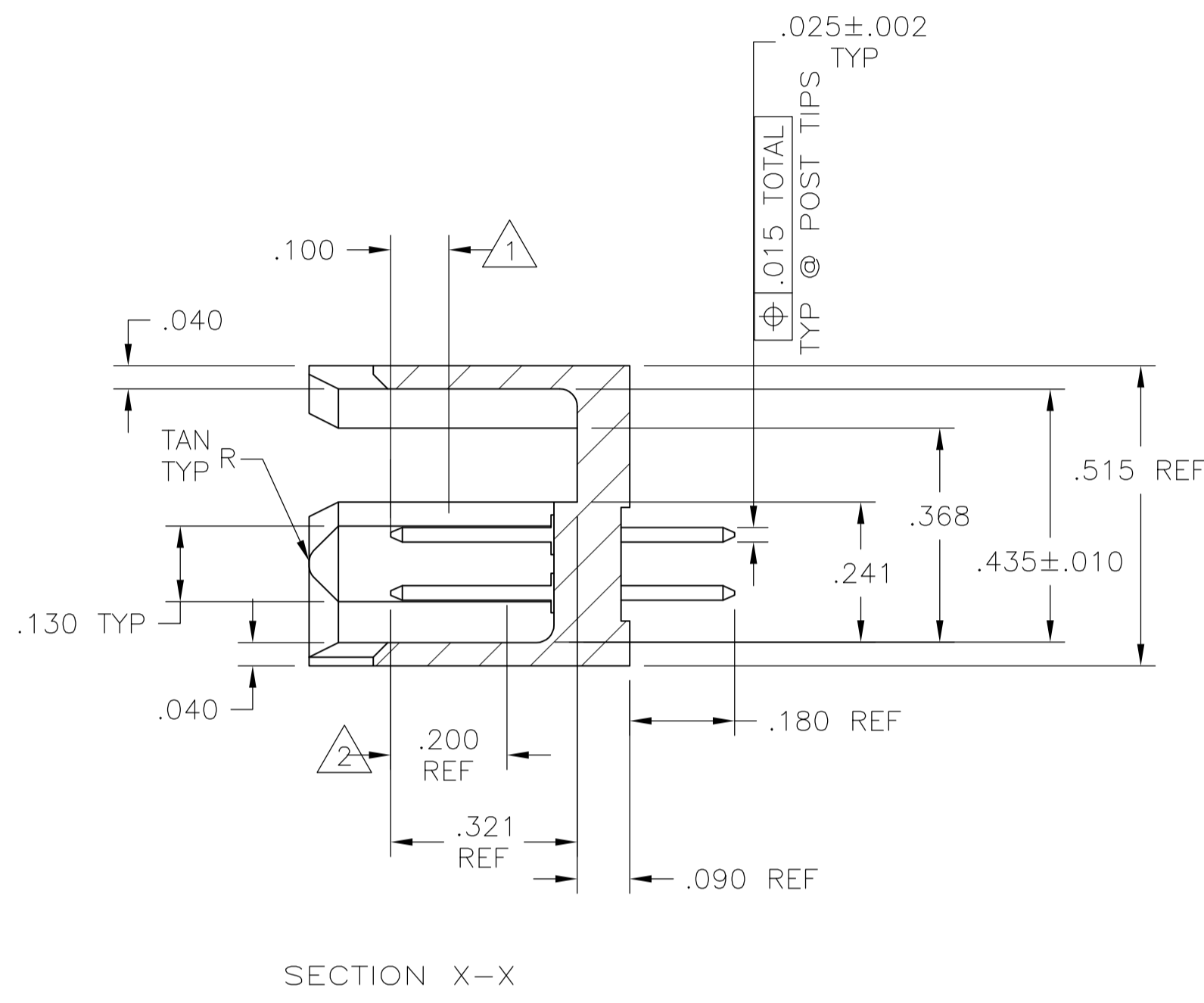
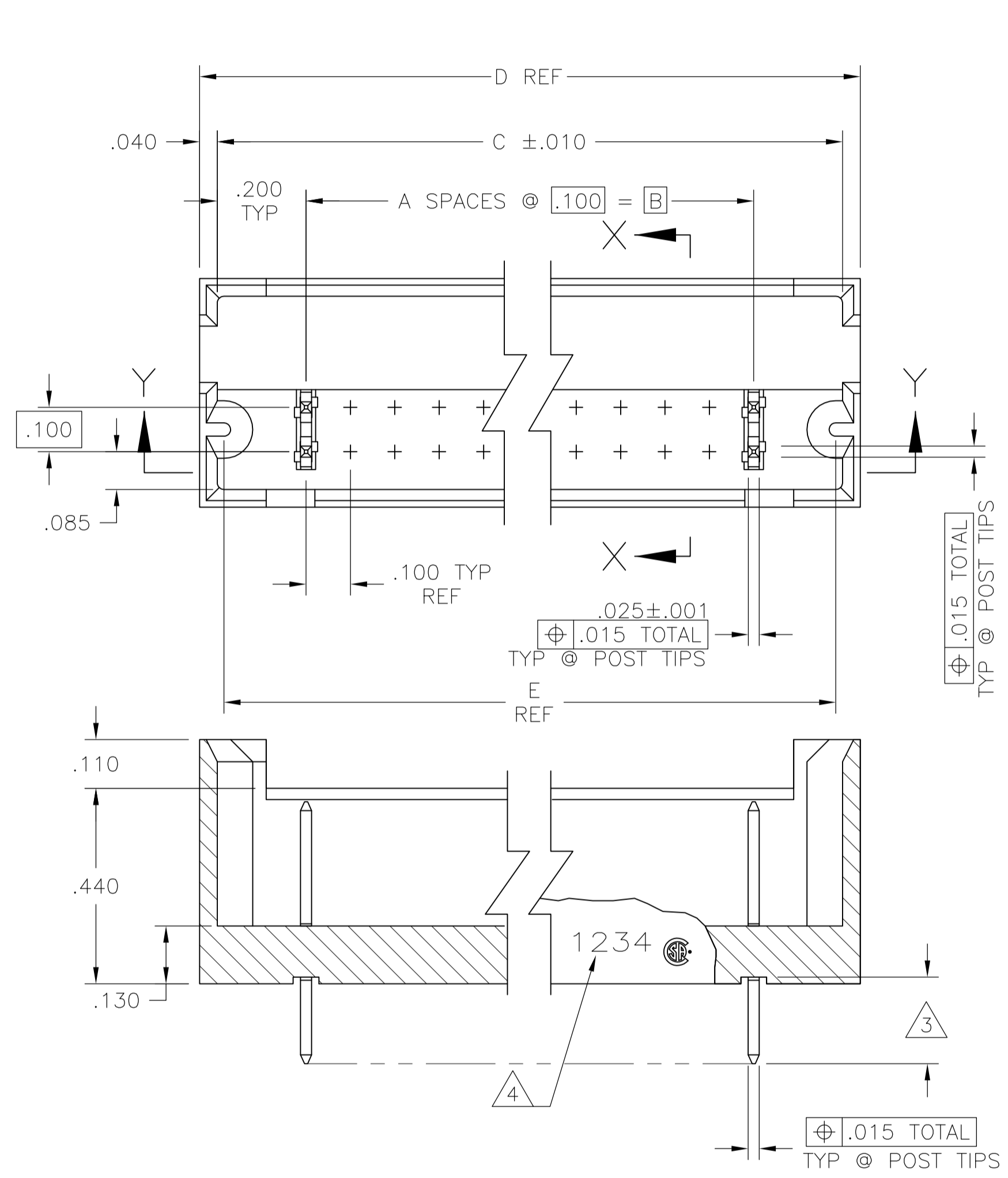
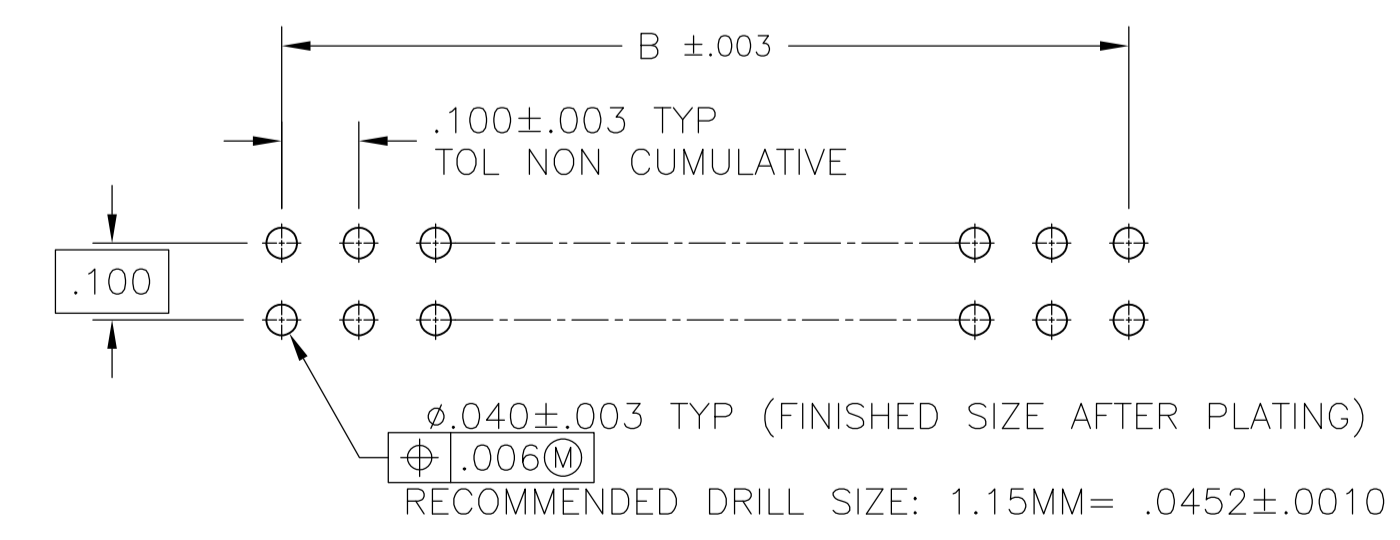


LOC		DIST		REVISIONS			
F	LTR	PER	ECO	DATE	DN	APVD	
LS	REVISED	PER	ECO-13-015097	25SEP2013	KH	JO	



- 1 POINT OF MEASUREMENT FOR PLATING THICKNESS.
- 2 FINISH OVER INDICATED AREA: .000030 GOLD OVER .000050 NICKEL.
- 3 FINISH OVER INDICATED AREA: .000100-.000200 BRIGHT TIN LEAD OVER .000050 NICKEL.
- 4 RECESSED DATE CODE AND LOGO.
- 5 OBSOLETE PART NUMBER.
- 6 PRELIMINARY PART - NOT RELEASED FOR PRODUCTION
- 7 FINISH OVER INDICATED AREA: .000100-.000200 MATTE TIN OVER .000050 NICKEL.
- 8 ROHS 2002/95/EC COMPLIANT
- 9 OBSOLETE PARTS: OBSOLETE CIS STREAMLINING PER D.RENAUD/D.SINISI



RECOMMENDED HOLE SIZE

NO. OF POSN	A	B	C ± .010	D	E	FINISH	PLATING	PLATING THICKNESS	DATE	DN	APVD	PART NUMBER
12	26	12	26	12	26	12	26	12	26	12	26	7-102692-9
79	160	79	160	79	160	79	160	79	160	79	160	7-102692-8
46	94	46	94	46	94	46	94	46	94	46	94	7-102692-7
21	44	21	44	21	44	21	44	21	44	21	44	7-102692-6
6	14	6	14	6	14	6	14	6	14	6	14	7-102692-5
89	180	89	180	89	180	89	180	89	180	89	180	7-102692-4
73	148	73	148	73	148	73	148	73	148	73	148	7-102692-3
63	128	63	128	63	128	63	128	63	128	63	128	7-102692-2
69	140	69	140	69	140	69	140	69	140	69	140	7-102692-1
64	130	64	130	64	130	64	130	64	130	64	130	7-102692-0
42	86	42	86	42	86	42	86	42	86	42	86	6-102692-9
35	72	35	72	35	72	35	72	35	72	35	72	6-102692-8
14	30	14	30	14	30	14	30	14	30	14	30	6-102692-7
9	20	9	20	9	20	9	20	9	20	9	20	6-102692-6
16	16	16	16	16	16	16	16	16	16	16	16	6-102692-5
34	70	34	70	34	70	34	70	34	70	34	70	6-102692-4
19	40	19	40	19	40	19	40	19	40	19	40	6-102692-3
49	90	49	90	49	90	49	90	49	90	49	90	6-102692-2
99	200	99	200	99	200	99	200	99	200	99	200	6-102692-1
54	110	54	110	54	110	54	110	54	110	54	110	6-102692-0
59	120	59	120	59	120	59	120	59	120	59	120	5-102692-9
49	100	49	100	49	100	49	100	49	100	49	100	5-102692-8
47	96	47	96	47	96	47	96	47	96	47	96	5-102692-7
80	80	80	80	80	80	80	80	80	80	80	80	5-102692-6
39	60	39	60	39	60	39	60	39	60	39	60	5-102692-5
29	60	29	60	29	60	29	60	29	60	29	60	5-102692-4
17	36	17	36	17	36	17	36	17	36	17	36	5-102692-3
11	24	11	24	11	24	11	24	11	24	11	24	5-102692-2
5	12	5	12	5	12	5	12	5	12	5	12	5-102692-1
12	26	12	26	12	26	12	26	12	26	12	26	2-102692-9
79	160	79	160	79	160	79	160	79	160	79	160	2-102692-8
46	94	46	94	46	94	46	94	46	94	46	94	2-102692-7
21	44	21	44	21	44	21	44	21	44	21	44	2-102692-6
6	14	6	14	6	14	6	14	6	14	6	14	2-102692-5
89	180	89	180	89	180	89	180	89	180	89	180	2-102692-4
73	148	73	148	73	148	73	148	73	148	73	148	2-102692-3
63	128	63	128	63	128	63	128	63	128	63	128	2-102692-2
69	140	69	140	69	140	69	140	69	140	69	140	2-102692-1
64	130	64	130	64	130	64	130	64	130	64	130	2-102692-0
42	86	42	86	42	86	42	86	42	86	42	86	1-102692-9
35	72	35	72	35	72	35	72	35	72	35	72	1-102692-8
14	30	14	30	14	30	14	30	14	30	14	30	1-102692-7
9	20	9	20	9	20	9	20	9	20	9	20	1-102692-6
16	16	16	16	16	16	16	16	16	16	16	16	1-102692-5
34	70	34	70	34	70	34	70	34	70	34	70	1-102692-4
19	40	19	40	19	40	19	40	19	40	19	40	1-102692-3
49	90	49	90	49	90	49	90	49	90	49	90	1-102692-2
99	200	99	200	99	200	99	200	99	200	99	200	1-102692-1
54	110	54	110	54	110	54	110	54	110	54	110	1-102692-0
59	120	59	120	59	120	59	120	59	120	59	120	102692-9
49	100	49	100	49	100	49	100	49	100	49	100	102692-8
47	96	47	96	47	96	47	96	47	96	47	96	102692-7
80	80	80	80	80	80	80	80	80	80	80	80	102692-6
39	60	39	60	39	60	39	60	39	60	39	60	102692-5
29	60	29	60	29	60	29	60	29	60	29	60	102692-4
17	36	17	36	17	36	17	36	17	36	17	36	102692-3
11	24	11	24	11	24	11	24	11	24	11	24	102692-2
5	12	5	12	5	12	5	12	5	12	5	12	102692-1

THIS DRAWING IS A CONTROLLED DOCUMENT.

STE TE Connectivity

HEADER ASSEMBLY, MOD II, .100C.100CL, .025 SQ POSTS

APVD: J. GESFORD 12NOV98

DATE: 11JAN01

BY: B. HAYMAKER 12NOV98

CHK: J. GESFORD 12NOV98

NAME: J. GESFORD

PRODUCT SPEC: -

APPLICATION SPEC: -

SIZE: A1

CAGE CODE: 00779

DRAWING NO: 102692

RESTRICTED TO: -

WEIGHT: -

CUSTOMER DRAWING

SCALE: 4:1

SHEET: 1 of 1

REV: 15

X-ON Electronics

Largest Supplier of Electrical and Electronic Components

Click to view similar products for [Board to Board & Mezzanine Connectors](#) category:

Click to view products by [TE Connectivity](#) manufacturer:

Other Similar products are found below :

[589158040000018](#) [FCN-230C068-11](#) [FCN-268F012-G/BD](#) [FCN-268F036-G/BD](#) [FCN-268M012-G/0D](#) [FCN-268M024-G/1D](#) [FCN-723J004/1](#) [MIS-048-01-F-D-DP-K](#) [832-10-034-10-001000](#) [FX4C-80S-1.27DSA](#) [FCN-214Q030-G/0](#) [FCN-234P048-G/0](#) [FCN-235D050-G/C](#) [210-93-314-41-105000](#) [2-22603-0](#) [MDF7-40DP-2.54DSA\(55\)](#) [AXG720047](#) [5031084030](#) [MIT-114-03-F-D-K](#) [55323-1519](#) [DF33-2P-3.3DSA\(24\)](#) [YFT-20-05-H-03-SB-K](#) [503308-3040](#) [026-6203-PDB](#) [027-6203-PDB](#) [069159702701000](#) [10123981-102LF](#) [101A10019X](#) [55650-0588-C](#) [68684-306](#) [75140-7012](#) [589159005003045](#) [194261-1](#) [FCN-268F024-G0D](#) [10124054-515LF](#) [68685-603](#) [8-1616154-3](#) [MIS-019-01-F-D](#) [589159005002045](#) [541371078](#) [IL-WX-10PB-HF-B-E1000E](#) [FCN-268M024-G/3D](#) [20021832-06016C1LF](#) [KX15-20KLDL-E1000E](#) [MDF7-16DP-2.54DSA\(55\)](#) [AXE810124](#) [FCN-214J100-G/0](#) [FCN-230C068-E/S](#) [AXE812124](#) [AXE816124](#)