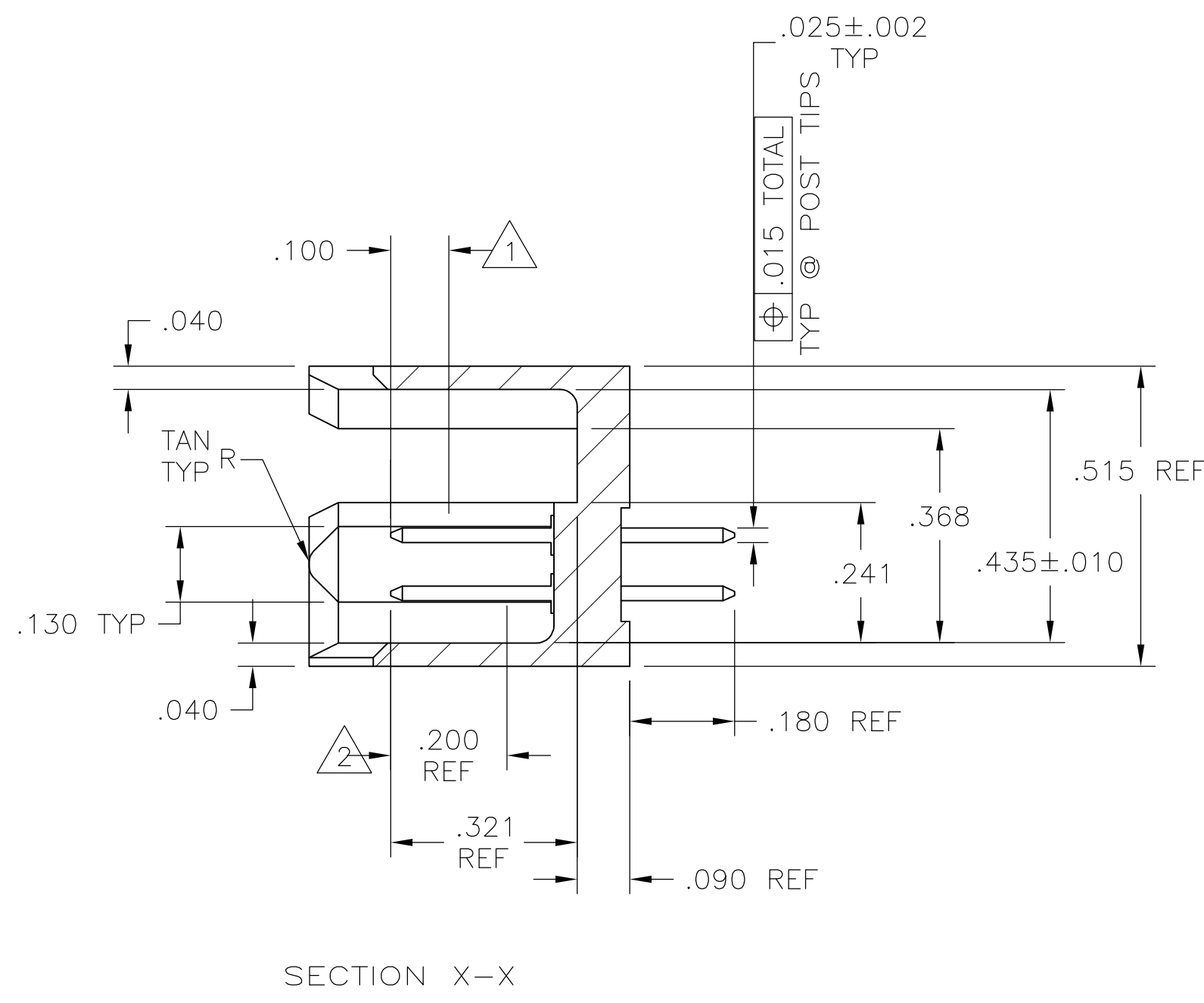
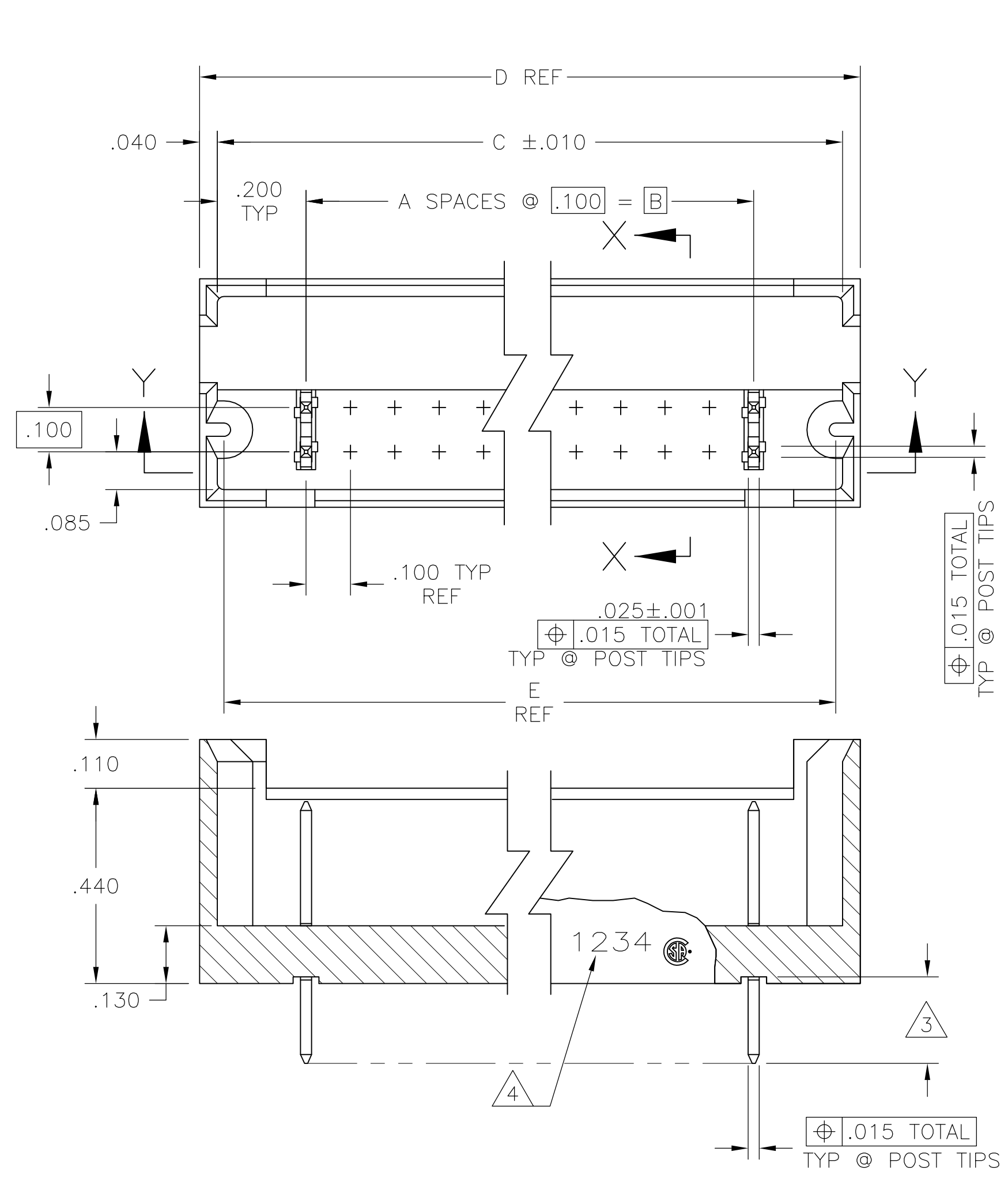
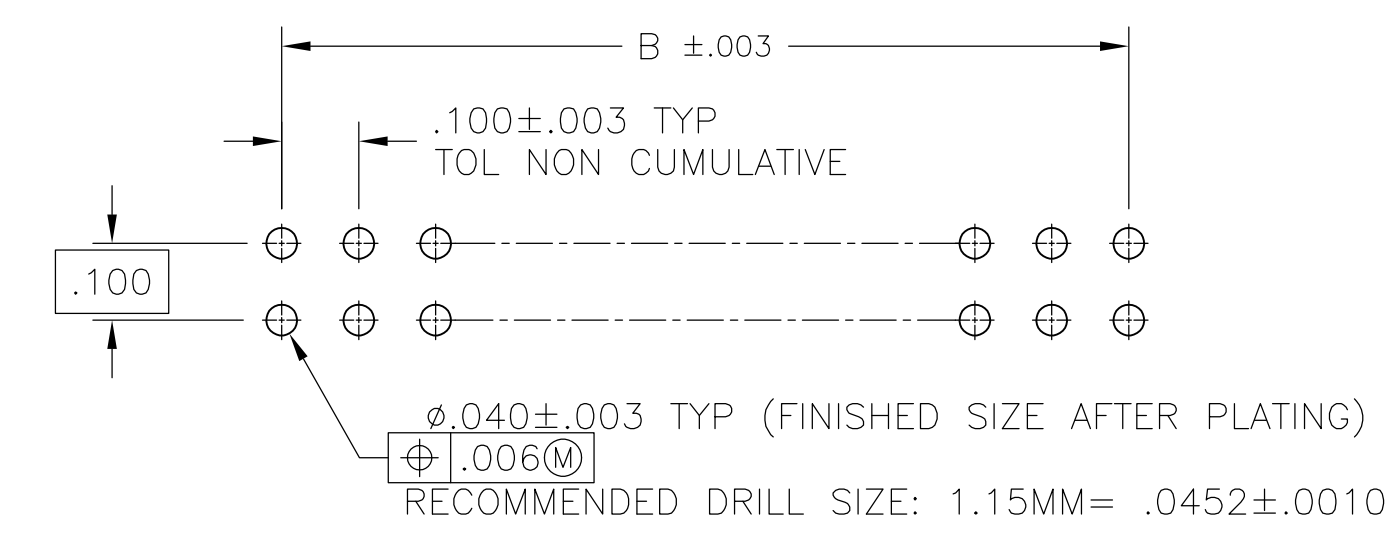


| LOC |         | DIST |               | REVISIONS |    |      |  |
|-----|---------|------|---------------|-----------|----|------|--|
| F   | LTR     | PER  | ECO           | DATE      | DN | APVD |  |
| LS  | REVISED | PER  | ECO-13-015097 | 25SEP2013 | KH | JO   |  |



- 1 POINT OF MEASUREMENT FOR PLATING THICKNESS.
- 2 FINISH OVER INDICATED AREA: .000030 GOLD OVER .000050 NICKEL.
- 3 FINISH OVER INDICATED AREA: .000100-.000200 BRIGHT TIN LEAD OVER .000050 NICKEL.
- 4 RECESSED DATE CODE AND LOGO.
- 5 OBSOLETE PART NUMBER.
- 6 PRELIMINARY PART - NOT RELEASED FOR PRODUCTION
- 7 FINISH OVER INDICATED AREA: .000100-.000200 MATTE TIN OVER .000050 NICKEL.
- 8 ROHS 2002/95/EC COMPLIANT
- 9 OBSOLETE PARTS: OBSOLETE CIS STREAMLINING PER D.RENAUD/D.SINISI



| NO. OF POSN | A   | B  | C ±.010 | D     | E      | PART NUMBER |
|-------------|-----|----|---------|-------|--------|-------------|
| 12          | 26  | 12 | 1.600   | 1.200 | 1.570  | 7-102692-9  |
| 79          | 160 | 79 | 8.300   | 7.900 | 8.270  | 7-102692-8  |
| 46          | 94  | 46 | 5.000   | 4.600 | 4.970  | 7-102692-7  |
| 21          | 44  | 21 | 2.500   | 2.100 | 2.470  | 7-102692-6  |
| 6           | 14  | 6  | 1.000   | .600  | .970   | 7-102692-5  |
| 89          | 180 | 89 | 9.300   | 8.900 | 9.270  | 7-102692-4  |
| 73          | 148 | 73 | 7.700   | 7.300 | 7.670  | 7-102692-3  |
| 63          | 128 | 63 | 6.700   | 6.300 | 6.670  | 7-102692-2  |
| 69          | 140 | 69 | 7.300   | 6.900 | 7.270  | 7-102692-1  |
| 64          | 130 | 64 | 6.800   | 6.400 | 6.770  | 7-102692-0  |
| 42          | 86  | 42 | 4.600   | 4.200 | 4.570  | 6-102692-9  |
| 35          | 72  | 35 | 3.900   | 3.500 | 3.870  | 6-102692-8  |
| 14          | 30  | 14 | 1.800   | 1.400 | 1.770  | 6-102692-7  |
| 9           | 20  | 9  | 1.300   | .900  | 1.270  | 6-102692-6  |
| 7           | 16  | 7  | 1.100   | .700  | 1.070  | 6-102692-5  |
| 34          | 70  | 34 | 3.800   | 3.400 | 3.770  | 6-102692-4  |
| 19          | 40  | 19 | 2.300   | 1.900 | 2.270  | 6-102692-3  |
| 49          | 90  | 49 | 4.800   | 4.400 | 4.770  | 6-102692-2  |
| 99          | 200 | 99 | 10.300  | 9.900 | 10.270 | 6-102692-1  |
| 54          | 110 | 54 | 5.800   | 5.400 | 5.770  | 6-102692-0  |
| 59          | 120 | 59 | 6.300   | 5.900 | 6.270  | 5-102692-9  |
| 49          | 100 | 49 | 5.300   | 4.900 | 5.270  | 5-102692-8  |
| 47          | 96  | 47 | 5.100   | 4.700 | 5.070  | 5-102692-7  |
| 39          | 80  | 39 | 4.300   | 3.900 | 4.270  | 5-102692-6  |
| 29          | 60  | 29 | 3.300   | 2.900 | 3.270  | 5-102692-5  |
| 24          | 50  | 24 | 2.800   | 2.400 | 2.770  | 5-102692-4  |
| 17          | 36  | 17 | 2.100   | 1.700 | 2.070  | 5-102692-3  |
| 11          | 24  | 11 | 1.500   | 1.100 | 1.470  | 5-102692-2  |
| 5           | 12  | 5  | .900    | .500  | .870   | 5-102692-1  |
| 12          | 26  | 12 | 1.600   | 1.200 | 1.570  | 2-102692-9  |
| 79          | 160 | 79 | 8.300   | 7.900 | 8.270  | 2-102692-8  |
| 46          | 94  | 46 | 5.000   | 4.600 | 4.970  | 2-102692-7  |
| 21          | 44  | 21 | 2.500   | 2.100 | 2.470  | 2-102692-6  |
| 6           | 14  | 6  | 1.000   | .600  | .970   | 2-102692-5  |
| 89          | 180 | 89 | 9.300   | 8.900 | 9.270  | 2-102692-4  |
| 73          | 148 | 73 | 7.700   | 7.300 | 7.670  | 2-102692-3  |
| 63          | 128 | 63 | 6.700   | 6.300 | 6.670  | 2-102692-2  |
| 69          | 140 | 69 | 7.300   | 6.900 | 7.270  | 2-102692-1  |
| 64          | 130 | 64 | 6.800   | 6.400 | 6.770  | 2-102692-0  |
| 42          | 86  | 42 | 4.600   | 4.200 | 4.570  | 1-102692-9  |
| 35          | 72  | 35 | 3.900   | 3.500 | 3.870  | 1-102692-8  |
| 14          | 30  | 14 | 1.800   | 1.400 | 1.770  | 1-102692-7  |
| 9           | 20  | 9  | 1.300   | .900  | 1.270  | 1-102692-6  |
| 7           | 16  | 7  | 1.100   | .700  | 1.070  | 1-102692-5  |
| 34          | 70  | 34 | 3.800   | 3.400 | 3.770  | 1-102692-4  |
| 19          | 40  | 19 | 2.300   | 1.900 | 2.270  | 1-102692-3  |
| 49          | 90  | 49 | 4.800   | 4.400 | 4.770  | 1-102692-2  |
| 99          | 200 | 99 | 10.300  | 9.900 | 10.270 | 1-102692-1  |
| 54          | 110 | 54 | 5.800   | 5.400 | 5.770  | 1-102692-0  |
| 59          | 120 | 59 | 6.300   | 5.900 | 6.270  | 102692-9    |
| 49          | 100 | 49 | 5.300   | 4.900 | 5.270  | 102692-8    |
| 47          | 96  | 47 | 5.100   | 4.700 | 5.070  | 102692-7    |
| 39          | 80  | 39 | 4.300   | 3.900 | 4.270  | 102692-6    |
| 29          | 60  | 29 | 3.300   | 2.900 | 3.270  | 102692-5    |
| 24          | 50  | 24 | 2.800   | 2.400 | 2.770  | 102692-4    |
| 17          | 36  | 17 | 2.100   | 1.700 | 2.070  | 102692-3    |
| 11          | 24  | 11 | 1.500   | 1.100 | 1.470  | 102692-2    |
| 5           | 12  | 5  | .900    | .500  | .870   | 102692-1    |

THIS DRAWING IS A CONTROLLED DOCUMENT.

DIMENSIONS: INCHES  
 TOLERANCES UNLESS OTHERWISE SPECIFIED:  
 0 PLC ± -  
 1 PLC ± -  
 2 PLC ± -  
 3 PLC ± .005  
 4 PLC ± -  
 ANGLES ± -

MATERIAL: HEADERS: GLASS FILLED FLAME RETARDANT THERMOPLASTIC COLOR: BLACK POST: COPPER ALLOY  
 FINISH: SEE TABLE

DWG: B. HAYMAKER 11JAN11  
 CHK: J. GESFORD 12NOV98  
 APVD: J. GESFORD 12NOV98  
 NAME:

**STE** TE Connectivity  
 HEADER ASSEMBLY, MOD II, .100C.100CL, .025 SQ POSTS  
 PRODUCT SPEC:

APPLICATION SPEC:

SIZE: A1  
 CAGE CODE: 00779  
 DRAWING NO: 102692  
 WEIGHT:

CUSTOMER DRAWING  
 SCALE: 4:1  
 SHEET: 1 of 1  
 REV: L5

## X-ON Electronics

Largest Supplier of Electrical and Electronic Components

*Click to view similar products for [Board to Board & Mezzanine Connectors](#) category:*

*Click to view products by [TE Connectivity](#) manufacturer:*

Other Similar products are found below :

[589158040000018](#) [MDF7C-18P-2.54DSA\(55\)](#) [FCN-230C068-11](#) [FCN-268F012-G/BD](#) [FCN-268F036-G/BD](#) [FCN-268M012-G/0D](#) [FCN-268M024-G/1D](#) [FCN-723J004/1](#) [MIS-048-01-F-D-DP-K](#) [832-10-034-10-001000](#) [FX4C-80S-1.27DSA](#) [FCN-214Q030-G/0](#) [FCN-234P048-G/0](#) [FCN-235D050-G/C](#) [210-93-314-41-105000](#) [2-22603-0](#) [MDF7-40DP-2.54DSA\(55\)](#) [AXG720047](#) [5031084030](#) [MIT-114-03-F-D-K](#) [55323-1519](#) [DF33-2P-3.3DSA\(24\)](#) [YFT-20-05-H-03-SB-K](#) [503308-3040](#) [026-6203-PDB](#) [027-6203-PDB](#) [069159702701000](#) [10123981-102LF](#) [101A10019X](#) [55650-0588-C](#) [68682-310LF](#) [68684-306](#) [75140-7012](#) [87471-650](#) [194261-1](#) [FCN-268F024-G0D](#) [10124054-515LF](#) [68685-603](#) [8-1616154-3](#) [MIS-019-01-F-D](#) [FCN-268M024-G/3D](#) [20021832-06016C1LF](#) [KX15-20KLDL-E1000E](#) [MDF7-16DP-2.54DSA\(55\)](#) [AXE810124](#) [FCN-214J100-G/0](#) [FCN-230C068-E/S](#) [AXE812124](#) [AXE816124](#) [AXE720127](#)