

4

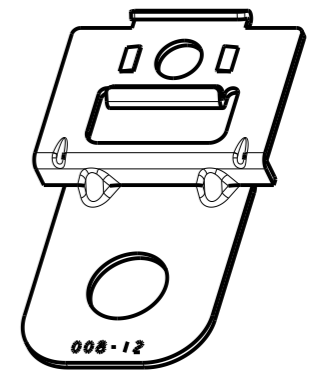
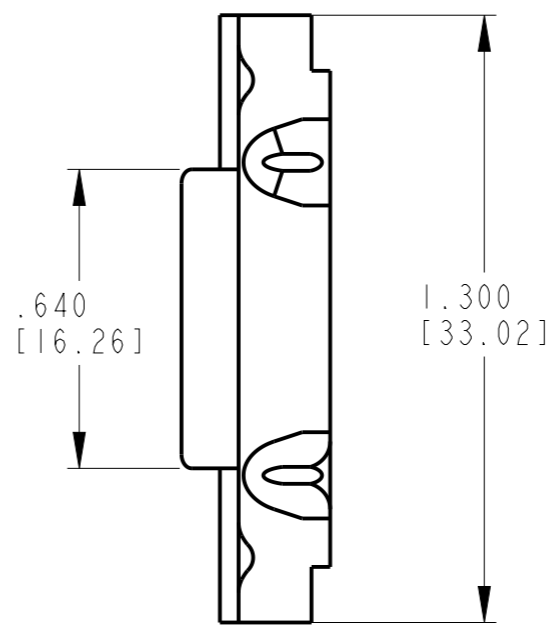
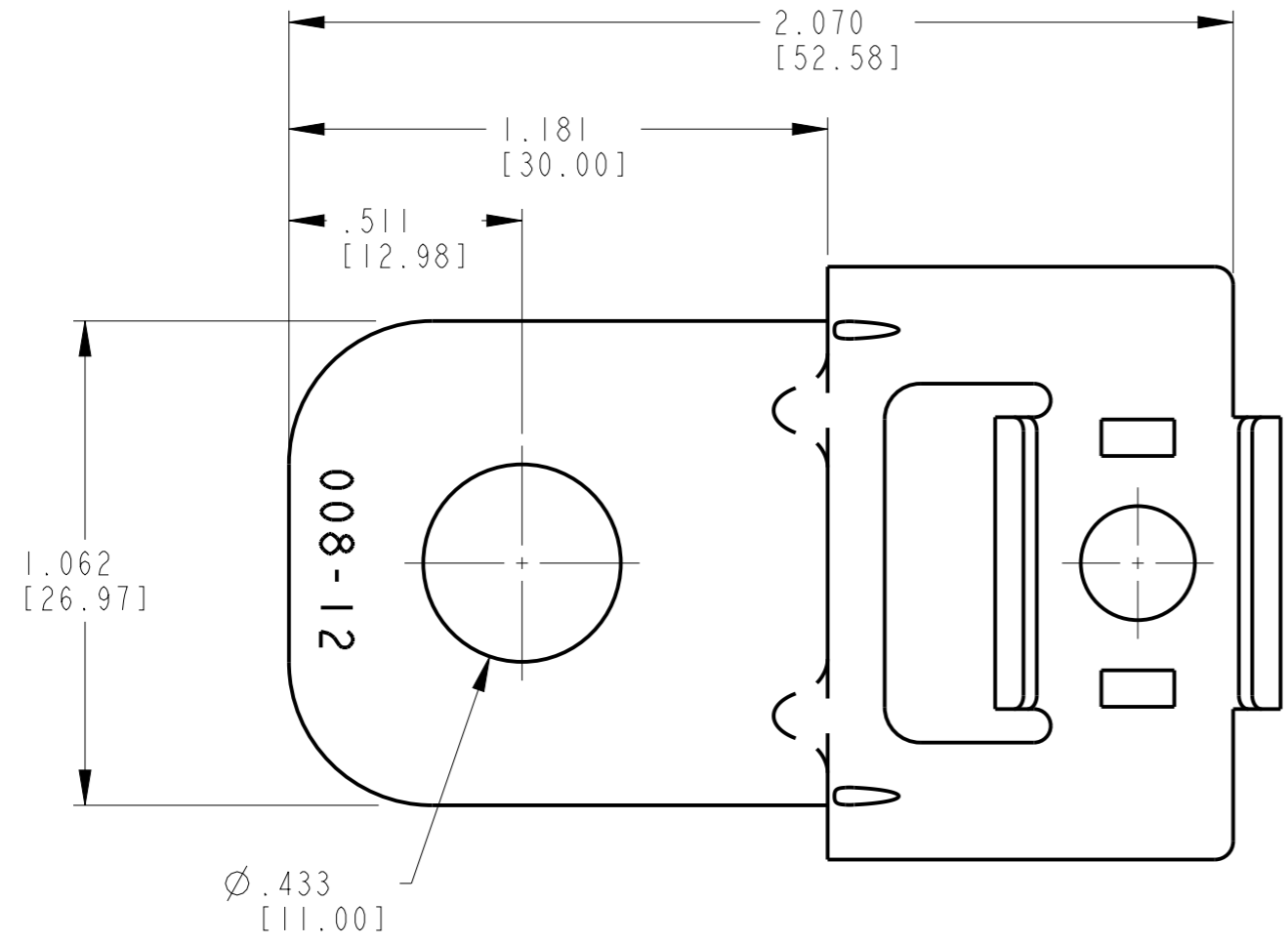
3

2

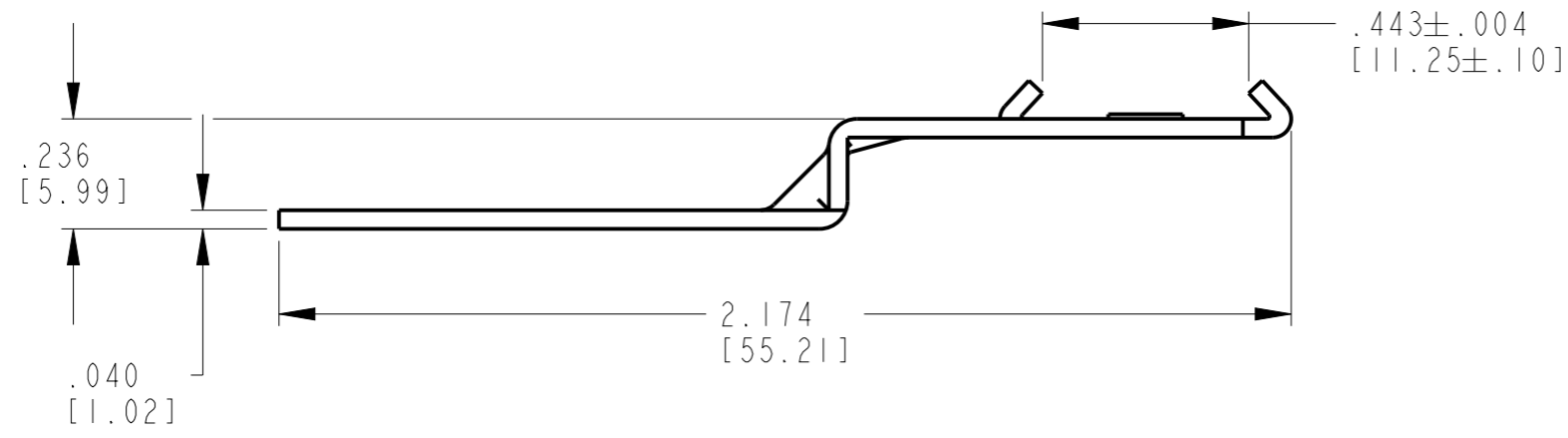
1

THIS DRAWING IS UNPUBLISHED
 (C) COPYRIGHT 2015 BY TE CONNECTIVITY ALL RIGHTS RESERVED.
 RELEASED FOR PUBLICATION 2015

LOC	DIST	REVISIONS			
P	LTR	DESCRIPTION	DATE	DWN	APVD
	A	NEW RELEASE	23DEC2015	DH	DM
	AI	REVISED PER PCN E-21-001566	11FEB2021	MK	IG



3D VIEW



3. PART IS IN ACCORDANCE WITH RoHS STANDARDS.
2. CLIP RETENTION FORCE SHALL BE 20 LBF [89] MINIMUM.
1. THIS PART MATES WITH DT, DTM, DTP, DTHD, DTCE RECEPTACLES OR OTHER PARTS WITH THE CLIP RETENTION FEATURE.

NOTES: UNLESS OTHERWISE SPECIFIED

THIS DRAWING IS A CONTROLLED DOCUMENT.		DWN D. HASIBUAN 12NOV2015														
DIMENSIONS: INCHES [mm]		CHK D. MEYER 23DEC2015														
TOLERANCES UNLESS OTHERWISE SPECIFIED:		APVD D. MEYER 23DEC2015	NAME METAL CLIP, 1MM HOLE SIDE MOUNTING BRACKET													
<table border="0"> <tr><td>0 PLC</td><td>±</td></tr> <tr><td>1 PLC</td><td>±</td></tr> <tr><td>2 PLC</td><td>±</td></tr> <tr><td>3 PLC</td><td>±.025 [0.64]</td></tr> <tr><td>4 PLC</td><td>±</td></tr> <tr><td>ANGLES</td><td>±0°30'0"</td></tr> </table>		0 PLC	±	1 PLC	±	2 PLC	±	3 PLC	±.025 [0.64]	4 PLC	±	ANGLES	±0°30'0"	PRODUCT SPEC -	RESTRICTED TO -	
0 PLC	±															
1 PLC	±															
2 PLC	±															
3 PLC	±.025 [0.64]															
4 PLC	±															
ANGLES	±0°30'0"															
MATERIAL STEEL		FINISH ZINC	APPLICATION SPEC 114-151009	SIZE A3												
		WEIGHT 12.1g	CAGE CODE 4AFU8	DRAWING NO 1027-008-1200												
		CUSTOMER DRAWING	SCALE NONE	SHEET 1 OF 1												
			REV AI													

X-ON Electronics

Largest Supplier of Electrical and Electronic Components

Click to view similar products for [Automotive Connectors](#) category:

Click to view products by [TE Connectivity](#) manufacturer:

Other Similar products are found below :

[003-018-000](#) [60403001](#) [60993906-B](#) [M902-2131](#) [M902-2161](#) [M902-2344](#) [72.330.1035.1](#) [73.353.4028.0](#) [F119300-B](#) [F166900](#) [F258300-B](#)
[F358300-B](#) [F407400](#) [F444110](#) [F487000](#) [F509500B-B](#) [827153-1](#) [8N1515-32-24P](#) [9-1326729-8](#) [925474-1](#) [928905-1](#) [964562-4](#) [968782-1](#)
[GT17SA-8DS-HU](#) [98891-1012](#) [98947-1016](#) [12004147](#) [12004475-L](#) [12010290](#) [12015454](#) [12020219-B](#) [12041318-B](#) [12052225-L](#) [12052466](#)
[12064869](#) [12004327-B](#) [12015308](#) [12015384](#) [12015909](#) [1-21030-1](#) [12041254](#) [12041318](#) [12047946-B](#) [12047957](#) [12047957-L](#) [12059473](#)
[12066261](#) [12110546](#) [12110546-B](#) [12131792](#)