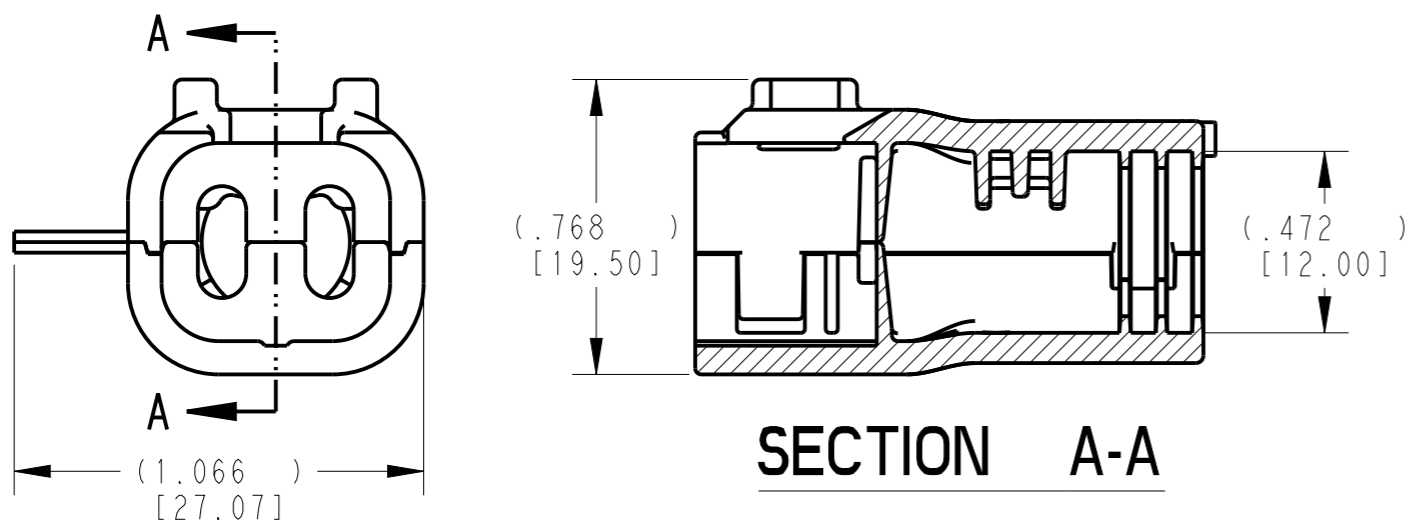
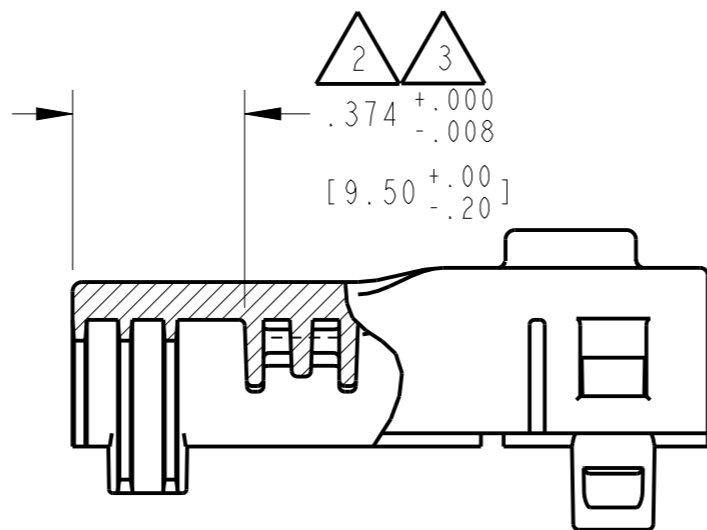
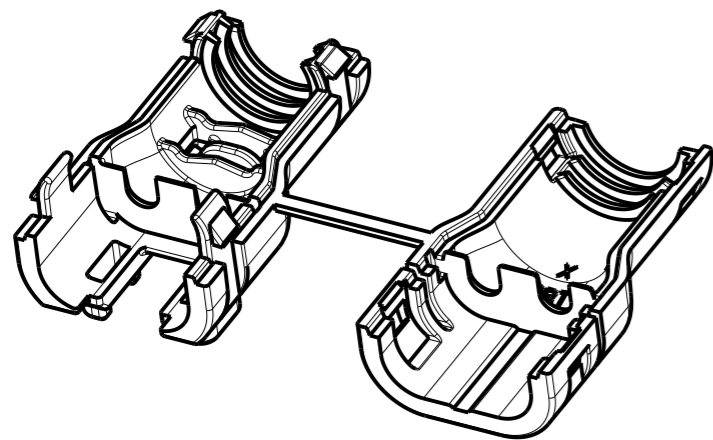
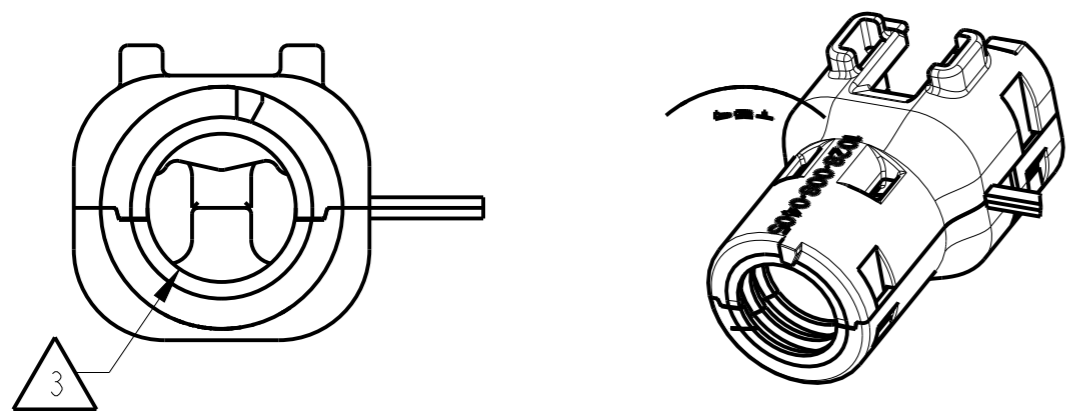
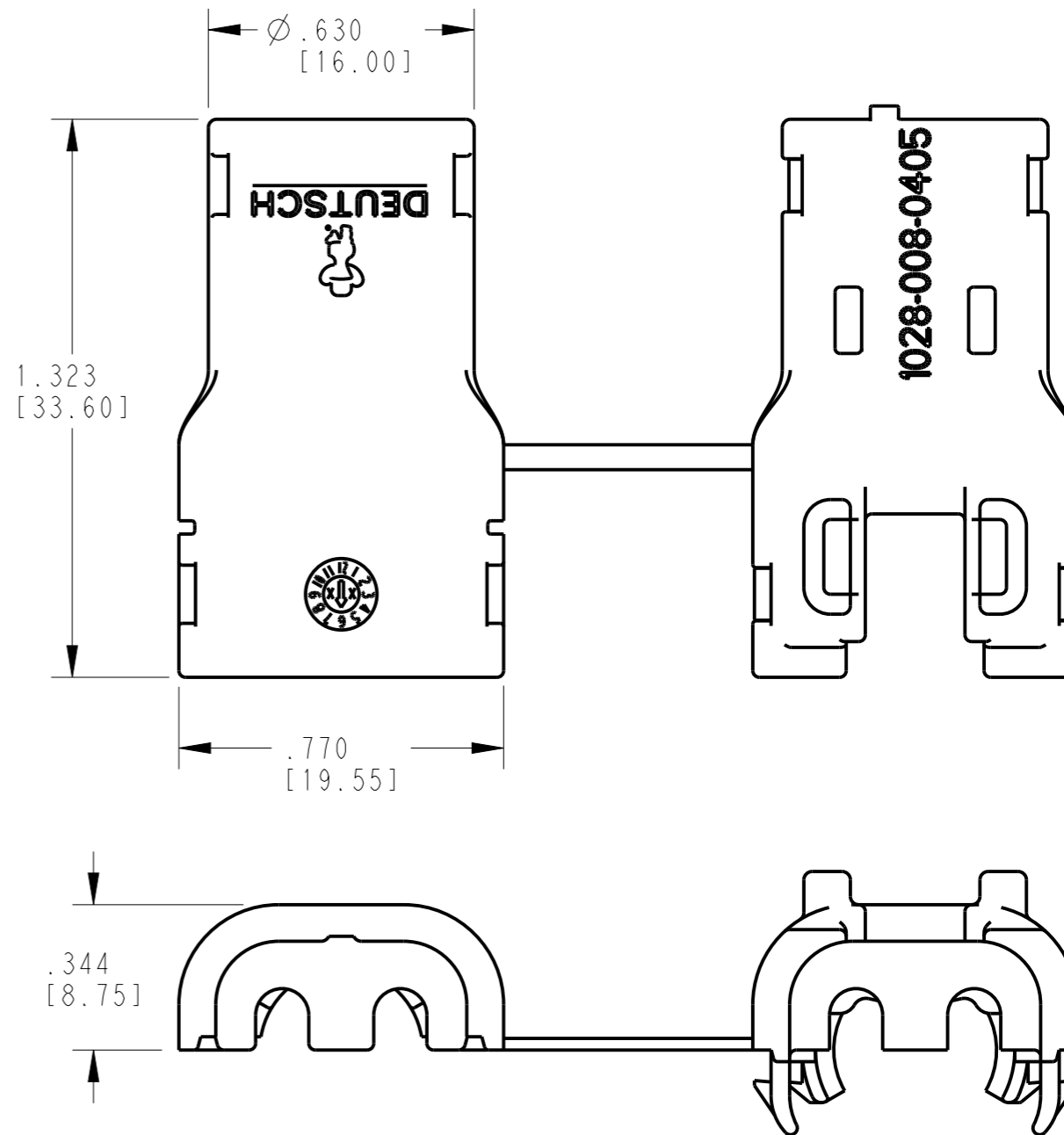


LOC		DIST		REVISIONS			
P	LTR	DESCRIPTION		DATE	DWN	APVD	
	A	NEW RELEASE PER ECO-14-004343		27MAR2014	JA	DM	

CLOSED MOUNTED CONDITION AS SHOWN



SECTION A-A




△3 FOR CORRUGATED TUBES NW 8.5.

△2 DIMENSION SHOWN INDICATES PROPER DEPTH TO ASSEMBLE NOTED CONVOLUTE TUBE SIZE.

1. THIS PART MATES WITH DTM06-4S-\*\*\*\* AND DTMH06-4S-\*\*\*\* PLUG WITH ANY MODIFICATION THAT DOES NOT INCLUDE AN END CAP. (\*\*\*\* = MODIFICATION)

NOTES:

THIS DRAWING IS A CONTROLLED DOCUMENT.		DWN 27MAR2014 JAIME APOSTOL	 TE Connectivity	
DIMENSIONS: INCHES [mm]		CHK 27MAR2014 ROBERT MILLIGAN		
TOLERANCES UNLESS OTHERWISE SPECIFIED:		APVD 27MAR2014 DAVID MEYER	NAME BACKSHELL SWIVEL ADAPTER 4 PIN PLUG DTM/DTMH SERIES	
0 PLC ± 1 PLC ± 2 PLC ± 3 PLC ±.025 [.64] 4 PLC ± ANGLES ±		PRODUCT SPEC	SIZE A3	CAGE CODE 4AFU8
MATERIAL PBT BLACK		FINISH N/A	DRAWING NO 1028-008-0405	RESTRICTED TO
WEIGHT 4.41g		CUSTOMER DRAWING	SCALE 5:2	SHEET 1 OF 1
				REV A

## X-ON Electronics

Largest Supplier of Electrical and Electronic Components

*Click to view similar products for [Automotive Connectors](#) category:*

*Click to view products by [TE Connectivity](#) manufacturer:*

Other Similar products are found below :

[003-018-000](#) [60403001](#) [60993906-B](#) [M902-2131](#) [M902-2161](#) [72.330.1035.1](#) [73.353.4028.0](#) [F119300-B](#) [F166900](#) [F258300-B](#) [F358300-B](#)  
[F407400](#) [F444110](#) [F487000](#) [F509500B-B](#) [827153-1](#) [8N1515-32-24P](#) [9-1326729-8](#) [925474-1](#) [928905-1](#) [964562-4](#) [968782-1](#) [GT17SA-8DS-](#)  
[HU](#) [98891-1012](#) [98947-1016](#) [12004147](#) [12004475-L](#) [12010290](#) [12010309-B](#) [12015454](#) [12020219-B](#) [12020308](#) [12041318-B](#) [12052225-L](#)  
[12052466](#) [12059125](#) [12064869](#) [12004327-B](#) [12010503-B](#) [12015308](#) [12015384](#) [12015909](#) [1-21030-1](#) [12041254](#) [12041318](#) [12047946-B](#)  
[12047957](#) [12047957-L](#) [12059473](#) [12066261](#)