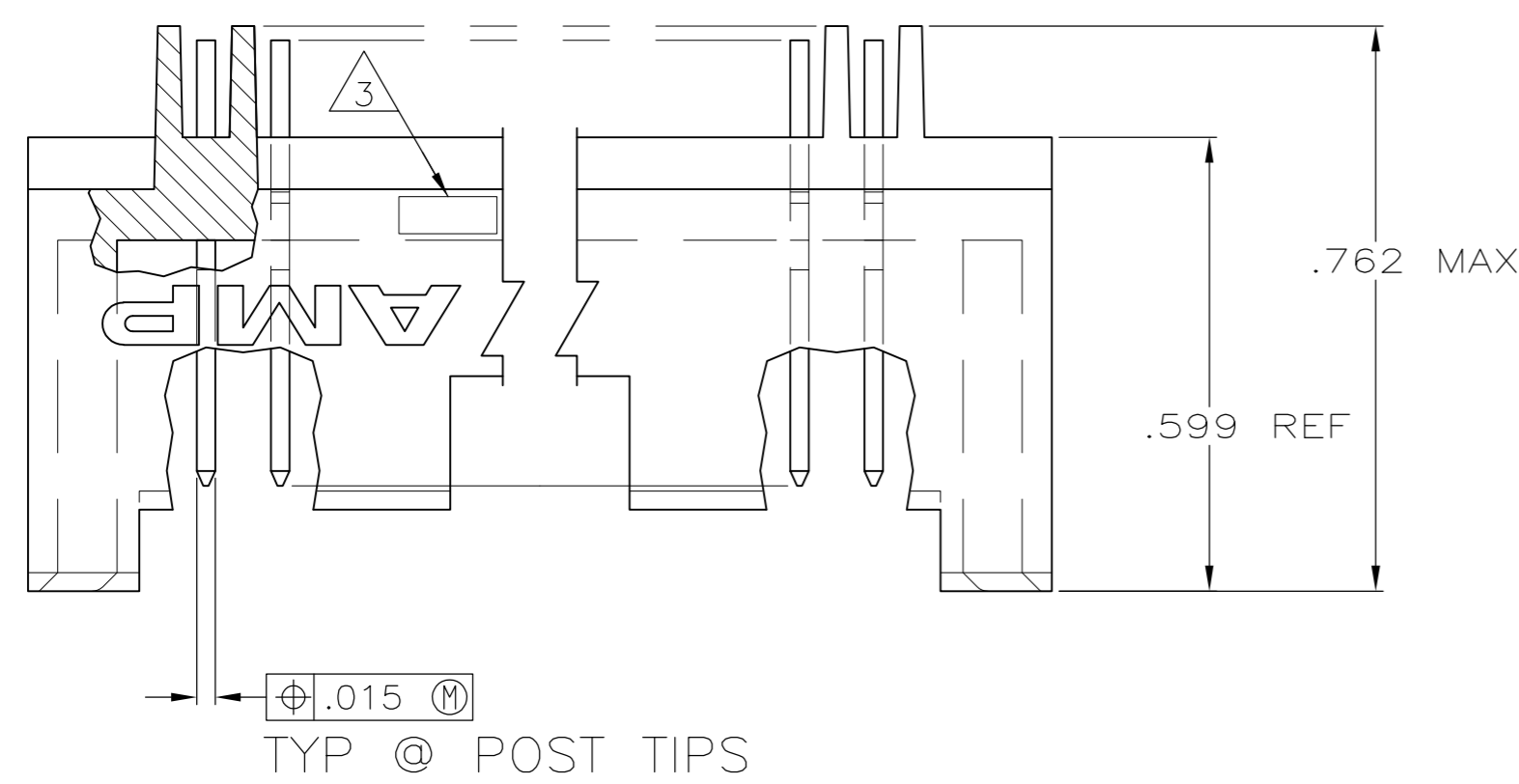
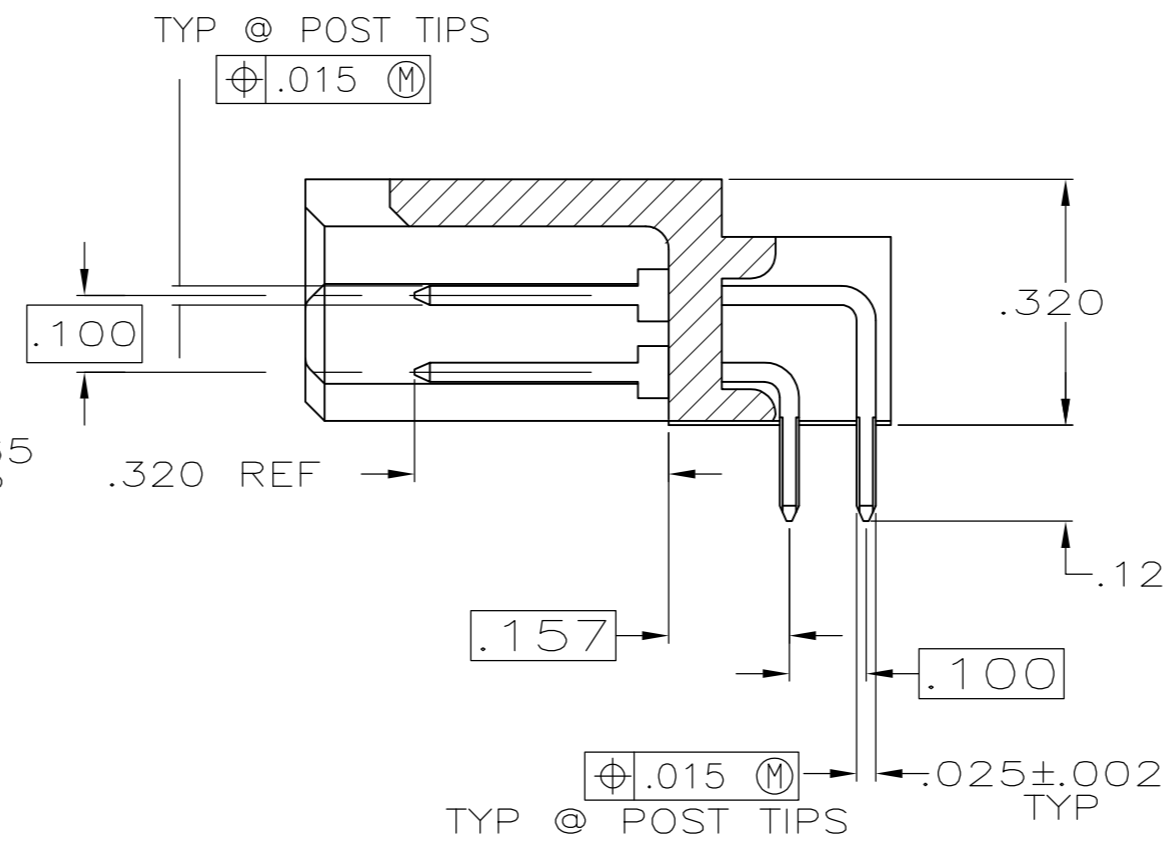
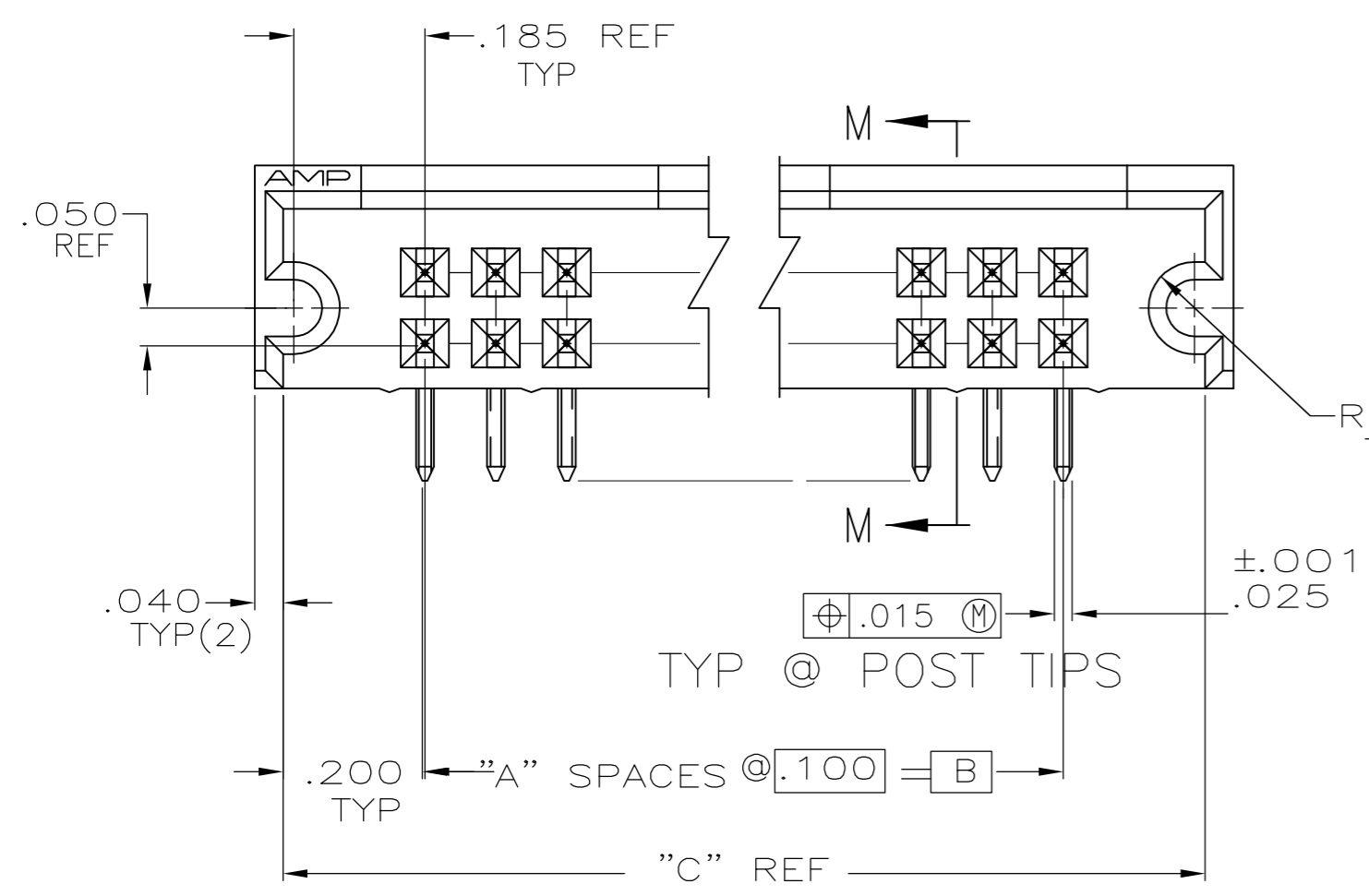


THIS DRAWING IS UNPUBLISHED. RELEASED FOR PUBLICATION
 © COPYRIGHT BY TYCO ELECTRONICS CORPORATION. ALL INTERNATIONAL RIGHTS RESERVED.

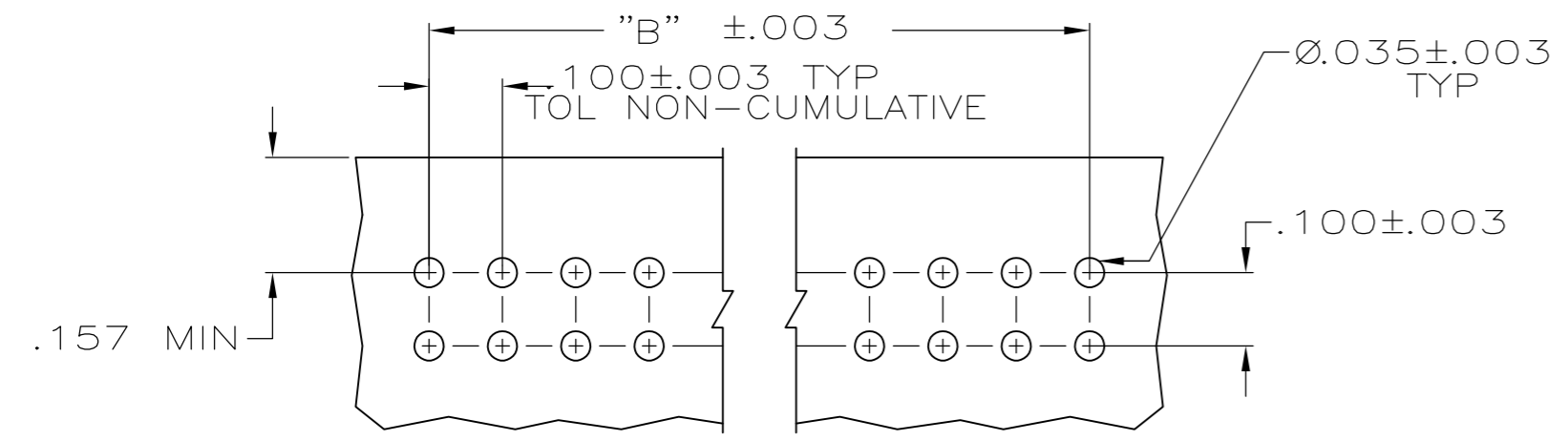
LOC	DIST	REVISIONS					
AD	00	P	LTR	DESCRIPTION	DATE	DWN	APVD
		L2		REVISED PER ECO-09-017580	30JUL09	HMR	JO
		L3		REVISED PER ECO-10-000445	20JAN10	KK	HMR



- 1 MATERIAL: HSG FLAME RETARDANT THERMOPLASTIC, COLOR: BLACK. POSTS: PHOS BRONZE
- 2 .000030 GOLD ON CONTACT AREA, .000100-.000200 BRIGHT TIN-LEAD ON SOLDER LEADS, ALL OVER .000050 NICKEL
- 3 RECESSED DATE CODE AND CSA LOGO
- 4 .000030 GOLD ON CONTACT AREA, .000100-.000200 MATTE TIN ON SOLDER LEADS, ALL OVER .000050 NICKEL
- 5 ROHS 2002/95/EC COMPLIANT
- 6 PRELIMINARY PART
- 7 OBSOLETE PARTS: OBSOLETE CIS STREAMLINING PER D.RENAUD/D.SINISI



SECTION M-M



RECOMMENDED HOLE LAYOUT

FINISH	"C"	"B"	"A"	NO OF POSN	PART NUMBER
4	1.000	.600	6	14	7-102802-6
4	.800	.400	4	10	7-102802-5
5	8.300	7.900	79	160	7-102802-4
5	2.500	2.100	21	44	7-102802-3
5	7.700	7.300	73	148	7-102802-2
5	6.800	6.400	64	130	6-102802-9
5	4.600	4.200	42	86	6-102802-8
5	3.900	3.500	35	72	6-102802-7
5	1.800	1.400	14	30	6-102802-6
5	1.300	.900	9	20	6-102802-5
5	1.100	.700	7	16	6-102802-4
5	1.500	1.100	11	24	6-102802-3
5	.900	.500	5	12	6-102802-2
	-	-	-	-	-
5	4.800	4.400	44	90	6-102802-0
5	3.300	2.900	29	60	5-102802-9
5	2.300	1.900	19	40	5-102802-8
5	3.800	3.400	34	70	5-102802-7
5	5.300	4.900	49	100	5-102802-6
5	4.300	3.900	39	80	5-102802-5
5	2.800	2.400	24	50	5-102802-4
5	2.100	1.700	17	36	5-102802-3
5	6.300	5.900	59	120	5-102802-2
	-	-	-	-	-
2	.800	.400	4	10	2-102802-5
2	8.300	7.900	79	160	2-102802-4
2	2.500	2.100	21	44	2-102802-3
2	7.700	7.300	73	148	2-102802-2
2	6.800	6.400	64	130	1-102802-9
2	4.600	4.200	42	86	1-102802-8
2	3.900	3.500	35	72	1-102802-7
2	1.800	1.400	14	30	1-102802-6
2	1.300	.900	9	20	1-102802-5
2	1.100	.700	7	16	1-102802-4
2	1.500	1.100	11	24	1-102802-3
2	.900	.500	5	12	1-102802-2
	-	-	-	-	-
4	4.800	4.400	44	90	1-102802-0
	3.300	2.900	29	60	102802-9
	2.300	1.900	19	40	102802-8
	3.800	3.400	34	70	102802-7
	5.300	4.900	49	100	102802-6
	4.300	3.900	39	80	102802-5
	2.800	2.400	24	50	102802-4
	2.100	1.700	17	36	102802-3
	6.300	5.900	59	120	102802-2

THIS DRAWING IS A CONTROLLED DOCUMENT.

DWN B. HAYMAKER 30MAR00
 CHK J. GESFORD 30MAR00
 APVD J. GESFORD 30MAR00
 PRODUCT SPEC
 APPLICATION SPEC

TOLERANCES UNLESS OTHERWISE SPECIFIED:
 0 PLC ± -
 1 PLC ± -
 2 PLC ± -
 3 PLC ± 0.13[.005]
 4 PLC ± -
 ANGLES ± -

FINISH SEE TABLE

THIS DRAWING IS UNPUBLISHED. RELEASED FOR PUBLICATION
 © COPYRIGHT BY TYCO ELECTRONICS CORPORATION. ALL INTERNATIONAL RIGHTS RESERVED.

Tyco Electronics Tyco Electronics Corporation
 Harrisburg, PA 17105-3608

NAME ASSY, HEADER, MOD II, .025 SQ POSTS
 .100X.100CL, DOUBLE ROW, RIGHT ANGLE
 WITH GUIDE PINS

SIZE A2 CAGE CODE 00779 DRAWING NO C=102802 RESTRICTED TO -

WEIGHT - SCALE 4:1 SHEET 1 OF 1 REV L3

CUSTOMER DRAWING

X-ON Electronics

Largest Supplier of Electrical and Electronic Components

Click to view similar products for [Board to Board & Mezzanine Connectors](#) category:

Click to view products by [TE Connectivity](#) manufacturer:

Other Similar products are found below :

[589158040000018](#) [MDF7C-18P-2.54DSA\(55\)](#) [FCN-230C068-11](#) [FCN-268F012-G/BD](#) [FCN-268F036-G/BD](#) [FCN-268M012-G/0D](#) [FCN-268M024-G/1D](#) [FCN-723J004/1](#) [MIS-048-01-F-D-DP-K](#) [832-10-034-10-001000](#) [FX4C-80S-1.27DSA](#) [FCN-214Q030-G/0](#) [FCN-234P048-G/0](#) [FCN-235D050-G/C](#) [210-93-314-41-105000](#) [2-22603-0](#) [MDF7-40DP-2.54DSA\(55\)](#) [AXG720047](#) [5031084030](#) [MIT-114-03-F-D-K](#) [55323-1519](#) [DF33-2P-3.3DSA\(24\)](#) [YFT-20-05-H-03-SB-K](#) [503308-3040](#) [026-6203-PDB](#) [027-6203-PDB](#) [069159702701000](#) [10123981-102LF](#) [101A10019X](#) [55650-0588-C](#) [68682-310LF](#) [68684-306](#) [75140-7012](#) [87471-650](#) [194261-1](#) [FCN-268F024-G0D](#) [10124054-515LF](#) [68685-603](#) [8-1616154-3](#) [MIS-019-01-F-D](#) [FCN-268M024-G/3D](#) [20021832-06016C1LF](#) [KX15-20KLDL-E1000E](#) [MDF7-16DP-2.54DSA\(55\)](#) [AXE810124](#) [FCN-214J100-G/0](#) [FCN-230C068-E/S](#) [AXE812124](#) [AXE816124](#) [AXE720127](#)