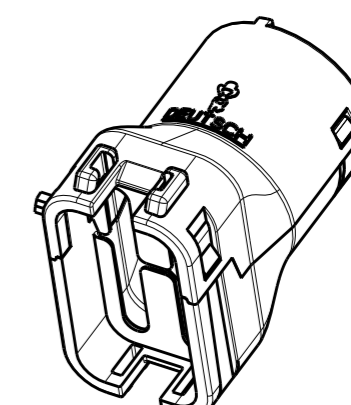
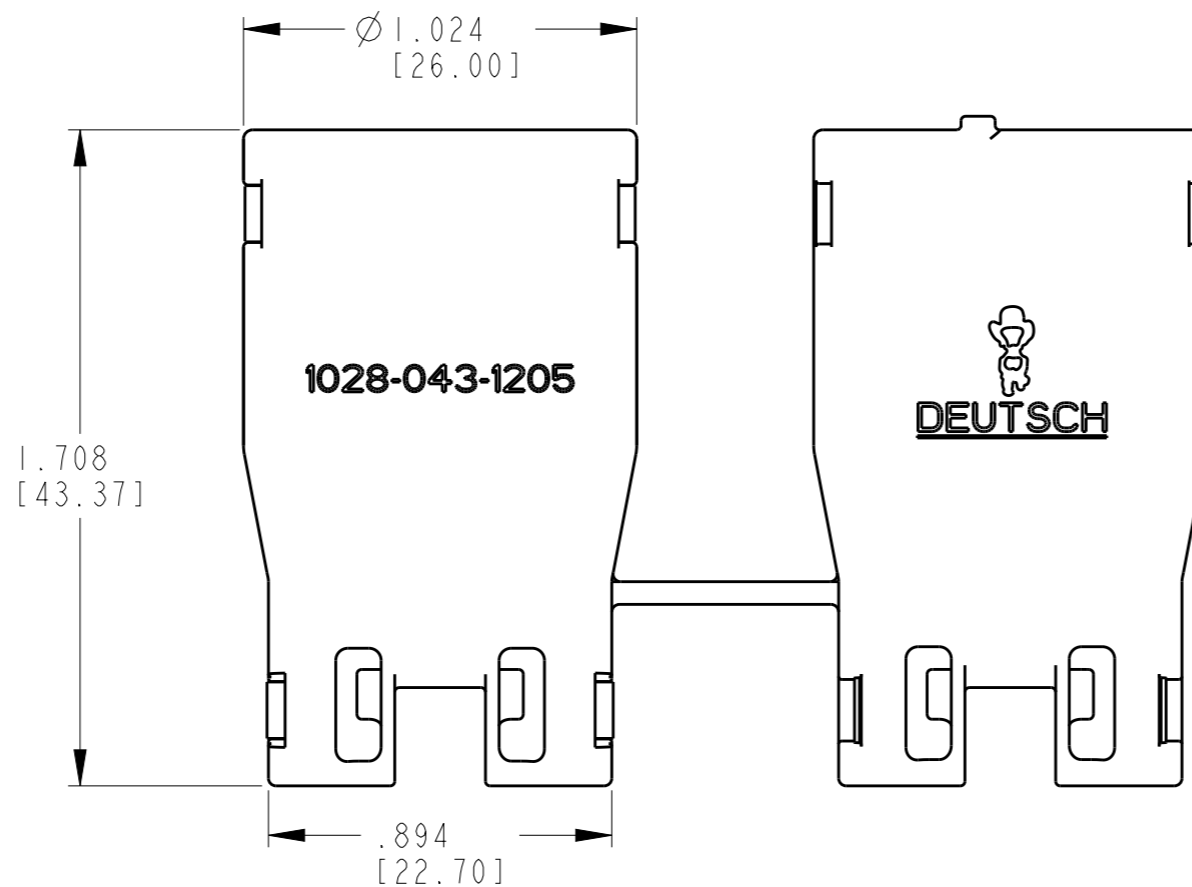


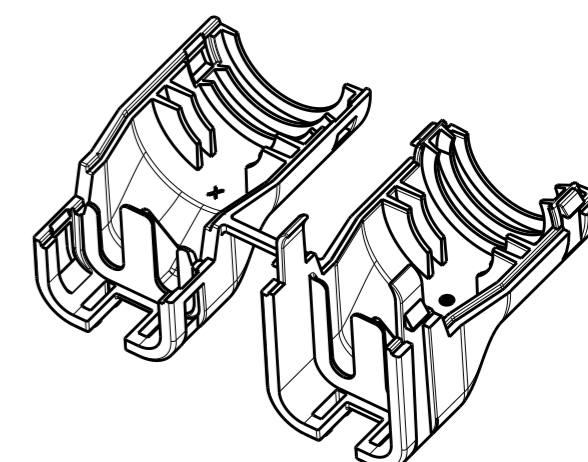
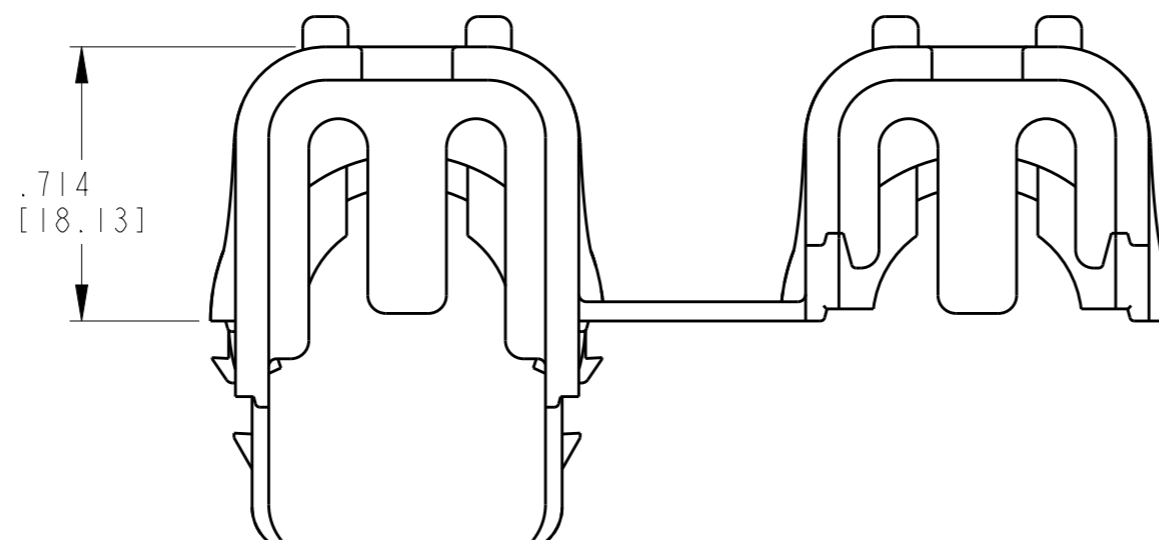
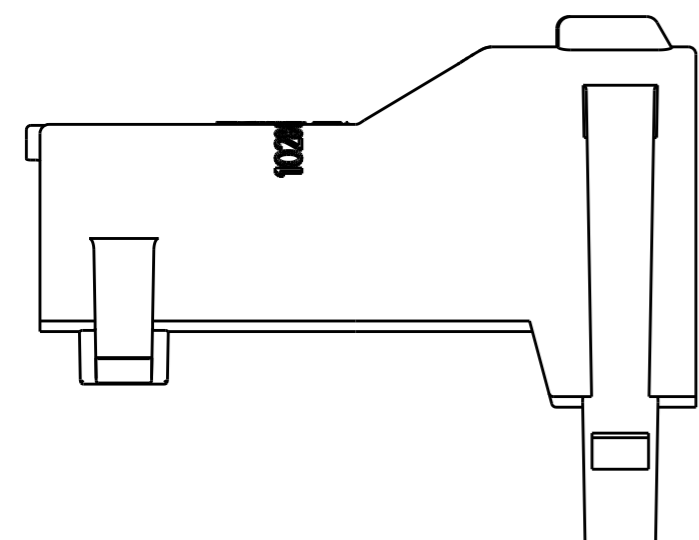
THIS DRAWING IS UNPUBLISHED  
 RELEASED FOR PUBLICATION 2018  
 © COPYRIGHT 2018 BY -TE CONNECTIVITY ALL RIGHTS RESERVED.

REVISIONS

P	LTR	DESCRIPTION	DATE	DWN	APVD
	A	REVISED PER PCN E-18-000064	02JAN2018	SS	DM



3-D VIEW  
CLOSED




3-D VIEW  
OPEN

TE INTERNAL PN	DEUTSCH PN
1028-043-1205	1028-043-1205

2. THIS PART ACCOMMODATES CORRUGATED TUBING SIZES NW 13 & 17.

1. THIS PART MATES WITH DT06-12SX-XXXX PLUG WITH ANY MODIFICATION THAT DOES NOT INCLUDE AN END CAP. (X = KEY ARR. A,B,C,D; XXXX = MODIFICATION)

NOTES:

THIS DRAWING IS A CONTROLLED DOCUMENT.		DWN R. MESSENGER 17FEB2009	 TE Connectivity													
DIMENSIONS: INCHES [mm]		CHK B. BYFORD 23FEB2010														
TOLERANCES UNLESS OTHERWISE SPECIFIED:		APVD S. BEARD 19FEB2010	NAME BACK SHELL 12 PIN PLUG DT SERIES													
<table border="1"> <tr><td>0 PLC</td><td>±</td></tr> <tr><td>1 PLC</td><td>±</td></tr> <tr><td>2 PLC</td><td>±</td></tr> <tr><td>3 PLC</td><td>±.025 [0.64]</td></tr> <tr><td>4 PLC</td><td>±</td></tr> <tr><td>ANGLES</td><td>±0°30'0"</td></tr> </table>		0 PLC	±	1 PLC	±	2 PLC	±	3 PLC	±.025 [0.64]	4 PLC	±	ANGLES	±0°30'0"	PRODUCT SPEC -	-	
0 PLC	±															
1 PLC	±															
2 PLC	±															
3 PLC	±.025 [0.64]															
4 PLC	±															
ANGLES	±0°30'0"															
MATERIAL PA66 (BLACK)		FINISH	APPLICATION SPEC -	-												
WEIGHT 9.3 g		CUSTOMER DRAWING	SIZE A3	CAGE CODE 4AFU8	DRAWING NO 1028-043-1205											
SCALE 1:1		SHEET 1	OF 1	REV A	RESTRICTED TO -											

## X-ON Electronics

Largest Supplier of Electrical and Electronic Components

*Click to view similar products for [Automotive Connectors](#) category:*

*Click to view products by [TE Connectivity](#) manufacturer:*

Other Similar products are found below :

[003-018-000](#) [60403001](#) [60993906-B](#) [M902-2131](#) [M902-2161](#) [72.330.1035.1](#) [73.353.4028.0](#) [F119300-B](#) [F166900](#) [F258300-B](#) [F358300-B](#)  
[F407400](#) [F444110](#) [F487000](#) [F509500B-B](#) [827153-1](#) [8N1515-32-24P](#) [9-1326729-8](#) [925474-1](#) [928905-1](#) [964562-4](#) [968782-1](#) [GT17SA-8DS-](#)  
[HU](#) [98891-1012](#) [98947-1016](#) [12004147](#) [12004475-L](#) [12010290](#) [12010309-B](#) [12015454](#) [12020219-B](#) [12020308](#) [12041318-B](#) [12052225-L](#)  
[12052466](#) [12059125](#) [12064869](#) [12004327-B](#) [12010503-B](#) [12015308](#) [12015384](#) [12015909](#) [1-21030-1](#) [12041254](#) [12041318](#) [12047946-B](#)  
[12047957](#) [12047957-L](#) [12059473](#) [12066261](#)