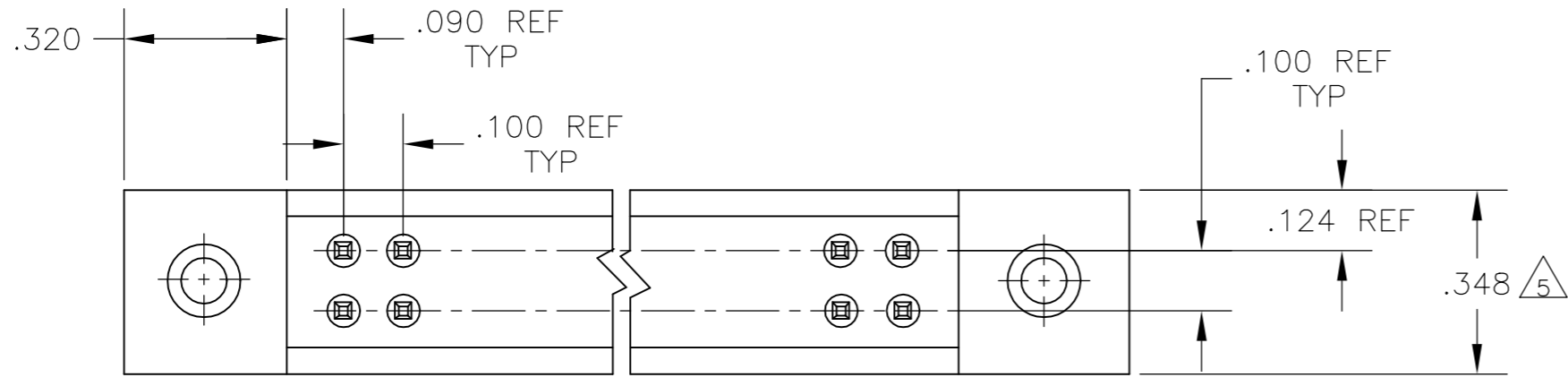
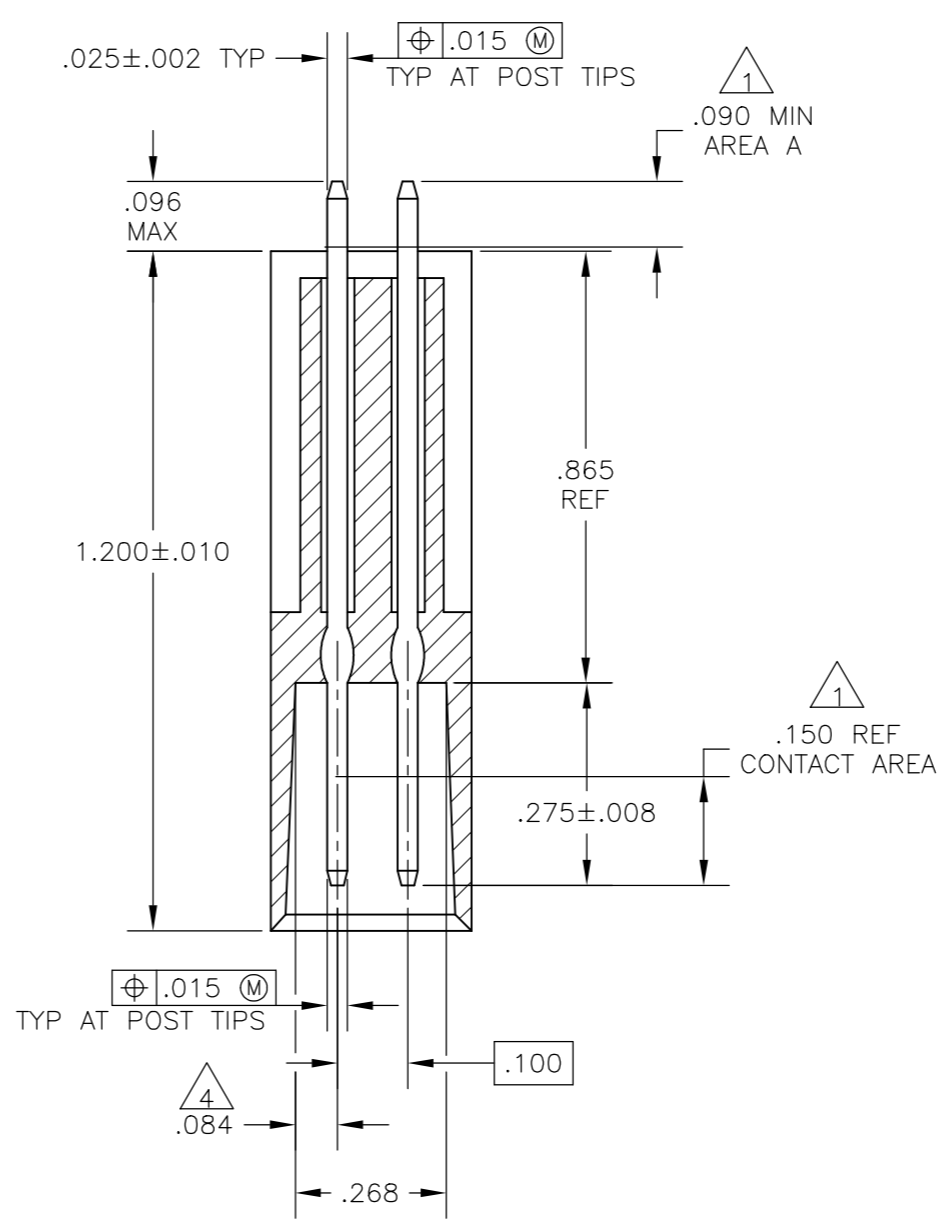
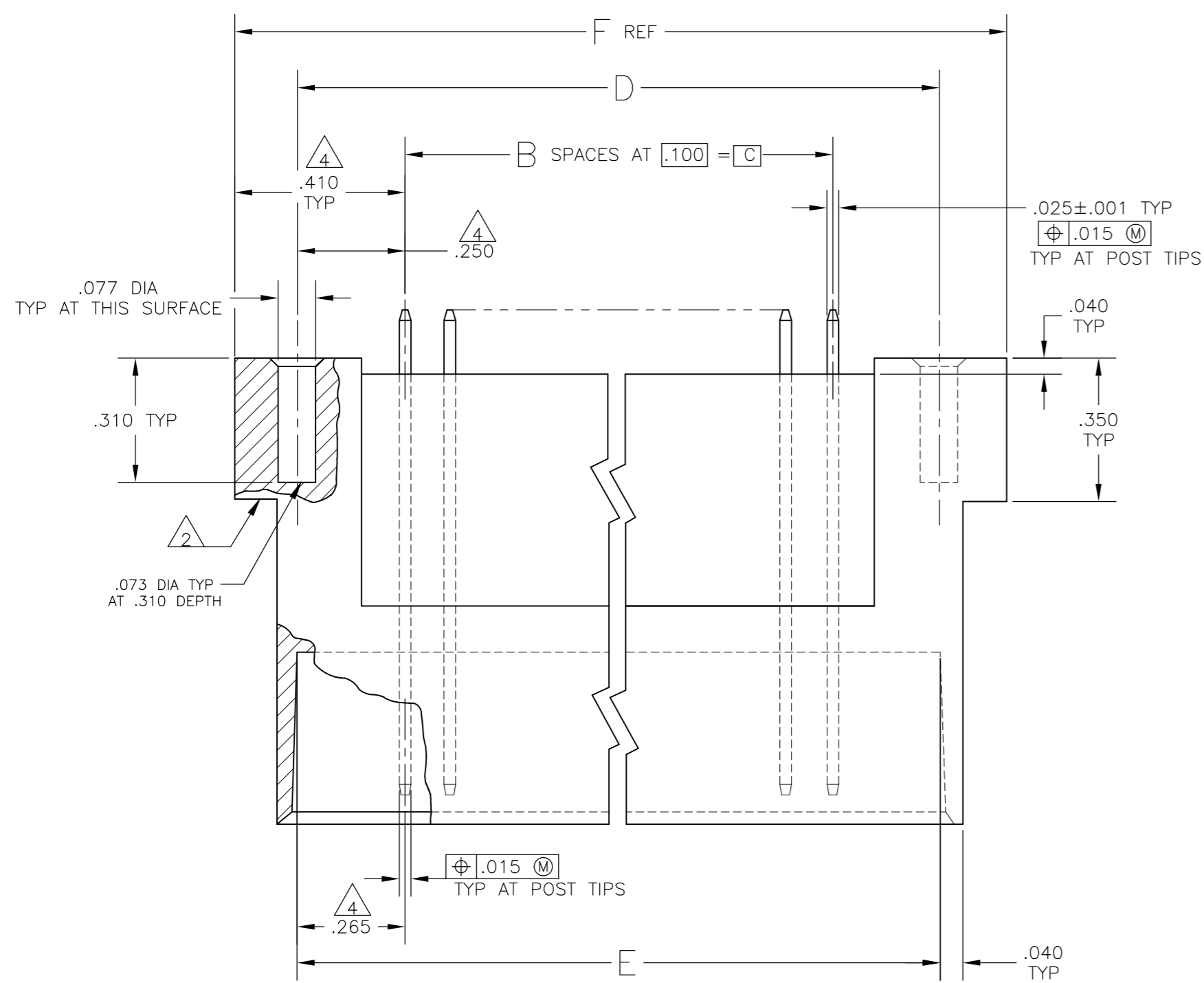


THIS DRAWING IS UNPUBLISHED. RELEASED FOR PUBLICATION
 © COPYRIGHT - TE Connectivity Ltd. ALL RIGHTS RESERVED.

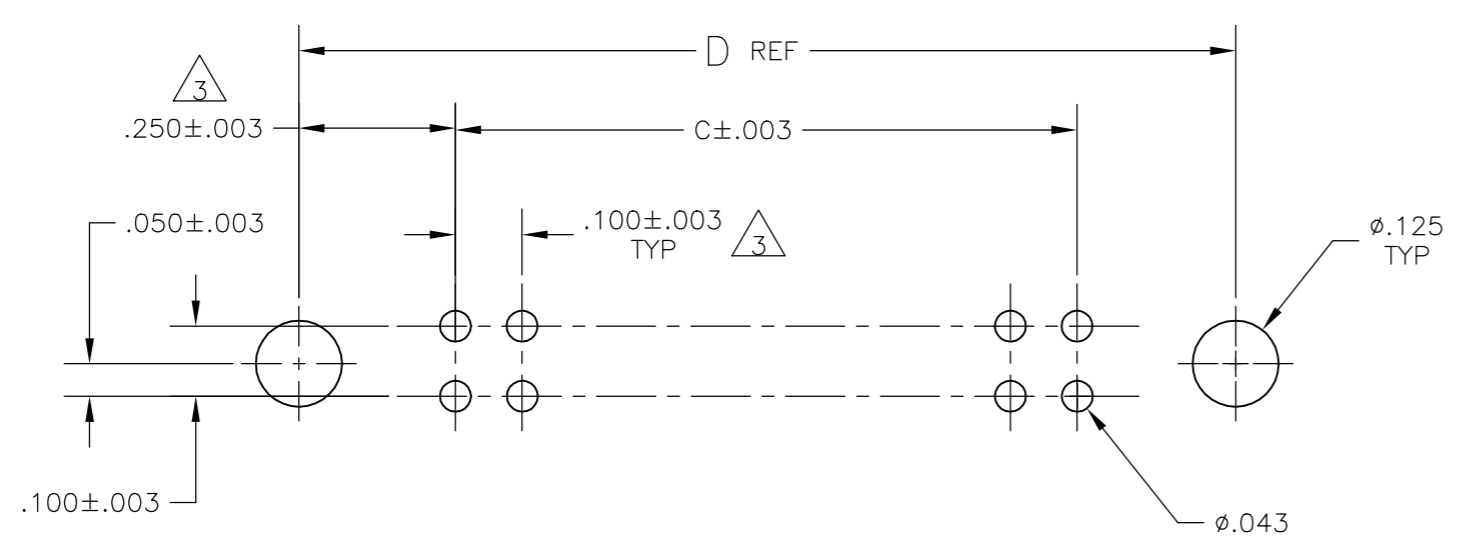
REVISIONS					
P	LTR	DESCRIPTION	DATE	DWN	APVD
	G1	PART STATUS UPATED IN PART LIST TABLE	16FEB2018	SD	PS



- 1 .000015 GOLD ON CONTACT AREA, .000100-.000200 MATTE-TIN LEAD IN AREA A, ALL OVER .000050 MIN NICKEL.
- 2 "AMP" TRADEMARK SHALL BE ON PART
- 3 TOLERANCE NON-CUMULATIVE.
- 4 DIMENSION APPLIES AT BASE OF HOUSING.
- 5 DIMENSION APPLIES TO AREA BELOW BASE OF SHROUD.
- 6 OBSOLETE PART NUMBER
- 7 .000015 GOLD ON CONTACT AREA, .000100-.000200 MATTE-TIN IN AREA A, ALL OVER .000050 MIN NICKEL.



TYP SECTION THRU CAVITY



RECOMMENDED HOLE LAYOUT

7	3.320	3.030	3.000	2.500	25	52	5-102826-1
6	1	2.220	1.930	1.900	1.400	14	102826-3
6	1	2.720	2.430	2.400	1.900	19	102826-2
6	1	3.320	3.030	3.000	2.500	25	102826-4
FINISH	F	E	D	C	B	NO OF POSN	PART NUMBER

THIS DRAWING IS A CONTROLLED DOCUMENT.		DWN	17-9-81				
DIMENSIONS: INCHES		CHK	29-9-81				
TOLERANCES UNLESS OTHERWISE SPECIFIED:		APVD	8-10-81	NAME			
0 PLC ± -		PRODUCT SPEC		HEADER ASSY, MOD II, .025 SQ POST, .100 X .100 C/L, DOUBLE ROW			
1 PLC ± -		APPLICATION SPEC		SIZE			
2 PLC ± -		WEIGHT		CAGE CODE			
3 PLC ± .005		CUSTOMER DRAWING		DRAWING NO			
4 PLC ± -		SCALE		RESTRICTED TO			
ANGLES ± 0° 30'		3:1		SHEET			
MATERIAL: HSG : 20% FLAME RETARDANT GLASS FILLED NYLON COLOR : BLACK POST : PHOS-BRZ		POSTS : SEE TABLE		REV			
		G1		1 of 1			

X-ON Electronics

Largest Supplier of Electrical and Electronic Components

Click to view similar products for [Board to Board & Mezzanine Connectors](#) category:

Click to view products by [TE Connectivity](#) manufacturer:

Other Similar products are found below :

[589158040000018](#) [MDF7C-18P-2.54DSA\(55\)](#) [FCN-230C068-11](#) [FCN-268F012-G/BD](#) [FCN-268F036-G/BD](#) [FCN-268M012-G/0D](#) [FCN-268M024-G/1D](#) [FCN-723J004/1](#) [MIS-048-01-F-D-DP-K](#) [832-10-034-10-001000](#) [FX4C-80S-1.27DSA](#) [FCN-214Q030-G/0](#) [FCN-234P048-G/0](#) [FCN-235D050-G/C](#) [210-93-314-41-105000](#) [2-22603-0](#) [MDF7-40DP-2.54DSA\(55\)](#) [AXG720047](#) [5031084030](#) [MIT-114-03-F-D-K](#) [55323-1519](#) [DF33-2P-3.3DSA\(24\)](#) [YFT-20-05-H-03-SB-K](#) [503308-3040](#) [026-6203-PDB](#) [027-6203-PDB](#) [069159702701000](#) [10123981-102LF](#) [101A10019X](#) [55650-0588-C](#) [68682-310LF](#) [68684-306](#) [75140-7012](#) [87471-650](#) [194261-1](#) [FCN-268F024-G0D](#) [10124054-515LF](#) [68685-603](#) [8-1616154-3](#) [MIS-019-01-F-D](#) [FCN-268M024-G/3D](#) [20021832-06016C1LF](#) [KX15-20KLDL-E1000E](#) [MDF7-16DP-2.54DSA\(55\)](#) [AXE810124](#) [FCN-214J100-G/0](#) [FCN-230C068-E/S](#) [AXE812124](#) [AXE816124](#) [AXE720127](#)