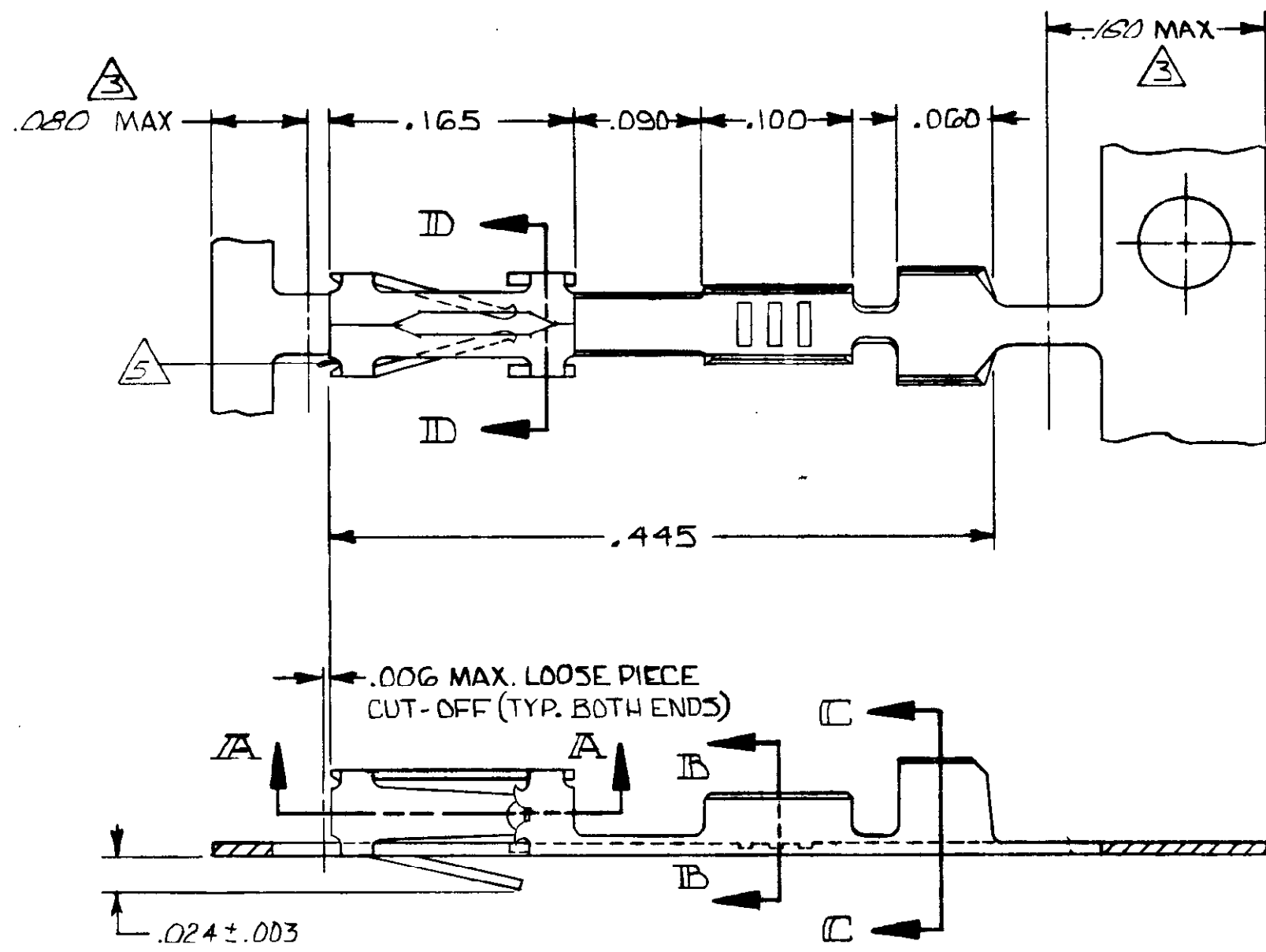
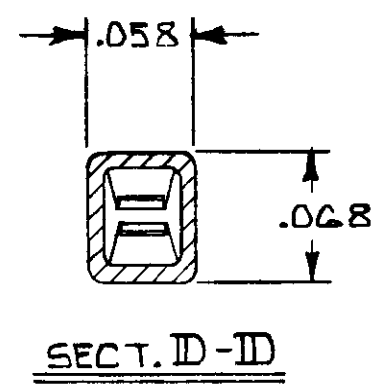
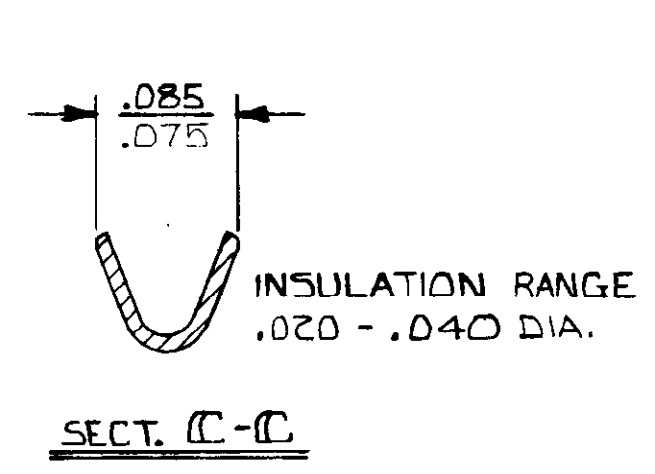
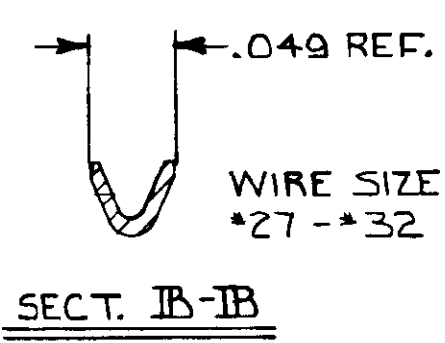
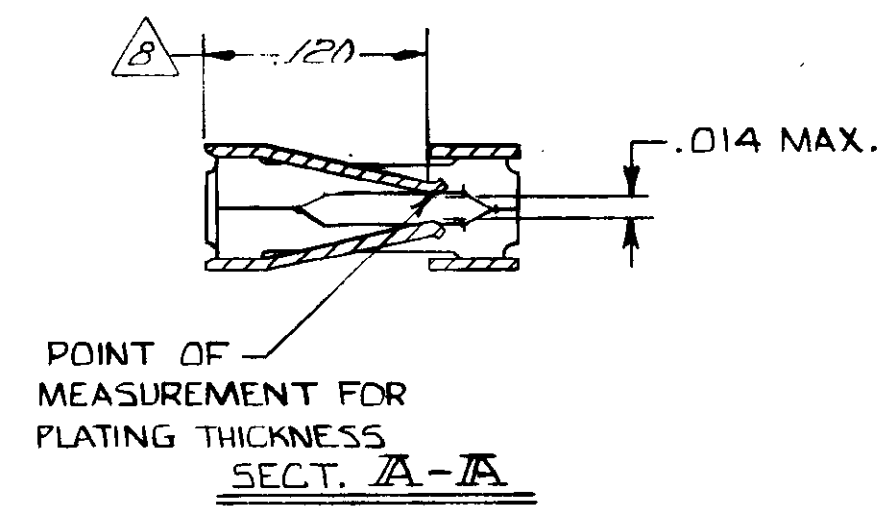


THIS DRAWING IS UNPUBLISHED. RELEASED FOR PUBLICATION  
(C) COPYRIGHT ALL RIGHTS RESERVED.

REVISIONS							
P	F	ZONE	LTR	DESCRIPTION	DATE	DWN	APPROVED
			N	REVISED PER ECO-15-004633	30MAY2015	NK	JO



- 1 .00030 GOLD ON CONTACT AREA, GOLD FLASH ON REMAINDER, OVER .000050 NICKEL.
- 2 .00015 GOLD ON CONTACT AREA, GOLD FLASH ON THE REMAINDER, OVER .000050 NICKEL.
- 3 GOLD PLATING NOT REQUIRED IN THIS AREA.
- 4 .000100-.000200 BRIGHT TIN OVER .000030 NICKEL.
- 5 CUT OUTS ON BOX AT MANUFACTURER'S OPTION.
- 6 .000050 GOLD ON CONTACT AREA, GOLD FLASH ON THE REMAINDER, OVER .000050 NICKEL.
- 7 .000015 GOLD ON CONTACT AREA, .000050 NICKEL OVER THE ENTIRE TERMINAL
- 8 POINT OF MEASUREMENT FOR PLATING THICKNESS (INSIDE BEAMS)
- 9 OBSOLETE PART NUMBER.
- 10 SUPERSEDED BY 102917-2.
- 11 OBSOLETE PARTS: OBSOLETE CIS STREAMLINING PER D.RENAUD/D.SINISI



OBsolete	1-9-4	1-102917-3
OBsolete	1-102917-2	1-102917-1
	102917-6	102917-5
OBsolete	102917-4	102917-3
	102917-2	102917-1
LOOSE PIECE PART NO.	FINISH	PART NO

UNLESS OTHERWISE SPECIFIED DIMENSIONS ARE IN INCHES. TOLERANCES ON: DECIMALS ± .005 ANGLES	CONTRACT NO		TE Connectivity			
	DR <i>R. A. Cook 3/15/82</i>					
MATERIAL CU-NI-SI	CHR <i>[Signature]</i>		NAME CONTACT, FEMALE, MOD IV, CRIMP SNAP-IN			
	APPD <i>R. Chiles 3/25/82</i>					
FINISH SEE TABLE	APPD <i>M. Y. [Signature] 3/26/82</i>		SIZE <b>C</b>	FSCM NO <b>00779</b>	DRAWING NO <b>102917</b>	REV <b>N</b>
	OTHER APPD		SCALE	SHEET 1 OF 1		

CUSTOMER DRAWING

102917

## X-ON Electronics

Largest Supplier of Electrical and Electronic Components

*Click to view similar products for [Headers & Wire Housings](#) category:*

*Click to view products by [TE Connectivity](#) manufacturer:*

Other Similar products are found below :

[892-18-020-10-001101](#) [58102-G61-06LF](#) [582553-1](#) [0009485154](#) [009176003701906](#) [0050291907](#) [LY20-4P-DT1-P1E-BR](#) [02.125.8002.8](#)  
[609-3404](#) [61062-3](#) [61082-181009](#) [622-3653LF](#) [63453-116](#) [636-1030](#) [636-1427](#) [636-3427](#) [636-4007](#) [641938-9](#) [641991-4](#) [644827-2](#) [65817-](#)  
[010LF](#) [65817-015LF](#) [65863-015LF](#) [66207-023LF](#) [67095-007LF](#) [67601157](#) [68645-018](#) [68648-049](#) [70.362.1628.0](#) [70-4210](#) [70-4226B](#) [70-](#)  
[4853B](#) [707-5020](#) [707-5028](#) [71.350.2428.0](#) [71918-208LF](#) [71961-016LF](#) [733-134](#) [733-162](#) [754199-000](#) [760-3052](#) [787-8014-00](#) [79531-3000](#)  
[FCN-360C032-B](#) [FCN-367T-T012/H](#) [FCN-723D010/2](#) [80.063.4001.1](#) [800-90-001-10-001000](#) [800-90-010-10-002000](#) [801-43-002-10-013000](#)