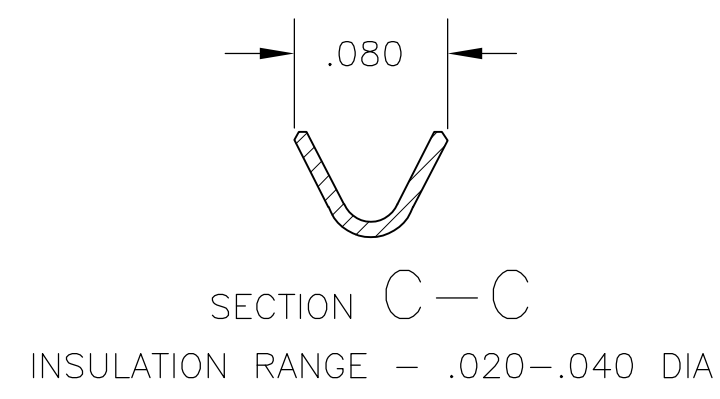
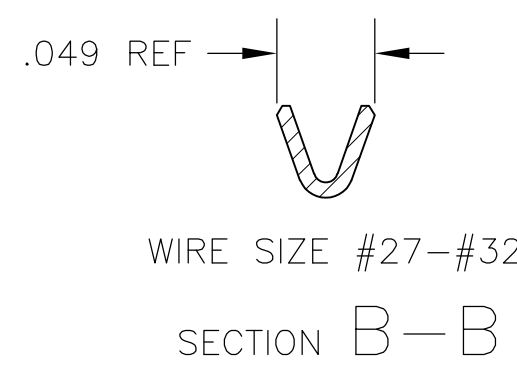
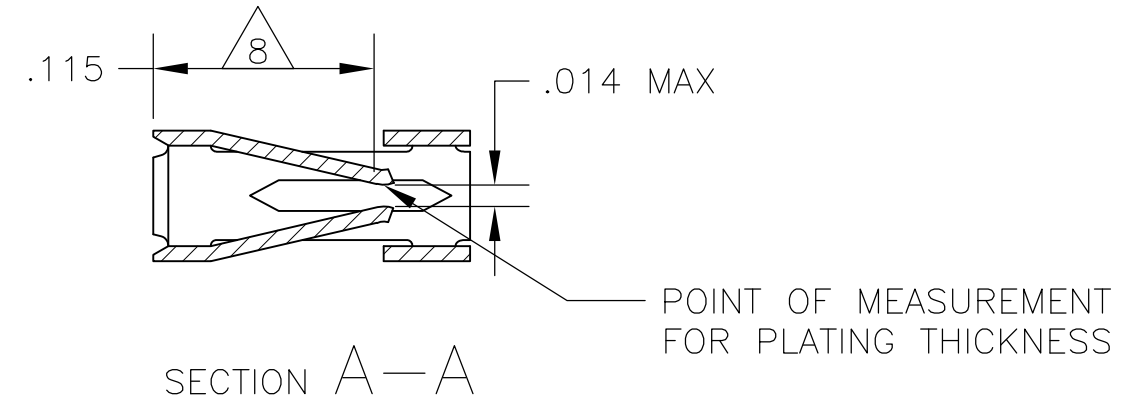
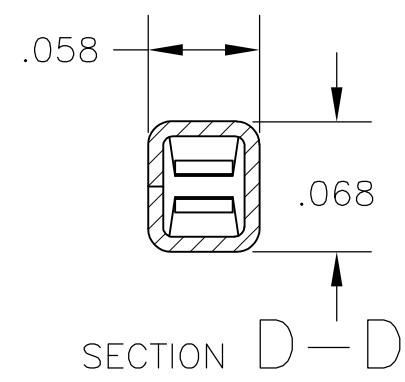
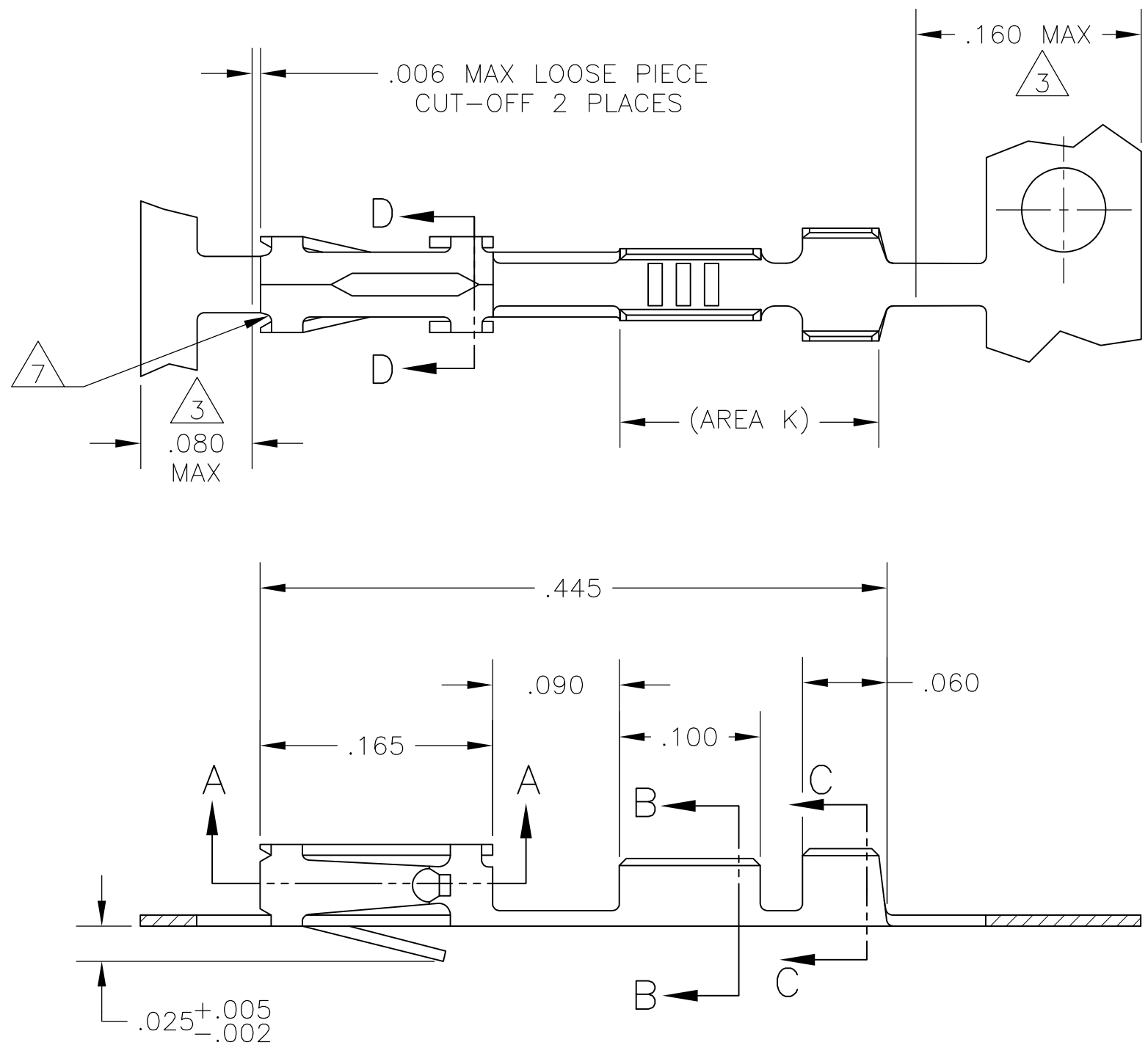


THIS DRAWING IS UNPUBLISHED. RELEASED FOR PUBLICATION
 © COPYRIGHT - By - ALL RIGHTS RESERVED.

LOC		DIST		REVISIONS			
P	LTR	DESCRIPTION		DATE	DWN	APVD	
AD	00	J		REVISED PER ECO-15-004633	18JUN2015	NK	JO



- 1 .000030 GOLD ON CONTACT AREA, GOLD FLASH ON REMINDER OVER .000050 NICKEL.
- 2 RELEED FOR MIN APPLICATOR.
- 3 GOLD PLATING IS NOT REQUIRED IN THIS AREA.
- 4 HAND TOOL MUSED FOR CRIMPING L.P. CONTACT IS #90358-1.
- 5 .0000150 GOLD ON CONTACT AREA, .00010-.000200 93/7 BRIGHT TIN-LEAD IN AREA K, ALL OVER .000050 NICKEL.
- 6 .000030 GOLD ON CONTACT AREA, .00010-.000200 93/7 BRIGHT TIN-LEAD IN AREA K, ALL OVER .000050 NICKEL.
- 7 CUT-OUTS ON THE BOX ARE AT MANUFACTURERS OPTION.
- 8 POINT OF MEASUREMENT FOR PLATING THICKNESS(INSIDE BEAMS).
- 9 OBSOLETE PART NUMBER.

LOOSE PIECE	4	6	9	102918-6
SUPERCEDED BY 102918-1		6	9	102918-5
LOOSE PIECE	4	5	9	102918-4
		5	9	102918-3
LOOSE PIECE	4	1		102918-2
		1		102918-1
REMARKS	FINISH		PART NUMBER	

THIS DRAWING IS A CONTROLLED DOCUMENT.		DWN KATE HELM 03MAY89	TE Connectivity	
DIMENSIONS: INCHES		CHK C. OBERMAN 02JUN89	NAME	
TOLERANCES UNLESS OTHERWISE SPECIFIED:		APVD J. GESFORD 02JUN89	PRODUCT SPEC	
0 PLC ± -		108-25021		
1 PLC ± -		APPLICATION SPEC		
2 PLC ± -		114-25003		
3 PLC ± .005		WEIGHT -		
4 PLC ± -		SIZE A2 CAGE CODE 00779 C=102918		
ANGLES ± -		DRAWING NO		
FINISH		RESTRICTED TO		
SEE TABLE		SCALE 10:1 SHEET 1 of 1 REV J		
CUSTOMER DRAWING				

X-ON Electronics

Largest Supplier of Electrical and Electronic Components

Click to view similar products for [Headers & Wire Housings](#) category:

Click to view products by [TE Connectivity](#) manufacturer:

Other Similar products are found below :

[95000-104TRLF](#) [10135584-644402LF](#) [DF62W-EP2022PCA](#) [95000-106TRLF](#) [DF62W-2022SCA](#) [DF62W-EP2022PC](#) [2203348](#) [DF62W-2022SC](#) [1084018](#) [1029039](#) [1084017](#) [802-10-012-10-002000](#) [1112640](#) [1112639](#) [000-34000](#) [0009482033](#) [0009507031](#) [57102-S06-03LF](#) [57202-S52-04LF](#) [PCN6-15S-2.5E](#) [0039019024](#) [58102-G61-06LF](#) [582553-1](#) [0009508121](#) [0050291907](#) [018731A](#) [LY20-4P-DT1-P1E-BR](#) [02.125.8002.8](#) [60101931](#) [60598-1 \(Cut Strip\)](#) [M1625-3R/100](#) [61062-3](#) [61082-181009](#) [636-1427](#) [638009-1](#) [641938-9](#) [641991-4](#) [644168-1](#) [647662-1](#) [65039-019ELF](#) [65817-002LF](#) [65817-015LF](#) [65863-015LF](#) [66207-023LF](#) [67016-026LF](#) [67046-001LF](#) [67095-007LF](#) [68002-116](#) [68016-236H](#) [68648-049](#)