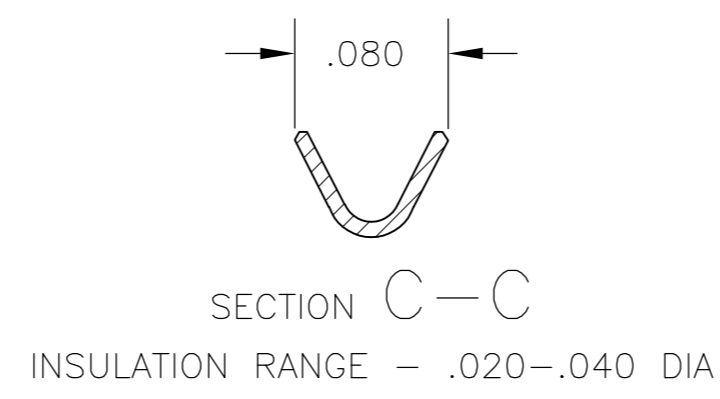
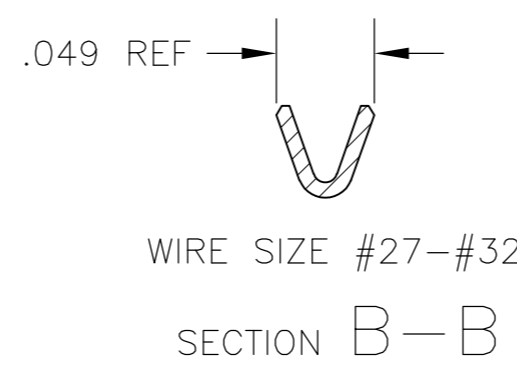
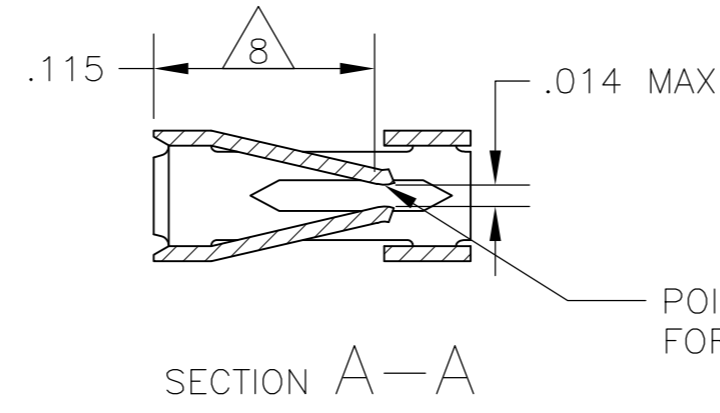
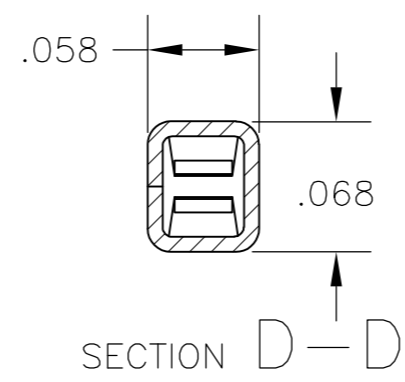
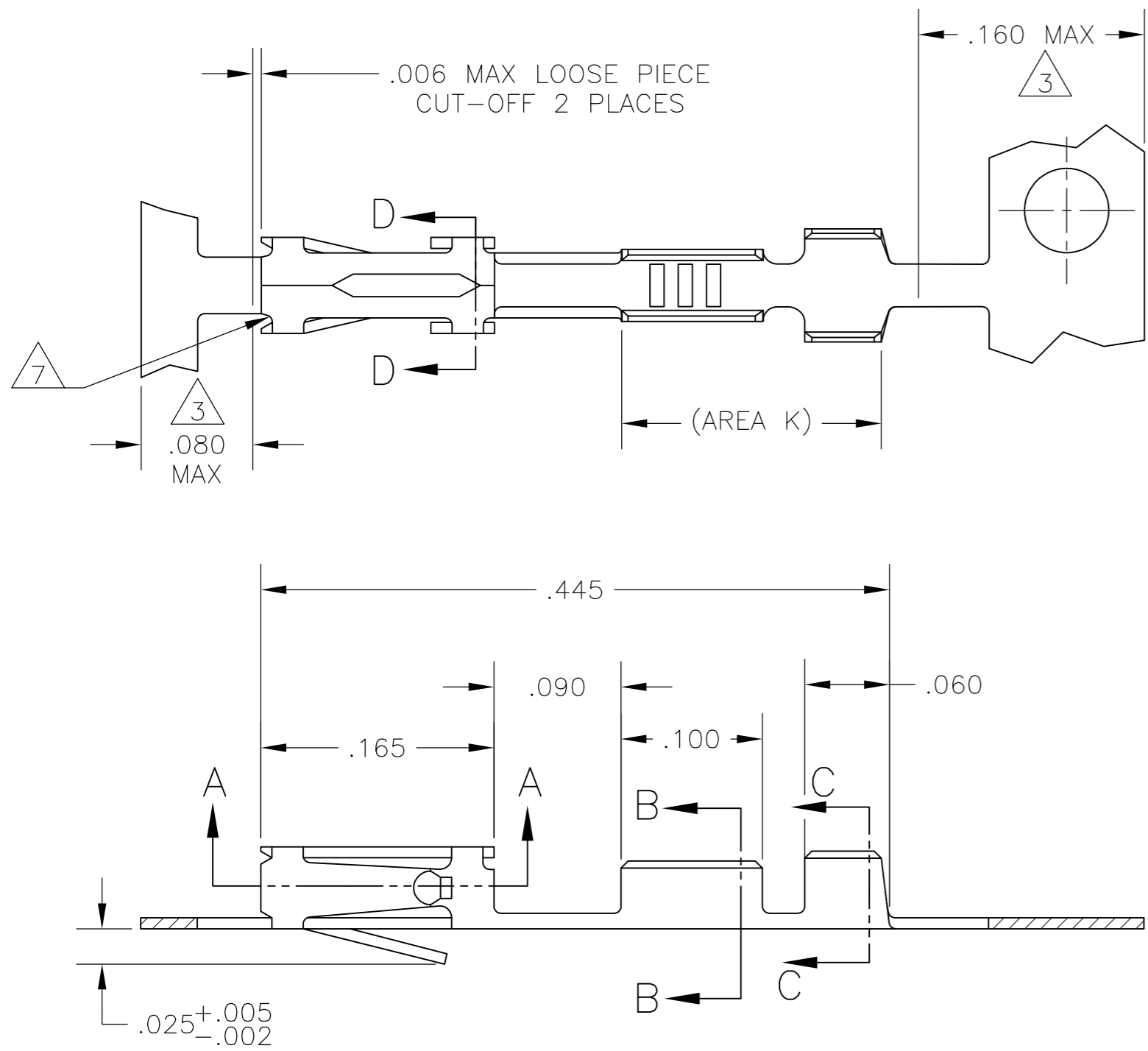


THIS DRAWING IS UNPUBLISHED. RELEASED FOR PUBLICATION
 © COPYRIGHT - By - ALL RIGHTS RESERVED.

LOC		DIST		REVISIONS			
P	LTR	DESCRIPTION		DATE	DWN	APVD	
AD	00	J		REVISED PER ECO-15-004633	18JUN2015	NK	JO



- 1 .000030 GOLD ON CONTACT AREA, GOLD FLASH ON REMINDER OVER .000050 NICKEL.
- 2 RELEED FOR MIN APPLICATOR.
- 3 GOLD PLATING IS NOT REQUIRED IN THIS AREA.
- 4 HAND TOOL MUSED FOR CRIMPING L.P. CONTACT IS #90358-1.
- 5 .0000150 GOLD ON CONTACT AREA, .00010-.000200 93/7 BRIGHT TIN-LEAD IN AREA K, ALL OVER .000050 NICKEL.
- 6 .000030 GOLD ON CONTACT AREA, .00010-.000200 93/7 BRIGHT TIN-LEAD IN AREA K, ALL OVER .000050 NICKEL.
- 7 CUT-OUTS ON THE BOX ARE AT MANUFACTURERS OPTION.
- 8 POINT OF MEASUREMENT FOR PLATING THICKNESS(INSIDE BEAMS).
- 9 OBSOLETE PART NUMBER.

REMARKS	FINISH	PART NUMBER
LOOSE PIECE	4 6 9	102918-6
SUPERCEDED BY 102918-1	6 9	102918-5
LOOSE PIECE	4 5 9	102918-4
	5 9	102918-3
LOOSE PIECE	4 1	102918-2
	1	102918-1

THIS DRAWING IS A CONTROLLED DOCUMENT.		DWN KATE HELM 03MAY89	TE TE Connectivity	
DIMENSIONS: INCHES		CHK C. OBERMAN 02JUN89		
TOLERANCES UNLESS OTHERWISE SPECIFIED:		APVD J. GESFORD 02JUN89	NAME CONTACT, MOD IV 1/2, RECEPTACLE, CRIMP SNAP-IN	
0 PLC ± -		PRODUCT SPEC 108-25021	SIZE CAGE CODE DRAWING NO RESTRICTED TO	
1 PLC ± -		APPLICATION SPEC 114-25003	A2 00779 C=102918	
2 PLC ± -		WEIGHT -	SCALE 10:1 SHEET 1 of 1 REV J	
3 PLC ± .005		CUSTOMER DRAWING		
4 PLC ± -				
ANGLES ± -				
FINISH SEE TABLE				

X-ON Electronics

Largest Supplier of Electrical and Electronic Components

Click to view similar products for [Headers & Wire Housings](#) category:

Click to view products by [TE Connectivity](#) manufacturer:

Other Similar products are found below :

[892-18-020-10-001101](#) [58102-G61-06LF](#) [582553-1](#) [0009485154](#) [009176003701906](#) [0050291907](#) [LY20-4P-DT1-P1E-BR](#) [02.125.8002.8](#)
[609-3404](#) [61062-3](#) [61082-181009](#) [622-3653LF](#) [63453-116](#) [636-1030](#) [636-1427](#) [636-3427](#) [636-4007](#) [641938-9](#) [641991-4](#) [644827-2](#) [65817-](#)
[010LF](#) [65817-015LF](#) [65863-015LF](#) [66207-023LF](#) [67095-007LF](#) [67601157](#) [68645-018](#) [68648-049](#) [70.362.1628.0](#) [70-4210](#) [70-4226B](#) [70-](#)
[4853B](#) [707-5020](#) [707-5028](#) [71.350.2428.0](#) [71918-208LF](#) [71961-016LF](#) [733-134](#) [733-162](#) [754199-000](#) [760-3052](#) [787-8014-00](#) [79531-3000](#)
[FCN-360C032-B](#) [FCN-367T-T012/H](#) [FCN-723D010/2](#) [80.063.4001.1](#) [800-90-001-10-001000](#) [800-90-010-10-002000](#) [801-43-002-10-013000](#)