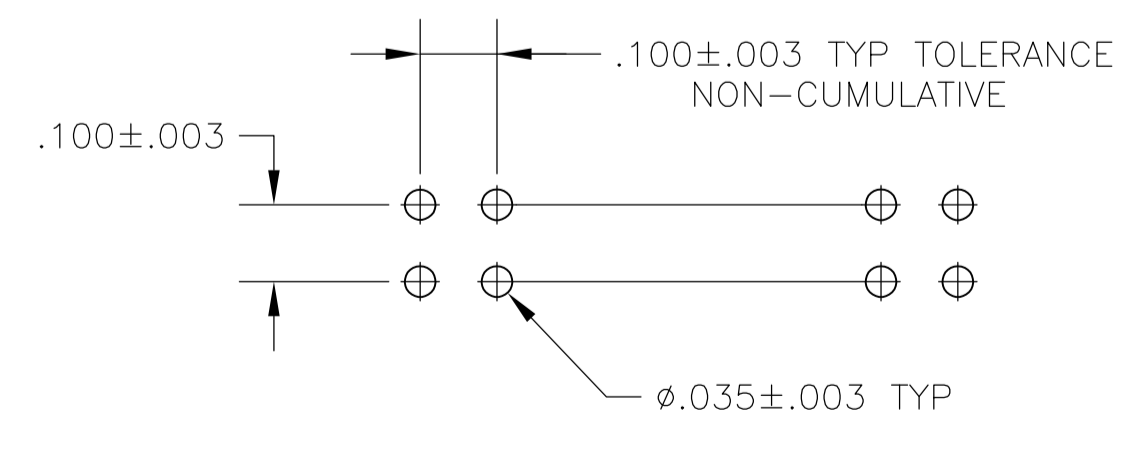
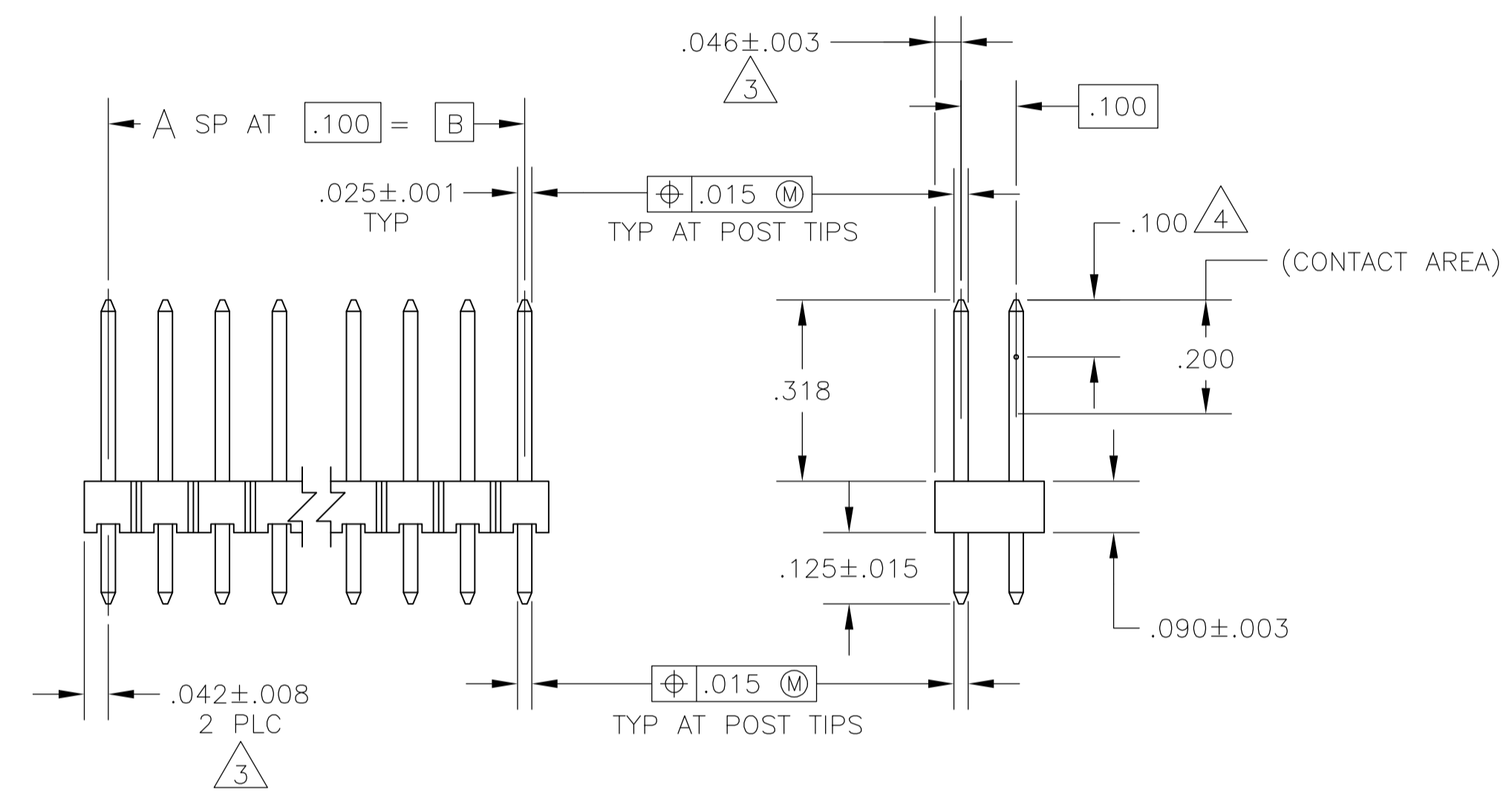
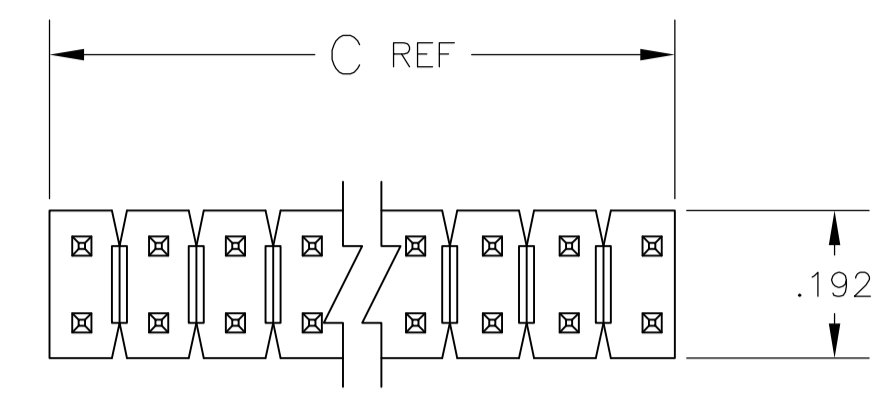


LOC		DIST		REVISIONS				
AD	00	REV	BY	DESCRIPTION	DATE	OWN	APVD	
G		REVISED	PER	ECO-14-000068	23APR2014	NK	MM	

- 1 ASSEMBLY MAY BE BROKEN TO THE DESIRED NUMBER OF POSITIONS
- 2 TRUE POSITION TOLERANCE OF THE POST TIPS APPLIES WHEN THE HEADER IS HELD FLAT AGAINST THE PRINTED CIRCUIT BOARD
- 3 THE NOTED DIMENSIONS APPLY AT THE INTERSECTION OF THE POST AND HOUSING
- 4 POINT OF MEASUREMENT FOR PLATING THICKNESS
- 5 OBSOLETE PARTS: OBSOLETE CIS STREAMLINING PER D.RENAUD/D.SINISI



RECOMMENDED HOLE LAYOUT

	C	B	A	NO OF POSN	PART NUMBER
	3.984	3.900	39	80	4-102973-0
	3.884	3.800	38	78	3-102973-9
	3.784	3.700	37	76	3-102973-8
	3.684	3.600	36	74	3-102973-7
	3.584	3.500	35	72	3-102973-6
	3.484	3.400	34	70	3-102973-5
	3.384	3.300	33	68	3-102973-4
	3.284	3.200	32	66	3-102973-3
	3.184	3.100	31	64	3-102973-2
	3.084	3.000	30	62	3-102973-1
	2.984	2.900	29	60	3-102973-0
	2.884	2.800	28	58	2-102973-9
	2.784	2.700	27	56	2-102973-8
	2.684	2.600	26	54	2-102973-7
	2.584	2.500	25	52	2-102973-6
	2.484	2.400	24	50	2-102973-5
	2.384	2.300	23	48	2-102973-4
	2.284	2.200	22	46	2-102973-3
	2.184	2.100	21	44	2-102973-2
	2.084	2.000	20	42	2-102973-1
	1.984	1.900	19	40	2-102973-0
	1.884	1.800	18	38	1-102973-9
	1.784	1.700	17	36	1-102973-8
	1.684	1.600	16	34	1-102973-7
	1.584	1.500	15	32	1-102973-6
	1.484	1.400	14	30	1-102973-5
	1.384	1.300	13	28	1-102973-4
	1.284	1.200	12	26	1-102973-3
	1.184	1.100	11	24	1-102973-2
	1.084	1.000	10	22	1-102973-1
	.984	.900	9	20	1-102973-0
	.884	.800	8	18	102973-9
	.784	.700	7	16	102973-8
	.684	.600	6	14	102973-7
	.584	.500	5	12	102973-6
	.484	.400	4	10	102973-5
	.384	.300	3	8	102973-4
	.284	.200	2	6	102973-3
	.184	.100	1	4	102973-2
	.084	—	—	2	102973-1

THIS DRAWING IS A CONTROLLED DOCUMENT.

DIMENSIONS: INCHES

TOLERANCES UNLESS OTHERWISE SPECIFIED:

0 PLC	± .005
1 PLC	± .005
2 PLC	± .005
3 PLC	± .005
4 PLC	± .005
ANGLES	± .005

MATERIAL: HOUSING: FLAME RETARDANT THERMOPLASTIC; COLOR-BACK; POSTS: COPPER ALLOY. FINISH: POSTS: .00015 GOLD ON CONTACT AREA; .00015-.00020 WHITE TIN-LEAD ON SOLDER TAIL; ALL OVER: .00050 NICKEL.

DIN H MOLL 15OCT87
CHK T. CLARK 20OCT87
APVD T. CLARK 20OCT87

NAME: HEADER ASSY, MOD II, BREAKAWAY, DOUBLE ROW, .100X.100CL, VERTICAL, WITH .025 SQ POSTS

SIZE: A1
CAGE CODE: 00779
DRAWING NO: 102973

WEIGHT: —

CUSTOMER DRAWING

SCALE: 4:1

SHEET 1 OF 1

REV G

X-ON Electronics

Largest Supplier of Electrical and Electronic Components

Click to view similar products for [Headers & Wire Housings](#) category:

Click to view products by [TE Connectivity](#) manufacturer:

Other Similar products are found below :

[892-18-020-10-001101](#) [58102-G61-06LF](#) [582553-1](#) [0009485154](#) [009176003701906](#) [0050291907](#) [LY20-4P-DT1-P1E-BR](#) [02.125.8002.8](#)
[609-3404](#) [61062-3](#) [61082-181009](#) [622-3653LF](#) [63453-116](#) [636-1030](#) [636-1427](#) [636-3427](#) [636-4007](#) [641938-9](#) [641991-4](#) [644827-2](#) [65817-](#)
[010LF](#) [65817-015LF](#) [65863-015LF](#) [66207-023LF](#) [67095-007LF](#) [67601157](#) [68645-018](#) [68648-049](#) [70.362.1628.0](#) [70-4210](#) [70-4226B](#) [70-](#)
[4853B](#) [707-5020](#) [707-5028](#) [71.350.2428.0](#) [71918-208LF](#) [71961-016LF](#) [733-134](#) [733-162](#) [754199-000](#) [760-3052](#) [787-8014-00](#) [79531-3000](#)
[FCN-360C032-B](#) [FCN-367T-T012/H](#) [FCN-723D010/2](#) [80.063.4001.1](#) [800-90-001-10-001000](#) [800-90-010-10-002000](#) [801-43-002-10-013000](#)