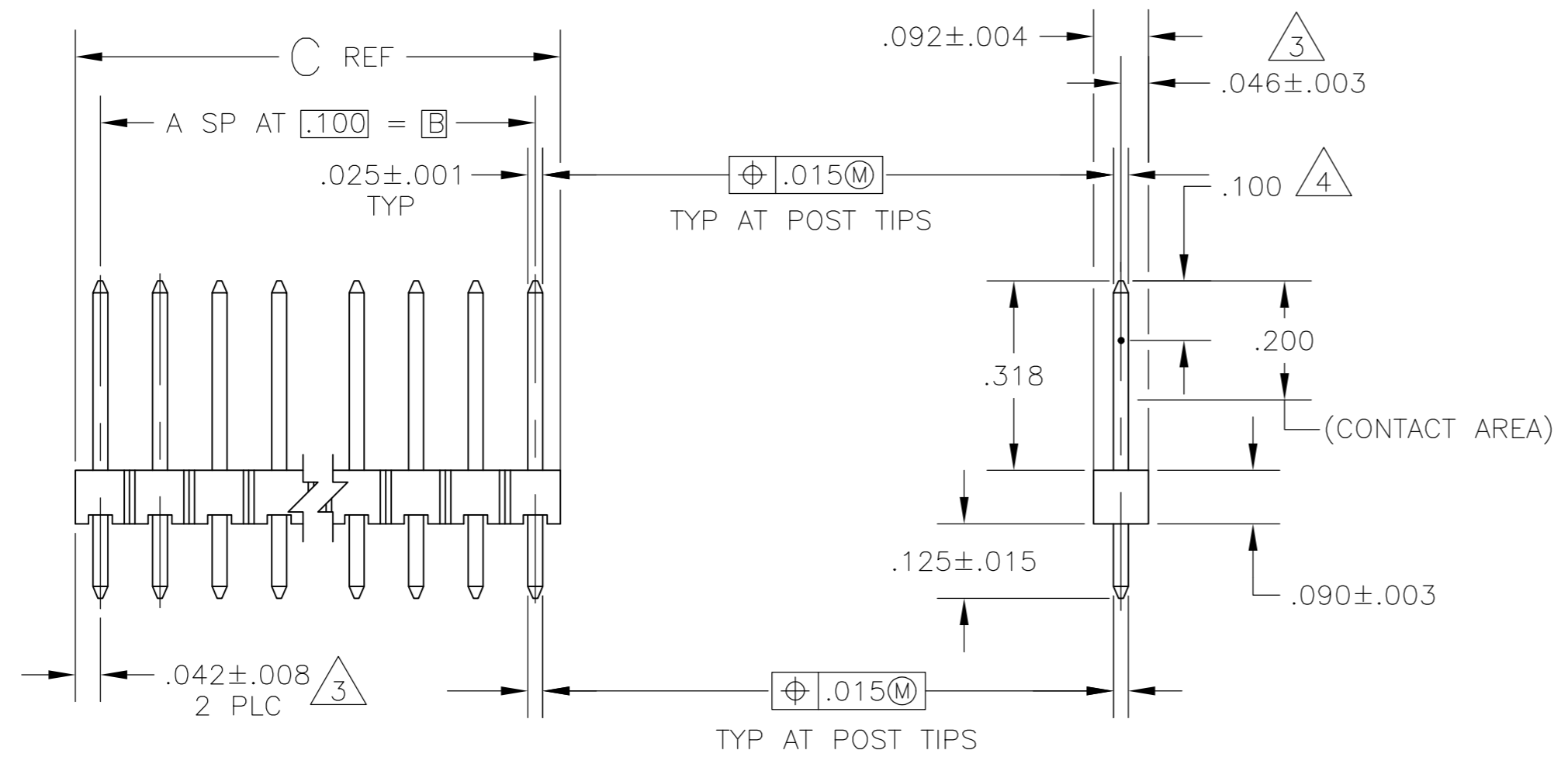


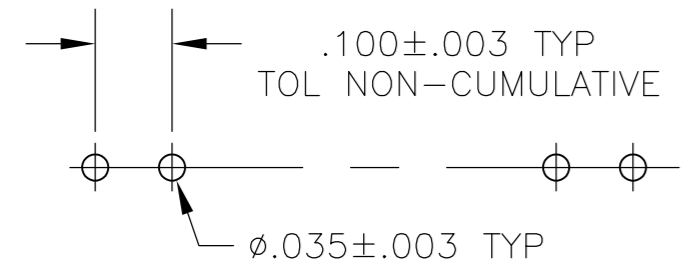
THIS DRAWING IS UNPUBLISHED. RELEASED FOR PUBLICATION  
 © COPYRIGHT - By - ALL RIGHTS RESERVED.

LOC	DIST	REVISIONS					
AD	00	P	LTR	DESCRIPTION	DATE	DWN	APVD
		H		REVISED PER ECO-14-000068	23APR2014	NK	MM

- 1 ASSEMBLY MAY BE BROKEN TO THE DESIRED NUMBER OF POSITIONS
- 2 TRUE POSITION TOLERANCE OF THE POST TIPS APPLIES WHEN THE HEADERS ARE HELD FLAT AGAINST THE PRINTED CIRCUIT BOARD
- 3 THE NOTED DIMENSIONS APPLY AT THE INTERSECTION OF THE POST AND HOUSING
- 4 POINT OF MEASUREMENT FOR PLATING THICKNESS
- 5 OBSOLETE PARTS: OBSOLETE CIS STREAMLINING PER D.RENAUD/D.SINISI



	C	B	A	NO OF POSN	PART NUMBER
5 OBSOLETE	3.984	3.900	39	40	4-102976-0
5 OBSOLETE	3.884	3.800	38	39	3-102976-9
5 OBSOLETE	3.784	3.700	37	38	3-102976-8
5 OBSOLETE	3.684	3.600	36	37	3-102976-7
5 OBSOLETE	3.584	3.500	35	36	3-102976-6
5 OBSOLETE	3.484	3.400	34	35	3-102976-5
5 OBSOLETE	3.384	3.300	33	34	3-102976-4
5 OBSOLETE	3.284	3.200	32	33	3-102976-3
5 OBSOLETE	3.184	3.100	31	32	3-102976-2
5 OBSOLETE	3.084	3.000	30	31	3-102976-1
5 OBSOLETE	2.984	2.900	29	30	3-102976-0
5 OBSOLETE	2.884	2.800	28	29	2-102976-9
5 OBSOLETE	2.784	2.700	27	28	2-102976-8
5 OBSOLETE	2.684	2.600	26	27	2-102976-7
5 OBSOLETE	2.584	2.500	25	26	2-102976-6
5 OBSOLETE	2.484	2.400	24	25	2-102976-5
5 OBSOLETE	2.384	2.300	23	24	2-102976-4
5 OBSOLETE	2.284	2.200	22	23	2-102976-3
5 SUPERSEDED BY 7-146277-2	2.184	2.100	21	22	2-102976-2
5 OBSOLETE	2.084	2.000	20	21	2-102976-1
5 OBSOLETE	1.984	1.900	19	20	2-102976-0
5 OBSOLETE	1.884	1.800	18	19	1-102976-9
5 OBSOLETE	1.784	1.700	17	18	1-102976-8
5 OBSOLETE	1.684	1.600	16	17	1-102976-7
5 OBSOLETE	1.584	1.500	15	16	1-102976-6
5 OBSOLETE	1.484	1.400	14	15	1-102976-5
5 SUPERSEDED BY 6-146277-2	1.384	1.300	13	14	1-102976-4
5 SUPERSEDED BY 6-146277-2	1.284	1.200	12	13	1-102976-3
5 SUPERSEDED BY 6-146277-2	1.184	1.100	11	12	1-102976-2
5 SUPERSEDED BY 6-146277-2	1.084	1.000	10	11	1-102976-1
5 SUPERSEDED BY 6-146277-2	.984	.900	9	10	1-102976-0
5 SUPERSEDED BY 6-146277-2	.884	.800	8	9	102976-9
5 SUPERSEDED BY 6-146277-2	.784	.700	7	8	102976-8
5 SUPERSEDED BY 5-146277-7	.684	.600	6	7	102976-7
5 SUPERSEDED BY 5-146277-7	.584	.500	5	6	102976-6
5 SUPERSEDED BY 5-146277-7	.484	.400	4	5	102976-5
5 SUPERSEDED BY 5-146277-7	.384	.300	3	4	102976-4
5 SUPERSEDED BY 5-146277-7	.284	.200	2	3	102976-3
5 SUPERSEDED BY 5-146277-7	.184	.100	1	2	102976-2
5 SUPERSEDED BY 5-146277-7	.084	—	—	1	102976-1



RECOMMENDED HOLE LAYOUT

THIS DRAWING IS A CONTROLLED DOCUMENT.		DWN H MOLL 09OCT87	TE Connectivity		
DIMENSIONS: INCHES		CHK T. CLARK 12OCT87			
TOLERANCES UNLESS OTHERWISE SPECIFIED:		APVD T. CLARK 13OCT87	NAME		
0 PLC ± - 1 PLC ± - 2 PLC ± - 3 PLC ± .005 4 PLC ± - ANGLES ± -		PRODUCT SPEC	HEADER ASSY, MOD II, BREAKAWAY, SINGLE ROW, .100 CL, VERTICAL, WITH .025 SQUARE POSTS		
MATERIAL HOUSING: FLAME RETARDANT THERMOPLASTIC; COLOR-BLACK; POSTS: COPPER ALLOY		APPLICATION SPEC	SIZE A2	CAGE CODE 00779	DRAWING NO C=102976
FINISH POSTS: .00030 GOLD ON CONTACT AREA, .000100-.000200 MATTE TIN-LEAD ON SOLDER TAIL, ALL OVER .00050 NICKEL		WEIGHT -	RESTRICTED TO	SCALE 4:1	SHEET 1 of 1
CUSTOMER DRAWING			REV H		

## X-ON Electronics

Largest Supplier of Electrical and Electronic Components

*Click to view similar products for [Headers & Wire Housings](#) category:*

*Click to view products by [TE Connectivity](#) manufacturer:*

Other Similar products are found below :

[892-18-020-10-001101](#) [58102-G61-06LF](#) [582553-1](#) [0009485154](#) [009176003701906](#) [0050291907](#) [LY20-4P-DT1-P1E-BR](#) [02.125.8002.8](#)  
[609-3404](#) [61062-3](#) [61082-181009](#) [622-3653LF](#) [63453-116](#) [636-1030](#) [636-1427](#) [636-3427](#) [636-4007](#) [641938-9](#) [641991-4](#) [644827-2](#) [65817-010LF](#) [65817-015LF](#) [65863-015LF](#) [66207-023LF](#) [67095-007LF](#) [67601157](#) [68645-018](#) [68648-049](#) [70.362.1628.0](#) [70-4210](#) [70-4226B](#) [70-4853B](#) [707-5020](#) [707-5028](#) [71.350.2428.0](#) [71918-208LF](#) [71961-016LF](#) [733-134](#) [733-162](#) [754199-000](#) [760-3052](#) [787-8014-00](#) [79531-3000](#)  
[FCN-360C032-B](#) [FCN-367T-T012/H](#) [FCN-723D010/2](#) [80.063.4001.1](#) [800-90-001-10-001000](#) [800-90-010-10-002000](#) [801-43-002-10-013000](#)