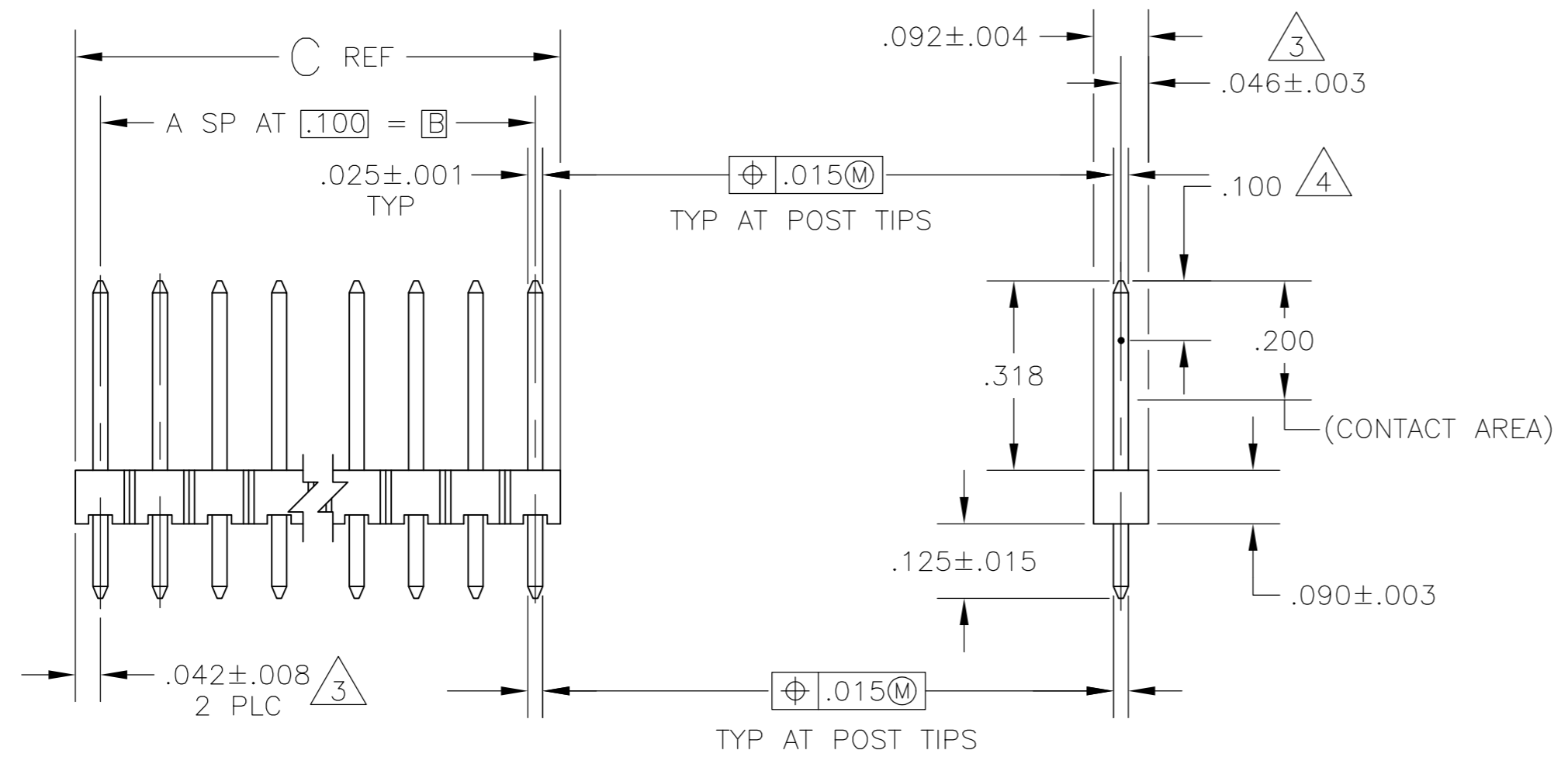


THIS DRAWING IS UNPUBLISHED. RELEASED FOR PUBLICATION
 © COPYRIGHT - By - ALL RIGHTS RESERVED.

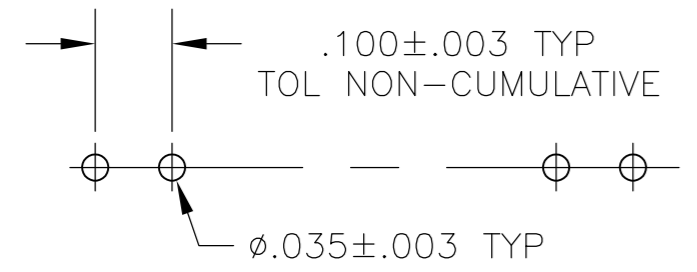
| LOC | DIST | REVISIONS | | | |
|-----|------|---------------------------|-----------|-----|------|
| P | LTR | DESCRIPTION | DATE | DWN | APVD |
| AD | 00 | REVISED PER ECO-14-000068 | 23APR2014 | NK | MM |

- 1 ASSEMBLY MAY BE BROKEN TO THE DESIRED NUMBER OF POSITIONS
- 2 TRUE POSITION TOLERANCE OF THE POST TIPS APPLIES WHEN THE HEADERS ARE HELD FLAT AGAINST THE PRINTED CIRCUIT BOARD
- 3 THE NOTED DIMENSIONS APPLY AT THE INTERSECTION OF THE POST AND HOUSING
- 4 POINT OF MEASUREMENT FOR PLATING THICKNESS
- 5 OBSOLETE PARTS: OBSOLETE CIS STREAMLINING PER D.RENAUD/D.SINISI



| 5 | C | B | A | NO OF POSN | PART NUMBER |
|---|-------|-------|----|------------|-------------|
| | 3.984 | 3.900 | 39 | 40 | 4-102976-0 |
| | 3.884 | 3.800 | 38 | 39 | 3-102976-9 |
| | 3.784 | 3.700 | 37 | 38 | 3-102976-8 |
| | 3.684 | 3.600 | 36 | 37 | 3-102976-7 |
| | 3.584 | 3.500 | 35 | 36 | 3-102976-6 |
| | 3.484 | 3.400 | 34 | 35 | 3-102976-5 |
| | 3.384 | 3.300 | 33 | 34 | 3-102976-4 |
| | 3.284 | 3.200 | 32 | 33 | 3-102976-3 |
| | 3.184 | 3.100 | 31 | 32 | 3-102976-2 |
| | 3.084 | 3.000 | 30 | 31 | 3-102976-1 |
| | 2.984 | 2.900 | 29 | 30 | 3-102976-0 |
| | 2.884 | 2.800 | 28 | 29 | 2-102976-9 |
| | 2.784 | 2.700 | 27 | 28 | 2-102976-8 |
| | 2.684 | 2.600 | 26 | 27 | 2-102976-7 |
| | 2.584 | 2.500 | 25 | 26 | 2-102976-6 |
| | 2.484 | 2.400 | 24 | 25 | 2-102976-5 |
| | 2.384 | 2.300 | 23 | 24 | 2-102976-4 |
| | 2.284 | 2.200 | 22 | 23 | 2-102976-3 |
| | 2.184 | 2.100 | 21 | 22 | 2-102976-2 |
| | 2.084 | 2.000 | 20 | 21 | 2-102976-1 |
| | 1.984 | 1.900 | 19 | 20 | 2-102976-0 |
| | 1.884 | 1.800 | 18 | 19 | 1-102976-9 |
| | 1.784 | 1.700 | 17 | 18 | 1-102976-8 |
| | 1.684 | 1.600 | 16 | 17 | 1-102976-7 |
| | 1.584 | 1.500 | 15 | 16 | 1-102976-6 |
| | 1.484 | 1.400 | 14 | 15 | 1-102976-5 |
| | 1.384 | 1.300 | 13 | 14 | 1-102976-4 |
| | 1.284 | 1.200 | 12 | 13 | 1-102976-3 |
| | 1.184 | 1.100 | 11 | 12 | 1-102976-2 |
| | 1.084 | 1.000 | 10 | 11 | 1-102976-1 |
| | .984 | .900 | 9 | 10 | 1-102976-0 |
| | .884 | .800 | 8 | 9 | 102976-9 |
| | .784 | .700 | 7 | 8 | 102976-8 |
| | .684 | .600 | 6 | 7 | 102976-7 |
| | .584 | .500 | 5 | 6 | 102976-6 |
| | .484 | .400 | 4 | 5 | 102976-5 |
| | .384 | .300 | 3 | 4 | 102976-4 |
| | .284 | .200 | 2 | 3 | 102976-3 |
| | .184 | .100 | 1 | 2 | 102976-2 |
| | .084 | — | — | 1 | 102976-1 |

5 SUPERSEDED BY 7-146277-2
 5 OBSOLETE
 5 SUPERSEDED BY 6-146277-2
 5 SUPERSEDED BY 5-146277-7



RECOMMENDED HOLE LAYOUT

| | | | | | |
|--|--|-----------------------------|---|--------------------|------------------------|
| THIS DRAWING IS A CONTROLLED DOCUMENT. | | DWN H MOLL 09OCT87 | TE Connectivity | | |
| DIMENSIONS: INCHES | | CHK T. CLARK 12OCT87 | | | |
| TOLERANCES UNLESS OTHERWISE SPECIFIED: | | APVD T. CLARK 13OCT87 | NAME | | |
| 0 PLC ± - 1 PLC ± - 2 PLC ± - 3 PLC ± .005 4 PLC ± - ANGLES ± - | | PRODUCT SPEC | HEADER ASSY, MOD II, BREAKAWAY, SINGLE ROW, .100 CL, VERTICAL, WITH .025 SQUARE POSTS | | |
| MATERIAL HOUSING: FLAME RETARDANT THERMOPLASTIC; COLOR-BLACK; POSTS: COPPER ALLOY | | APPLICATION SPEC | SIZE A2 | CAGE CODE 00779 | DRAWING NO C-102976 |
| FINISH POSTS: .00030 GOLD ON CONTACT AREA, .00100-.00200 MATTE TIN-LEAD ON SOLDER TAIL, ALL OVER .00050 NICKEL | | WEIGHT - | RESTRICTED TO | SCALE 4:1 | SHEET 1 of 1 |
| CUSTOMER DRAWING | | | REV H | | |

X-ON Electronics

Largest Supplier of Electrical and Electronic Components

Click to view similar products for [Headers & Wire Housings](#) category:

Click to view products by [TE Connectivity](#) manufacturer:

Other Similar products are found below :

[95000-104TRLF](#) [10135584-644402LF](#) [DF62W-EP2022PCA](#) [95000-106TRLF](#) [DF62W-2022SCA](#) [DF62W-EP2022PC](#) [2203348](#) [DF62W-2022SC](#) [1084018](#) [1029039](#) [1084017](#) [802-10-012-10-002000](#) [1112640](#) [1112639](#) [000-34000](#) [0009482033](#) [0009507031](#) [57102-S06-03LF](#) [57202-S52-04LF](#) [PCN6-15S-2.5E](#) [0039019024](#) [58102-G61-06LF](#) [582553-1](#) [0009508121](#) [0050291907](#) [018731A](#) [LY20-4P-DT1-P1E-BR](#) [02.125.8002.8](#) [60101931](#) [60598-1 \(Cut Strip\)](#) [M1625-3R/100](#) [61062-3](#) [61082-181009](#) [636-1427](#) [638009-1](#) [641938-9](#) [641991-4](#) [644168-1](#) [647662-1](#) [65039-019ELF](#) [65817-002LF](#) [65817-015LF](#) [65863-015LF](#) [66207-023LF](#) [67016-026LF](#) [67046-001LF](#) [67095-007LF](#) [68002-116](#) [68016-236H](#) [68648-049](#)