

Thermofit® Molded Parts

Specification Control Drawing

Part Number: 102A962
Description: Switch Cover

Notes:

- All dimensions are in $\frac{\text{Inches}}{\text{[Millimeters]}}$
- Dimensions appearing in table are as follows:
 a - as supplied
 b - after unrestricted recovery
- Coating is optional. As supplied dimensions appearing in table are for uncoated parts. When coating is added, entry diameters will be reduced by .06 max.
- Standard color is grey. Other colors available upon request.

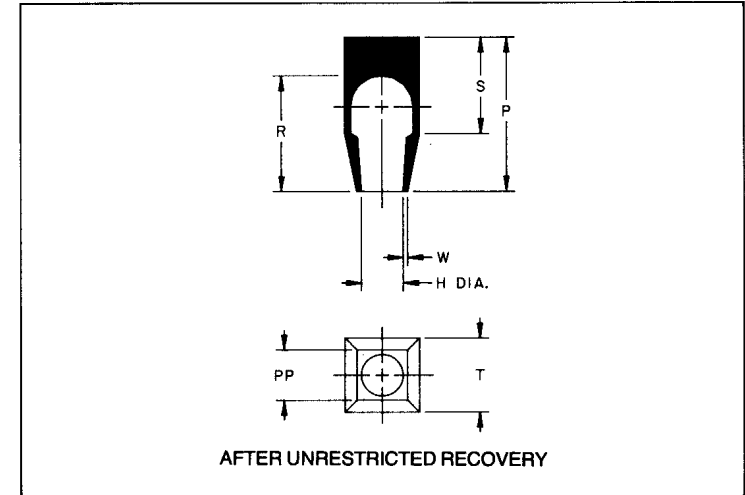
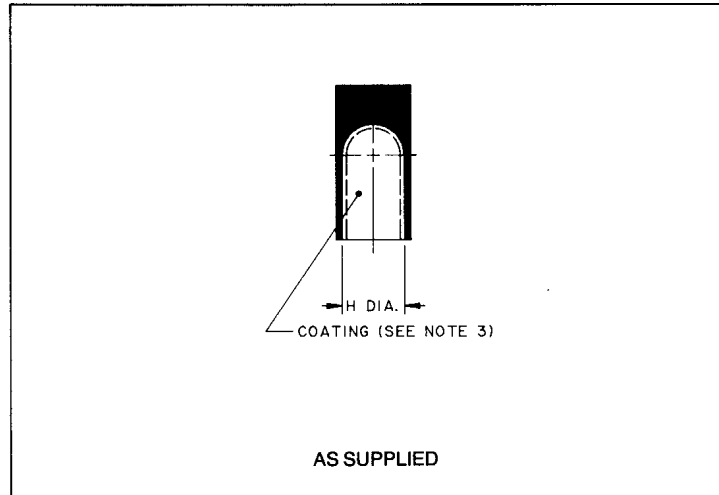


Table of Dimensions									
Part Number	H		P	R	S	T	PP	W	Weight Nom
	Min a	Max b	±10% b	±10% b	Ref b	±10% b	±10% b	±20% b	
102A962	$\frac{.50}{[12,7]}$	$\frac{.28}{[7,1]}$	$\frac{1.04}{[26,4]}$	$\frac{.78}{[19,8]}$	$\frac{.65}{[16,5]}$	$\frac{.49}{[12,4]}$	$\frac{.31}{[7,9]}$	$\frac{.03}{[0,76]}$	$\frac{.007}{[3,0]}$

Raychem

Raychem Corporation
 300 Constitution Drive
 Menlo Park, California 94025
 415) 361 6055

Revision: **B**
 Date: **3-8-90**

Part Number: 102A962
Description: Switch Cover

Thermofit® Molded Parts

Specification Control Drawing

Part Number: 102A962
Description: Switch Cover

Compatability Chart

Material Dash No.	Material Description	RT Spec	Coating Slash No.	Coating S No.	Coating Description
- 3	Polyolefin, Semi-Rigid	RT-301	/42	S-1017	Adhesive

Ordering Information:

102A962 — X — XX / XX

Base part number

Material dash number
 (see compatability chart)

Modification number
 (if necessary, see front of SCD binder
 for a complete modification list)

Adhesive slash number
 (if necessary, see compatability chart)

This drawing is subject to change without notice; consult your nearest field representative for current revision.

Raychem

Raychem Corporation
 300 Constitution Drive
 Menlo Park, California 94025
 415) 361 6055

Revision: **B**
 Date: **3-8-90**

Part Number: 102A962
Description: Switch Cover

X-ON Electronics

Largest Supplier of Electrical and Electronic Components

Click to view similar products for [Cable Mounting & Accessories](#) category:

Click to view products by [TE Connectivity](#) manufacturer:

Other Similar products are found below :

[582603-1](#) [009333-000](#) [727844N003](#) [747](#) [809090N001](#) [843188-000](#) [8666](#) [967279N002](#) [DB-11](#) [1300840039](#) [1300900096](#) [1301800416](#)
[1302264450](#) [1300830184](#) [1300830729](#) [1300900039](#) [1301580036](#) [1301850553](#) [1301860939](#) [1302000074](#) [1302261315](#) [1302264431](#)
[1337706-2](#) [APA18-AK](#) [1724](#) [1-787307-1](#) [185491N001](#) [1868](#) [HP-6N](#) [C-202-C](#) [202C221-13-0](#) [CA7308-000](#) [8S23-75FR-CS8184](#) [2684](#) [9648](#)
[3089](#) [988382-000](#) [A72821-000](#) [AA401](#) [173506-000](#) [1823](#) [202C292-13-0](#) [202C302-13-0](#) [2109](#) [300625](#) [3330](#) [3412](#) [356247-1](#) [M9142](#)
[M9143](#)