

Thermofit® Molded Parts Specification Control Drawing

Part Number: 102A992
Description: Switch Cover

Notes:

- All dimensions are in $\frac{\text{Inches}}{\text{[Millimeters]}}$
- Dimensions appearing in table are as follows:
a - as supplied
b - after unrestricted recovery
- Coating is optional. As supplied dimensions appearing in table are for uncoated parts. When coating is added, entry diameters will be reduced by .06 max.
- This part fits MS 24523 switch or equivalent shaped bat handle switch.
- Standard color is grey. Other colors available upon request.

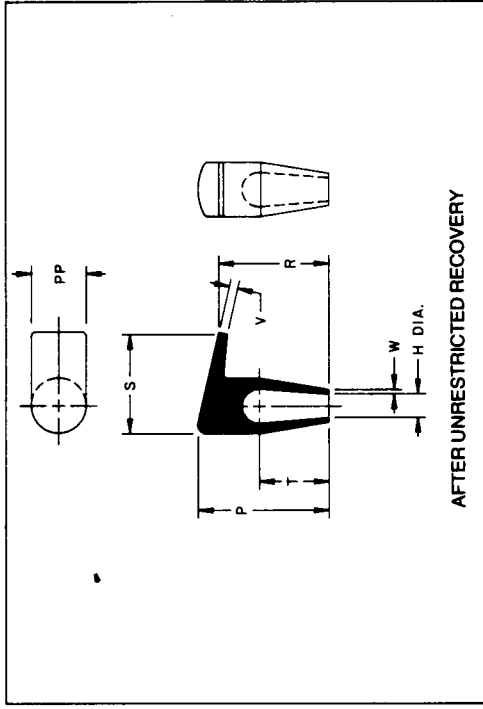
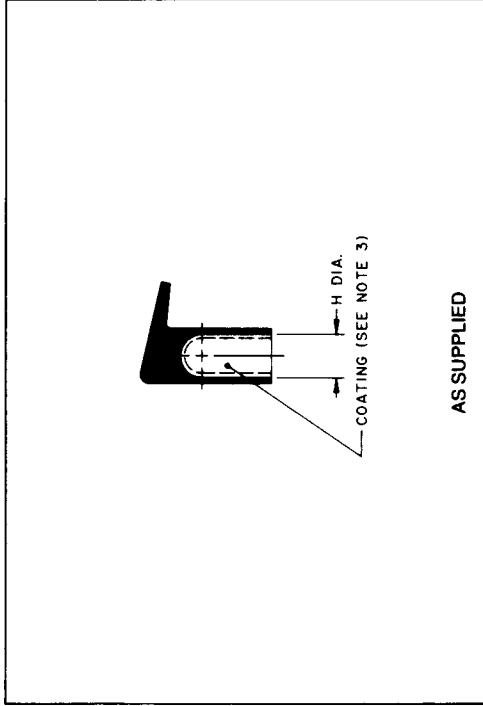


Table of Dimensions

Part Number	H		P ±10% b	R ±10% b	S Ref b	T ±10% b	PP ±10% b	V ±20% b	W ±10% b	Weight Norm
	Min a	Max b								
102A992	.30 [7.6]	.18 [4.6]	.92 [23.4]	.76 [19.3]	.70 [17.8]	.47 [11.9]	.38 [9.7]	.06 [1.52]	.04 [1.02]	.002 [1.0]

Raychem

Raychem Corporation
300 Constitution Drive
Menlo Park, California 94025
415) 361 6055

Revision: **B**
Date: **3-8-90**

Part Number: 102A992
Description: Switch Cover

Thermofit® Molded Parts Specification Control Drawing

Part Number: 102A992
Description: Switch Cover

Compatibility Chart					
Material Dash No.	Material Description	RT Spec	Coating Slash No.	Coating S No.	Coating Description
-3	Polyolefin, Semi-Rigid	RT-301	/42	S-1017	Adhesive

Ordering Information:

102A992 - X - XX / XX

Base part number _____

Material dash number _____
(see compatibility chart)

Modification number _____
(if necessary, see front of SCD binder
for a complete modification list)

Adhesive slash number _____
(if necessary, see compatibility chart)

This drawing is subject to change without notice; consult your nearest field representative for current revision.

Raychem
Raychem Corporation
300 Constitution Drive
Menlo Park, California 94025
415) 361 6055

Revision: **B**
Date: **3-8-90**

Part Number: 102A992
Description: Switch Cover

X-ON Electronics

Largest Supplier of Electrical and Electronic Components

Click to view similar products for [Cable Mounting & Accessories](#) category:

Click to view products by [TE Connectivity](#) manufacturer:

Other Similar products are found below :

[582603-1](#) [009333-000](#) [727844N003](#) [747](#) [809090N001](#) [843188-000](#) [8666](#) [967279N002](#) [DB-11](#) [1300840039](#) [1300900096](#) [1301800416](#)
[1302264450](#) [1300830184](#) [1300830729](#) [1300900039](#) [1301580036](#) [1301850553](#) [1301860939](#) [1302000074](#) [1302261315](#) [1302264431](#)
[1337706-2](#) [APA18-AK](#) [1724](#) [1-787307-1](#) [185491N001](#) [1868](#) [HP-6N](#) [C-202-C](#) [202C221-13-0](#) [CA7308-000](#) [8S23-75FR-CS8184](#) [2684](#) [9648](#)
[3089](#) [988382-000](#) [A72821-000](#) [AA401](#) [173506-000](#) [1823](#) [202C292-13-0](#) [202C302-13-0](#) [2109](#) [300625](#) [3330](#) [3412](#) [356247-1](#) [M9142](#)
[M9143](#)